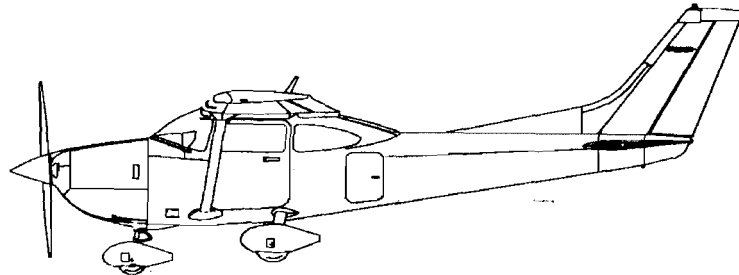


**Pilot's Operating Handbook**  
and  
FAA Approved Airplane Flight Manual

# SkyLane



**Model 182T**  
**NAV III AVIONICS OPTION**

Serial No. 18281780  
Registration No. N780CP

This publication includes the material required to be furnished to the pilot by 14 CFR Part 23.



**APPROVED BY**  
FAA APPROVED UNDER FAR 21 SUBPART J  
The Cessna Aircraft Co.  
Delegation Option Authorization DOA-100129-CE

*Michael W. Kelly* Executive Engineer  
*JD*

COPYRIGHT © 2004  
CESSNA AIRCRAFT COMPANY  
WICHITA, KANSAS USA

**DATE OF APPROVAL** 03-JUNE 2004

182TPHAUS-04

ORIGINAL ISSUE 3 JUNE 2004  
REVISION 4 22 DECEMBER 2005 U.S.

## WARNING

This document was converted to text via OCR. Some text may not have converted properly. Please verify any critical data. Use at your own risk.

B3254

**THIS MANUAL WAS PROVIDED FOR THE  
AIRPLANE IDENTIFIED ON THE TITLE  
PAGE ON** 04/04/2006  
**SUBSEQUENT REVISIONS SUPPLIED BY  
CESSNA AIRCRAFT COMPANY MUST BE  
PROPERLY INSERTED.**

  
\_\_\_\_\_  
Cessna Aircraft Company

**Pilot's Operating Handbook  
and  
FAA Approved Airplane Flight Manual**

**182T  
NAV III AVIONICS OPTION**

**Original Issue - 3 June 2004**

**Revision 4 - 22 December 2005**

PART NUMBER: 182TPHAUS-04



## CONGRATULATIONS

Congratulations on your purchase and welcome to Cessna ownership! Your Cessna has been designed and constructed to give you the most in performance, value and comfort.

This Pilot's Operating Handbook has been prepared as a guide to help you get the most utility from your airplane. It contains information about your airplane's equipment, operating procedures, performance and suggested service and care. Please study it carefully and use it as a reference.

The worldwide Cessna Organization and Cessna Customer Service are prepared to serve you. The following services are offered by each Cessna Service Station:

- THE CESSNA AIRPLANE WARRANTIES, which provide coverage for parts and labor, are upheld through Cessna Service Stations worldwide. Warranty provisions and other important information are contained in the Customer Care Program Handbook supplied with your airplane. The Customer Care Card assigned to you at delivery will establish your eligibility under warranty and should be presented to your local Cessna Service Station at the time of warranty service.
- FACTORY TRAINED PERSONNEL to provide you with courteous, expert service.
- FACTORY APPROVED SERVICE EQUIPMENT to provide you efficient and accurate workmanship.
- A STOCK OF GENUINE CESSNA SERVICE PARTS are available when you need them.
- THE LATEST AUTHORITATIVE INFORMATION FOR SERVICING CESSNA AIRPLANES. Cessna Service Stations have all of the current Maintenance Manuals, Illustrated Parts Catalogs and various other support publications produced by Cessna Aircraft Company.

A current Cessna Service Station Directory accompanies your new airplane. The Directory is revised annually, and a current copy can be obtained from your nearest Cessna Service Station.

We urge all Cessna owners/operators to utilize the benefits available within the Cessna Organization.

# PERFORMANCE - SPECIFICATIONS

## SPEED

Maximum at Sea Level .....	150 KNOTS
Cruise, 80% Power at 7000 Feet .....	145 KNOTS

CRUISE: Recommended lean mixture with fuel allowance for engine start, taxi, takeoff, climb and 45 minutes reserve.

80% Power at 7000 Feet .....	Range	773 NM
87 Gallons Usable Fuel .....	Time	5.4 HOURS
75% Power at 8000 Feet .....	Range	813 NM
87 Gallons Usable Fuel .....	Time	5.8 HOURS
Max Range at 10,000 Feet, 55% Power .....	Range	930 NM
87 Gallons Usable Fuel .....	Time	7.6 HOURS

RATE-OF-CLIMB AT SEA LEVEL ..... 924 FPM

SERVICE CEILING ..... 18,100 FEET

## TAKEOFF PERFORMANCE

Ground Roll .....	795 FEET
Total Distance Over A 50 Foot Obstacle .....	1514 FEET

## LANDING PERFORMANCE

Ground Roll .....	590 FEET
Total Distance Over A 50 Foot Obstacle .....	1350 FEET

## STALL SPEED (KCAS)

Flaps Up, Power Off .....	54 KCAS
Flaps Down, Power Off .....	49 KCAS

## MAXIMUM WEIGHT

Ramp .....	3110 POUNDS
Takeoff .....	3100 POUNDS
Landing .....	2950 POUNDS

(Continued Next Page)

**PERFORMANCE - SPECIFICATIONS** (Continued)

STANDARD EMPTY WEIGHT . . . . .	1924 POUNDS
MAXIMUM USEFUL LOAD . . . . .	1186 POUNDS
BAGGAGE ALLOWANCE . . . . .	200 POUNDS
WING LOADING Lbs/Sq. Ft. . . . .	17.8
POWER LOADING Lbs/HP . . . . .	13.5
FUEL CAPACITY . . . . .	92 GALLONS
OIL CAPACITY . . . . .	9 QUARTS
ENGINE: Textron Lycoming . . . . . 230 BHP at 2400 RPM	IO-540-AB1A5
PROPELLER: 3-Bladed, Constant Speed, Diameter	79 INCHES

**NOTE**

\* Speed performance and range are shown for an airplane equipped with the standard wheel and brake fairings. These fairings increase the speeds approximately 3 knots over an airplane without the fairings.

The above performance figures are based on the indicated weights, standard atmospheric conditions, level, hard-surface dry runways and no wind. They are calculated values derived from flight tests conducted by Cessna Aircraft Company under carefully documented conditions and will vary with individual airplanes and numerous factors affecting flight performance.

## COVERAGE

The Pilot's Operating Handbook in the airplane at the time of delivery from Cessna Aircraft Company contains information applicable to the Model 182T Nav III airplane by serial number and registration number shown on the Title Page. This handbook is applicable to 182T airplanes equipped with the Nav III Avionics Option. All information is based on data available at the time of publication.

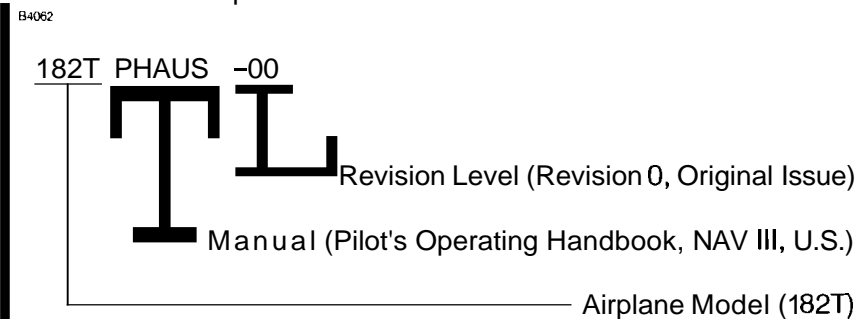
This handbook consists of nine sections that cover all operational aspects of a standard-equipped airplane. Following Section 8 are the Supplements, Section 9, which provide expanded operational procedures for the avionics equipment (both standard and optional), and provides information on special operations.

Supplements are individual documents and may be issued or revised without regard to revision dates which apply to the POH itself. These supplements contain a Log of-Effective Pages, which should be used to determine the status of each supplement.

## ORIGINAL ISSUE AND REVISIONS

This Pilot's Operating Handbook and FAA Approved Airplane Flight Manual is comprised of the original issue and any subsequent (revisions. To make sure that information in this manual is current, the revisions must be incorporated as they are issued. As revisions are issued, they will be noted in the Log of Effective Pages.

The part number of this manual has also been designed to further aid the owner/operator in determining the revision level of any POH. Refer to the example below for a breakdown:



(Continued Next Page)



## **ORIGINAL ISSUE AND REVISIONS** (Continued)

It is the responsibility of the owner to maintain this handbook in a current status when it is being used for operational purposes. Owners should contact their local Cessna Service Station whenever the revision status of their handbook is in question.

Revisions are distributed to owners of U.S. Registered aircraft according to FAA records at the time of revision issuance and to Internationally Registered aircraft according to Cessna Owner Advisory records at the time of issuance. Revisions should be read carefully upon receipt and incorporated into this POH.

## **REVISION FILING INSTRUCTIONS**

### **REGULAR REVISIONS**

Pages to be removed or inserted in the Pilots' Operating Handbook and FAA Approved Airplane Flight Manual are determined by the Log of Effective Pages located in this section. This log contains the page number and revision level for each page within the POH. As revisions to the POH occur, the revision level on effected pages is updated. When two pages display the same page number, the page with the latest revision level shall be inserted into the POH. The revision level on the Log Of Effective Pages shall also agree with the revision level of the page in question.

### **TEMPORARY REVISIONS**

Under limited circumstances, temporary revisions to the POH may be issued. These temporary revisions are to be filed in the applicable section in accordance with filing instructions appearing on the first page of the temporary revision.


The recession of a temporary revision is accomplished by incorporation into the POH at revision time or by a superseding temporary revision. In order to accurately track the status of temporary revisions as they pertain to a POH, a Temporary Revision List will be located previous to this section when required. This list will indicate the date the temporary revision was incorporated into the POH, thus authorizing the recession of the temporary revision.

## IDENTIFYING REVISED MATERIAL

A bar located in the outer margin adjacent to the applicable text will extend the full length of new pages and deleted, new, or revised text added on new or presently existing pages.

A bar in the footer will indicate a revision to the header/footer, a new page, format or spelling/grammar changes and/or that information has slipped to or from that page.

A bar located adjacent to the figure number in the outer margin will be used to indicate that the figure number only has changed.

A miniature pointing hand  will be used to indicate that an illustration has been revised or is all new material. The miniature hand will point to the figure number.

All revised pages will carry the revision number opposite the page number on the applicable page. A list of revisions is located at the beginning of the Log Of Effective Pages.

## WARNINGS, CAUTIONS AND NOTES

Throughout the text, warnings, cautions and notes pertaining to airplane handling and operations are utilized. These adjuncts to the text are used to highlight or emphasize important points.

### WARNING

OPERATING PROCEDURES, TECHNIQUES, ETC.,  
WHICH **WILL** RESULT IN PERSONAL INJURY OR  
LOSS OF **LIFE** IF NOT CAREFULLY FOLLOWED.

### CAUTION

OPERATION PROCEDURES, TECHNIQUES, ETC.,  
WHICH WILL RESULT IN DAMAGE TO  
EQUIPMENT IF NOT CAREFULLY FOLLOWED.

### NOTE

An operating procedure, technique, etc., which is  
considered essential to emphasize.

## LOG OF EFFECTIVE PAGES

Use this page to determine the currency and applicability of your POH.

Pages affected by the current revision are indicated by an asterisk (\*) preceding the pages listed under the Page Number column.

Revision Number	Date	Revision Number	Date
Original	3 June 2004	Revision 3	19 July 2005
Revision 1	24 June 2004	Revision 4	22 December 2005
Revision 2	27 June 2005		

Page Number	Page Status	Revision Number
* Title	Revised	4
Assignment Record	Revised	2
* i/ii	Revised	4
iii thru vii	Revised	2
* viii thru xlixii	Revised	4
xiiiixiv	Revised	2
1-111-2 thru 1-26	Original	0
* 1-27 thru 1-28	Revised	4
* 2-112-2 thru 2-4	Revised	4
2-5	Original	0
* 2-6 thru 2-9	Revised	4
2-10	Revised	3
2-11	Revised	1
* 2-12	Revised	4
2-13	Revised	3
* 2-14 thru 2-20	Revised	4
* 2-2112-22	Added	4

(Continued Next Page)

**LOG OF EFFECTIVE PAGES** (Continued)

Page Number	Page Status	Revision Number
3-1	Revised	2
• 3-2 thru 3-3/3-4	Revised	4
3-5	Revised	2
* 3-6 thru 3-21	Revised	4
3-22	Revised	2
* 3-23	Revised	4
3-24 thru 3-25	Revised	2
* 3-26 thru 3-31	Revised	4
3-32 thru 3-33	Revised	2
* 3-34	Revised	4
3-35	Revised	2
* 3-36	Revised	4
* 4-1 thru 4-48	Revised	4
* 4-49 thru 4-51/4-52	Added	4
5-1/5-2 thru 5-36	Original	0
6-116-2 thru 6-24	Revised	2
6-2516-26	Added	2
* 7-1 thru 7-3/7-4	Revised	4
7-5 thru 7-11	Original	0
* 7-12	Revised	4
7-13 thru 7-14	Original	0
7-15 thru 7-18	Revised	1
7-19 thru 7-26	Original	0
• 7-27	Revised	4
7-28 thru 7-35	Original	0
* 7-36	Revised	4
7-37 thru 7-47	Original	0
* 7-48 thru 7-51	Revised	4
7-52 thru 7-53	Revised	1
• 7-54 thru 7-55	Revised	4

(Continued Next Page)

## LOG OF EFFECTIVE PAGES (Continued)

Page Number	Page Status	Revision Number
7-56 thru 7-57	Original	0
* 7-58 thru 7-59	Revised	4
7-60	Original	0
* 7-61 thru 7-62	Revised	4
7-63 thru 7-66	Original	0
* 7-67 thru 7-75 17-76	Revised	4
* 8-1 thru 8-2	Revised	4
8-3 thru 8-5	Original	0
8-6	Revised	1
8-7 thru 8-8	Original	0
* 8-9 thru 8-12	Revised	4
8-13	Original	0
* 8-14	Revised	4
8-15 thru 8-22	Original	0
* 8-23 thru 8-24	Revised	4
9-1/9-2	Original	0

APPROVED BY ..... FAA APPROVED UNDER 14 CFR PART 21 SUBPART J  
Cessna Aircraft Co.  
Delegation Option Authorization DOA-030804-02  
*Terence E. Huff* Administrator *VEH*

DATE OF APPROVAL 22 DECEMBER 2005



# TABLE OF CONTENTS

	SECTION
GENERAL .....	1
LIMITATIONS .....	2
EMERGENCY PROCEDURES .....	3
NORMAL PROCEDURES .....	4
PERFORMANCE .....	5
WEIGHT AND BALANCE/EQUIPMENT LIST ....	6
AIRPLANE AND SYSTEMS DESCRIPTION ....	7
HANDLING, SERVICE AND MAINTENANCE ...	8
SUPPLEMENTS .....	9









# GENERAL TABLE OF CONTENTS

	Page
Three View - Normal Ground Attitude .....	1-3
Introduction .....	1-5
Descriptive Data .....	1-5
Engine .....	1-5
Propeller .....	1-5
Fuel .....	1-6
Oil .....	1-7
Maximum Certificated Weights .....	1-8
Standard Airplane Weights .....	1-8
Cabin And Entry Dimensions .....	1-8
Baggage Space And Entry Dimensions .....	1-8
Specific Loadings .....	1-8
Symbols, Abbreviations And Terminology .....	1-9
General Airspeed Terminology And Symbols .....	1-9
Meteorological Terminology .....	1-10
Engine Power Terminology .....	1-10
Airplane Performance And Flight Planning Terminology ..	1-11
Weight And Balance Terminology .....	1-12
Metric/Imperial/U.S. Conversion Charts .....	1-14
Weight Conversions .....	1-15
Length Conversions .....	1-17
Distance Conversions .....	1-21
Volume Conversions .....	1-22
Temperature Conversions .....	1-25
Pressure Conversion .....	1-26
Volume to Weight Conversion .....	1-27
Quick Conversions .....	1-28



### THREE VIEW - NORMAL GROUND ATTITUDE

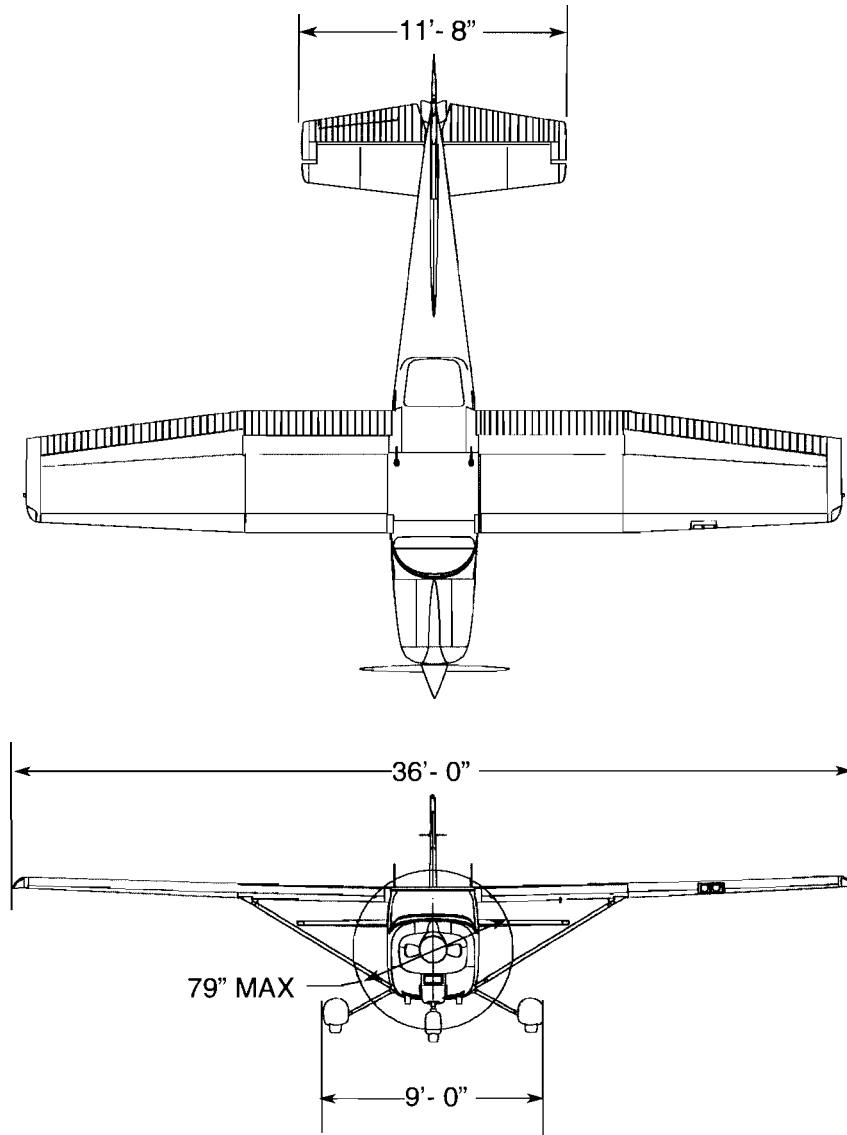
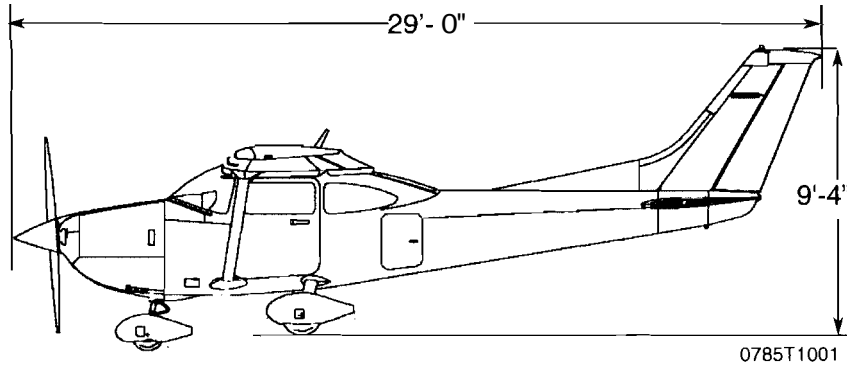


Figure 1-1 (Sheet 1 of 2)

(Continued Next Page)

**THREE VIEW - NORMAL GROUND ATTITUDE** (Continued)



**NOTE**

- a Wing span shown with standard strobe lights installed.
- a Wheel base length is 66 1/2".
- a Propeller ground clearance is 10 7/8".
- a Wing area is 174 square feet.
- a Minimum turning radius (pivot point to outboard wing tip) is 27' - 0 .
- a Normal ground attitude is shown with nose strut showing approximately 2" of strut, and wings level.

Figure 1-1 (Sheet 2)

## INTRODUCTION

- This handbook contains 9 sections and includes the material required to be furnished to the pilot by FAR Part 23. It also contains supplemental data supplied by Cessna Aircraft Company.

Section 1 provides basic data and information of general interest. It also contains definitions and explanations of symbols, abbreviations, and terminology commonly used.

## DESCRIPTIVE DATA

### ENGINE

Number of Engines: 1.

Engine Manufacturer: Textron Lycoming.

Engine Model Number: IO-540-AB1A5.

Engine Type: Normally aspirated, direct drive, air-cooled, horizontally opposed, fuel injected, six cylinder engine with 541 cu. in. displacement.

Horsepower Rating and Engine Speed: 230 rated BHP at 2400 RPM.

### PROPELLER

Propeller Manufacturer: McCauley Propeller Systems.

Propeller Model Number: B3D36C431/80VSA-1.

Number of Blades: 3.

Propeller Diameter: 79.0 inches.

Propeller Type: Constant speed and hydraulically actuated, with a low pitch setting of 14.9" and a high pitch setting of 31.7" (30 inch station).

(Continued Next Page)

**DESCRIPTIVE DATA** (Continued)

**FUEL**

**WARNING**

**USE OF UNAPPROVED FUELS MAY RESULT IN DAMAGE TO THE ENGINE AND FUEL SYSTEM COMPONENTS, RESULTING IN POSSIBLE ENGINE FAILURE.**

Approved Fuel Grades (and Colors):  
100LL Grade Aviation Fuel (Blue).  
100 Grade Aviation Fuel (Green).

**NOTE**

Isopropyl alcohol or diethylene glycol monomethyl ether (DiEGME) may be added to the fuel supply. Additive concentrations shall not exceed 1% for isopropyl alcohol or 0.10% to 0.15% for DiEGME. Refer to Section 8 for additional information.

Fuel Capacity:

Total Capacity: .....	92.0 U.S. gallons
Total Usable: .....	87.0 U.S. gallons
Total Capacity Each Tank: .....	46.0 U.S. gallons
Total Usable Each Tank: .....	43.5 U.S. gallons

**NOTE**

To ensure maximum fuel capacity and minimize crossfeeding when refueling, always park the airplane in a wings level, normal ground attitude and place the fuel selector in the **LEFT** or **RIGHT** position. Refer to Figure 1-1 for normal ground attitude dimensions.

(Continued Next Page)



**DESCRIPTIVE DATA** (Continued)

**OIL**

Oil Specification:

MIL-L-6082 or SAE J1966 Aviation Grade Straight Mineral Oil: used when the airplane was delivered from the factory and should be used to replenish the supply during the first 25 hours. This oil should be drained and the filter changed after the first 25 hours of operation. Refill the engine with MIL-L-6082 or SAE J1966 Aviation Grade Straight Mineral Oil and continue to use until a total of 50 hours has accumulated or oil consumption has stabilized.

MIL-L-22851 or SAE J1899 Aviation Grade Ashless Dispersant Oil: oil conforming to Textron Lycoming Service Instruction No 1014, and all revisions and supplements thereto, **must be used** after first 50 hours or once oil consumption has stabilized.

Recommended viscosity for temperature range:

Temperature	MIL-L-6082 or SAE J1899 Straight Mineral Oil SAE Grade	MIL-L-22851 or SAE J1899 Ashless Dispersant Oil SAE Grade
Above 27°C (80°F)	60	60
Above 16°C (60°F)	50	40 or 50
-1°C (30°F) to 32°C (90°F)	40	40
-18°C (0°F) to 21°C (70°F)	30	30, 40 or 20W-40
Below -12°C (10°F)	20	30 or 20W-30
-18°C (0°F) to 32°C (90°F)	20W-50	20W-50 or 15W-50
All Temperatures	----	15W-50 or 20W-50

**NOTE**

When operating temperatures overlap, use the lighter grade of oil.

Oil Capacity:

Sump: ..... 8 U.S. quarts  
Total: ..... 9 U.S. quarts

(Continued Next Page)

**DESCRIPTIVE DATA** (Continued)

**MAXIMUM CERTIFICATED WEIGHTS**

Ramp Weight: .....	3110 lbs
Takeoff Weight: .....	3100 lbs
Landing Weight: .....	2950 lbs

Weight in Baggage Compartment, Normal Category:

Baggage Area A (Station 82 to 109): .....	120 lbs
.....	Refer to note below.
Baggage Area B (Station 109 to 124): .....	80 lbs
.....	Refer to note below.
Baggage Area C (Station 124 to 134): .....	80 lbs
.....	Refer to note below.

**NOTE**

The maximum allowable combined weight capacity for baggage in areas A, B and C is 200 pounds. The maximum allowable weight capacity for baggage in areas B and C is 80 pounds.

**STANDARD AIRPLANE WEIGHTS**

Standard Empty Weight: .....	1924 lbs
Maximum Useful Load, Normal Category: .....	1186 lbs

**CABIN AND ENTRY DIMENSIONS**

Detailed dimensions of the cabin interior and entry door openings are illustrated in Section 6.

**BAGGAGE SPACE AND ENTRY DIMENSIONS**

Dimensions of the baggage area and baggage door opening are illustrated in detail in Section 6.

**SPECIFIC LOADINGS**

Wing Loading: .....	17.8 lbs/sq. ft.
Power Loading: .....	13.5 lbs/hp.

## SYMBOLS, ABBREVIATIONS AND TERMINOLOGY

### GENERAL AIRSPEED TERMINOLOGY AND SYMBOLS

KCAS	<b>Knots Calibrated Airspeed</b> is indicated airspeed corrected for position and instrument error and expressed in knots. Knots calibrated airspeed is equal to KTAS in standard atmosphere at sea level.
KIAS	<b>Knots Indicated Airspeed</b> is the speed shown on the airspeed indicator and expressed in knots.
KTAS	<b>Knots True Airspeed</b> is the airspeed expressed in knots relative to undisturbed air which is KCAS corrected for altitude and temperature.
V <sub>A</sub>	<b>Maneuvering Speed</b> is the maximum speed at which full or abrupt control movements may be used.
V <sub>FE</sub>	<b>Maximum Flap Extended Speed</b> is the highest speed permissible with wing flaps in a prescribed extended position.
V <sub>NO</sub>	<b>Maximum Structural Cruising Speed</b> is the speed that should not be exceeded except in smooth air, then only with caution.
V <sub>NE</sub>	<b>Never Exceed Speed</b> is the speed limit that may not be exceeded at any time.
V <sub>S</sub>	<b>Stalling Speed or the minimum steady flight speed</b> is the minimum speed at which the airplane is controllable.
V <sub>SO</sub>	<b>Stalling Speed or the minimum steady flight speed</b> is the minimum speed at which the airplane is controllable in the landing configuration at the most forward center of gravity.

(Continued Next Page)

## **SYMBOLS, ABBREVIATIONS AND TERMINOLOGY**

(Continued)

**V<sub>X</sub>**                    **Best Angle-of-Climb Speed** is the speed which results in the greatest gain of altitude in a given horizontal distance.

**V<sub>Y</sub>**                    **Best Rate-of-Climb Speed** is the speed which results in the greatest gain in altitude in a given time.

### **METEOROLOGICAL TERMINOLOGY**

**OAT**                    **Outside Air Temperature** is the free air static temperature. It may be expressed in either degrees Celsius or degrees Fahrenheit.

Standard  
Temperature            **Standard Temperature** is 15°C at sea level pressure altitude and decreases by 2°C for each 1000 feet of altitude.

Pressure  
Altitude                **Pressure Altitude** is the altitude read from an altimeter when the altimeter's barometric scale has been set to 29.92 inches of mercury (1013 mb).

### **ENGINE POWER TERMINOLOGY**

**BHP**                    **Brake Horsepower** is the power developed by the engine.

**RPM**                    **Revolutions Per Minute** is engine speed.

Static RPM             **Static RPM** is engine speed attained during a full throttle engine runup when the airplane is on the ground and stationary.

**MP**                    **Manifold Pressure** is a pressure measured in the engine's induction system and is expressed in inches of mercury (in Hg).

**MCP**                    **Maximum Continuous Power**

(Continued Next Page)

## **SYMBOLS, ABBREVIATIONS AND TERMINOLOGY**

(Continued)

### **AIRPLANE PERFORMANCE AND FLIGHT PLANNING TERMINOLOGY**

Demonstrated  
Crosswind  
Velocity

**Demonstrated Crosswind Velocity** is the velocity of the crosswind component for which adequate control of the airplane during takeoff and landing was actually demonstrated during certification tests. The value shown is not considered to be limiting.

Usable Fuel

**Usable Fuel** is the fuel available for flight planning.

Unusable  
Fuel

**Unusable Fuel** is the quantity of fuel that can not be safely used in flight.

GPH

**Gallons Per Hour** is the amount of fuel consumed per hour.

NMPG

**Nautical Miles Per Gallon** is the distance which can be expected per gallon of fuel consumed at a specific engine power setting and/or flight configuration.

g

**g** is acceleration due to gravity.

Course Datum

**Course Datum** is the compass reference used by the autopilot, along with course deviation, to provide lateral control when tracking a navigation signal.

(Continued Next Page)

## **SYMBOLS, ABBREVIATIONS AND TERMINOLOGY**

(Continued)

### **WEIGHT AND BALANCE TERMINOLOGY**

Reference Datum	<b>Reference Datum</b> is an imaginary vertical plane from which all horizontal distances are measured for balance purposes.
Station	<b>Station</b> is a location along the airplane fuselage given in terms of the distance from the reference datum.
Arm	<b>Arm</b> is the horizontal distance from the reference datum to the center of gravity (C.G.) of an item.
Moment	<b>Moment</b> is the product of the weight of an item multiplied by its arm. (Moment divided by the constant 1000 is used in this handbook to simplify balance calculations by reducing the number of digits.)
Center of Gravity (C.G.)	<b>Center of Gravity</b> is the point at which an airplane, or equipment, would balance if suspended. Its distance from the reference datum is found by dividing the total moment by the total weight of the airplane.
C.G. Arm	<b>Center of Gravity Arm</b> is the arm obtained by adding the airplane's individual moments and dividing the sum by the total weight.
C.G. Limits	<b>Center of Gravity Limits</b> are the extreme center of gravity locations within which the airplane must be operated at a given weight.
Standard Empty Weight	<b>Standard Empty Weight</b> is the weight of a standard airplane, including unusable fuel, full operating fluids and full engine oil.

(Continued Next Page)

## **SYMBOLS, ABBREVIATIONS AND TERMINOLOGY**

(Continued)

Basic Empty Weight	<b>Basic Empty Weight</b> is the standard empty weight plus the weight of optional equipment.
Useful Load	<b>Useful Load</b> is the difference between ramp weight and the basic empty weight.
MAC	<b>MAC (Mean Aerodynamic Chord)</b> is a chord of an imaginary rectangular airfoil having the same pitching moments throughout the flight range as that of the actual wing.
Maximum Ramp Weight	<b>Maximum Ramp Weight</b> is the maximum weight approved for ground maneuver, and includes the weight of fuel used for start, taxi and runup.
Maximum Takeoff Weight	<b>Maximum Takeoff Weight</b> is the maximum weight approved for the start of the takeoff roll.
Maximum Landing Weight	<b>Maximum Landing Weight</b> is the maximum weight approved for the landing touchdown.
Tare	<b>Tare</b> is the weight of chocks, blocks, stands, etc. used when weighing an airplane, and is included in the scale readings. Tare is deducted from the scale reading to obtain the actual (net) airplane weight.

## **METRIC/IMPERIAL/U.S. CONVERSION CHARTS**

The following charts have been provided to help international operators convert U.S. measurement supplied with the Pilot's Operating Handbook into metric and imperial measurements.

The standard followed for measurement units shown is the National Institute of Standards Technology (NIST), Publication 811, "Guide for the Use of the International System of Units (SI)."

Please refer to the following pages for these charts.



### WEIGHT CONVERSIONS

(Kilograms x 2.205 = Pounds)      (Pounds x .454 = Kilograms)

#### KILOGRAMS INTO POUNDS KILOGRAMMES EN LIVRES

kg	0	1	2	3	4	5	6	7	8	9
	lb.	lb.	lb.	lb.	lb.	lb.	lb.	lb.	lb.	lb.
0		2.205	4.409	6.614	8.819	11.023	13.228	15.432	17.637	19.842
10	22.046	24.251	26.456	28.660	30.865	33.069	35.274	37.479	39.683	41.888
20	44.093	46.297	48.502	50.706	52.911	55.116	57.320	59.525	61.729	63.934
30	66.139	68.343	70.548	72.753	74.957	77.162	79.366	81.571	83.776	85.980
40	88.185	90.390	92.594	94.799	97.003	99.208	101.41	103.62	105.82	108.03
50	110.23	112.44	114.64	116.85	119.05	121.25	123.46	125.66	127.87	130.07
60	132.28	134.48	136.69	138.89	141.10	143.30	145.51	147.71	149.91	152.12
70	154.32	156.53	158.73	160.94	163.14	165.35	167.55	169.76	171.96	174.17
80	176.37	178.57	180.78	182.98	185.19	187.39	189.60	191.80	194.01	196.21
90	198.42	200.62	202.83	205.03	207.24	209.44	211.64	213.85	216.05	218.26
100	220.46	222.67	224.87	227.08	229.28	231.49	233.69	235.90	238.10	240.30

#### POUNDS INTO KILOGRAMS LIVRES EN KILOGRAMMES

lb.	0	1	2	3	4	5	6	7	8	9
	kg	kg	kg	kg	kg	kg	kg	kg	kg	kg
0		0.454	0.907	1.361	1.814	2.268	2.722	3.175	3.629	4.082
10	4.536	4.990	5.443	5.897	6.350	6.804	7.257	7.711	8.165	8.618
20	9.072	9.525	9.979	10.433	10.886	11.340	11.793	12.247	12.701	13.154
30	13.608	14.061	14.515	14.969	15.422	15.876	16.329	16.783	17.237	17.690
40	18.144	18.597	19.051	19.504	19.958	20.412	20.865	21.319	21.772	22.226
50	22.680	23.133	23.587	24.040	24.494	24.948	25.401	25.855	26.303	26.762
60	27.216	27.669	28.123	28.576	29.030	29.484	29.937	30.391	30.844	31.298
70	31.752	32.205	32.659	33.112	33.566	34.019	34.473	34.927	35.380	35.834
80	36.287	36.741	37.195	37.648	38.102	38.555	39.009	39.463	39.916	40.370
90	40.823	41.277	41.731	42.184	42.638	43.091	43.545	43.999	44.452	44.906
100	45.359	45.813	46.266	46.720	47.174	47.627	48.081	48.534	48.988	49.442

Figure 1-2 (Sheet 1 of 2)

### WEIGHT CONVERSIONS

(Kilograms x 2.205 = Pounds)

(Pounds x .454 = Kilograms)

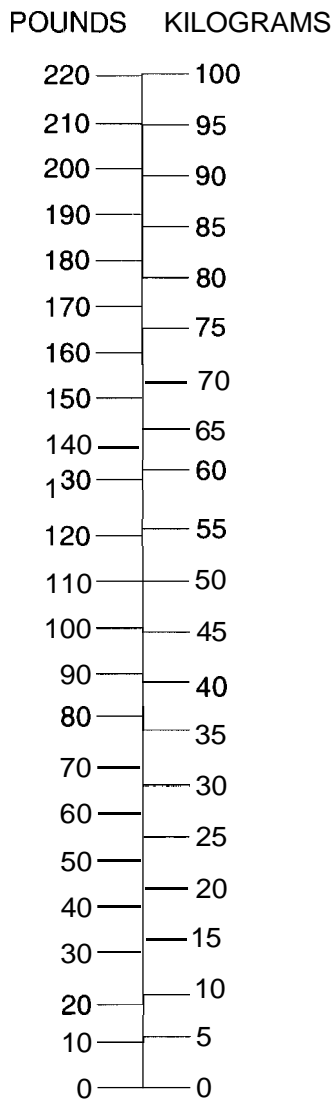


Figure 1-2 (Sheet 2)

## LENGTH CONVERSIONS

(Meters x 3.281 = Feet)    (Feet x .305 = Meters)

### METERS INTO FEET METRES EN PIEDS

m	0	1	2	3	4	5	6	7	8	9
	feet	feet	feet	feet	feet	feet	feet	feet	feet	feet
0	---	3.281	6.562	9.842	13.123	16.404	19.685	22.956	26.247	29.528
10	32.808	36.089	39.370	42.651	45.932	49.212	52.493	55.774	59.055	62.336
20	65.617	68.897	72.178	75.459	78.740	82.021	85.302	88.582	91.863	95.144
30	98.425	101.71	104.99	108.27	111.55	114.83	118.11	121.39	124.67	127.95
40	131.23	134.51	137.79	141.08	144.36	147.64	150.92	154.20	157.48	160.76
50	164.04	167.32	170.60	173.86	177.16	180.45	183.73	187.01	190.29	193.57
60	195.85	200.13	203.41	206.69	209.97	213.25	216.53	219.82	223.10	226.38
70	229.66	232.94	236.22	239.50	242.78	246.06	249.34	252.62	255.90	259.19
80	262.47	265.75	269.03	272.31	275.59	278.87	282.15	285.43	288.71	291.58
90	295.27	298.56	301.84	305.12	308.40	311.68	314.96	318.24	321.52	324.80
100	328.08	331.36	334.64	337.93	341.21	344.49	347.77	351.05	354.33	357.61

### FEET INTO METERS PIEDS EN METRES

ft	0	1	2	3	4	5	6	7	8	9
	m	m	m	m	m	m	m	m	m	m
0	---	0.305	0.610	0.914	1.219	1.524	1.829	2.134	2.438	2.743
10	3.048	3.353	3.658	3.962	4.267	4.572	4.877	5.182	5.486	5.791
20	6.096	6.401	6.706	7.010	7.315	7.620	7.925	8.230	8.534	8.839
30	9.144	9.449	9.754	10.058	10.363	10.668	10.973	11.278	11.582	11.887
40	12.192	12.497	12.802	13.106	13.411	13.716	14.021	14.326	14.630	14.935
50	15.240	15.545	15.850	16.154	16.459	16.754	17.069	17.374	17.678	17.983
60	18.288	18.593	18.898	19.202	19.507	19.812	20.117	20.422	20.726	21.031
70	21.336	21.641	21.946	22.250	22.555	22.860	23.165	23.470	23.774	24.079
80	24.384	24.689	24.994	25.298	25.603	25.908	26.213	26.518	26.822	27.127
90	27.432	27.737	28.042	28.346	28.651	28.956	29.261	29.566	29.870	30.175
100	30.480	30.785	31.090	31.394	31.699	32.004	32.309	32.614	32.918	33.223

Figure 1-3 (Sheet 1 of 4)

### LENGTH CONVERSIONS

(Meters x 3.281 = Feet)    (Feet x .305 = Meters)

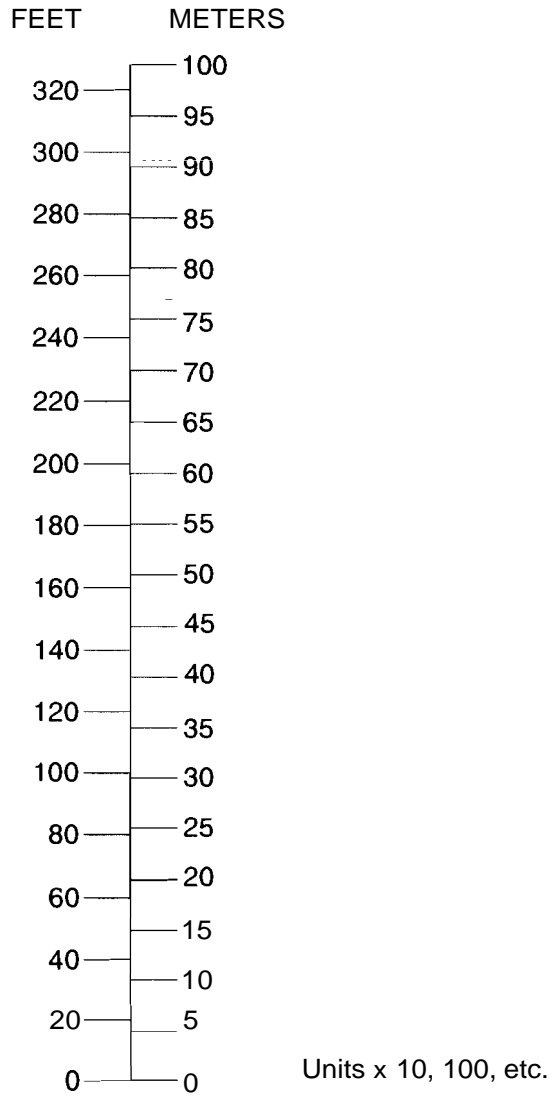


Figure 1-3 (Sheet 2)

### LENGTH CONVERSIONS

(Centimeters x .394 = Inches) (Inches x 2.54 = Centimeters)

#### CENTIMETERS INTO INCHES CENTIMETRES EN POUCES

cm	0	1	2	3	4	5	6	7	8	9
	in.	in.	in.	in.	in.	in.	in.	in.	in.	in.
0	---	0.394	0.787	1.181	1.575	1.969	2.362	2.756	3.150	3.543
10	3.937	4.331	4.724	5.118	5.512	5.906	6.299	6.693	7.087	7.480
20	7.874	8.268	8.661	9.055	9.449	9.843	10.236	10.630	11.024	11.417
30	11.811	12.205	12.598	12.992	13.386	13.780	14.173	14.567	14.961	15.354
40	15.748	16.142	16.535	16.929	17.323	17.717	18.110	18.504	18.898	19.291
50	19.685	20.079	20.472	20.866	21.260	21.654	22.047	22.441	22.835	23.228
60	23.622	24.016	24.409	24.803	25.197	25.591	25.984	26.378	26.772	27.164
70	27.559	27.953	28.346	28.740	29.134	29.528	29.921	30.315	30.709	31.102
80	31.496	31.890	32.283	32.677	33.071	33.465	33.858	34.252	34.646	35.039
90	35.433	35.827	36.220	36.614	37.008	37.402	37.795	38.189	38.583	38.976
100	39.370	39.764	40.157	40.551	40.945	41.339	41.732	42.126	42.520	42.913

#### INCHES INTO CENTIMETERS POUCES EN CENTIMETRES

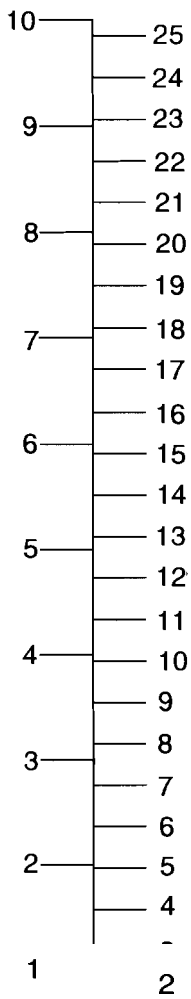
in.	0	1	2	3	4	5	6	7	8	9
	cm	cm	cm	cm	cm	cm	cm	cm	cm	cm
0	---	2.54	5.08	7.62	10.16	12.70	15.24	17.78	20.32	22.86
10	25.40	27.94	30.48	33.02	35.56	38.10	40.64	43.18	45.72	48.26
20	50.80	53.34	55.88	58.42	60.96	63.50	66.04	68.58	71.12	73.66
30	76.20	78.74	81.28	83.82	86.36	88.90	91.44	93.98	96.52	99.06
40	101.60	104.14	106.68	109.22	111.76	114.30	116.84	119.38	121.92	124.46
50	127.00	129.54	132.08	134.62	137.16	139.70	142.24	144.78	147.32	149.86
60	152.40	154.94	157.48	160.02	162.56	165.10	167.64	170.18	172.72	175.26
70	177.80	180.34	182.88	185.42	187.96	190.50	193.04	195.58	198.12	200.66
80	203.20	205.74	208.28	210.82	213.36	215.90	218.44	220.98	223.52	226.06
90	228.60	231.14	233.68	236.22	238.76	241.30	243.84	246.38	248.92	251.46
100	254.00	256.54	259.08	261.62	264.16	266.70	269.24	271.78	274.32	276.86

Figure 1-3 (Sheet 3)

### LENGTH CONVERSIONS

(Centimeters x .394 = Inches)    (Inches x 2.54 = Centimeters)

INCHES    CENTIMETERS



Units x 10, 100, etc.

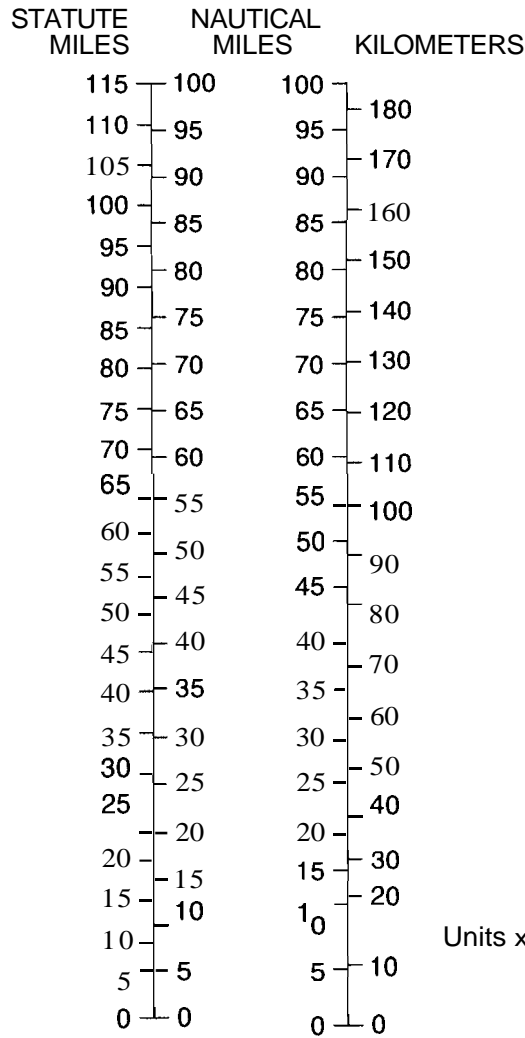
0 — 0

0585T1028

Figure 1-3 (Sheet 4)

## DISTANCE CONVERSIONS

(Statute Miles  $\times$  1.609 = Kilometers) (Kilometers  $\times$  .622 = Statute Miles)  
 (Statute Miles  $\times$  .869 = Nautical Miles) (Nautical Miles  $\times$  1.15 = Statute Miles)  
 (Nautical Miles  $\times$  1.852 = Kilometers) (Kilometers  $\times$  .54 = Nautical Miles)



Units x 10, 100, etc.

0585T1029

Figure 1-4

### VOLUME CONVERSIONS

(Imperial Gallons x 4.546 = Liters)      (Liters x .22 = Imperial Gallons)

#### LITERS INTO IMPERIAL GALLONS LITRES EN GALLONS IMPERIAL

Lt	0	1	2	3	4	5	6	7	8	9
	IG	IG	IG	IG	IG	IG	IG	IG	IG	IG
0	---	0.220	0.440	0.660	0.880	1.100	1.320	1.540	1.760	1.980
10	2.200	2.420	2.640	2.860	3.080	3.300	3.520	3.740	3.960	4.180
20	4.400	4.620	4.840	5.059	5.279	5.499	5.719	5.939	6.159	6.379
30	6.599	6.819	7.039	7.259	7.479	7.699	7.919	8.139	8.359	8.579
40	8.799	9.019	9.239	9.459	9.679	9.899	10.119	10.339	10.559	10.779
50	10.999	11.219	11.439	11.659	11.879	12.099	12.319	12.539	12.759	12.979
60	13.199	13.419	13.639	13.859	14.078	14.298	14.518	14.738	14.958	15.178
70	15.398	15.618	15.838	16.058	16.278	16.498	16.718	16.938	17.158	17.378
80	17.598	17.818	18.038	18.258	18.478	18.698	18.918	19.138	19.358	19.578
90	19.798	20.018	20.238	20.458	20.678	20.898	21.118	21.338	21.558	21.778
100	21.998	22.218	22.438	22.658	22.878	23.098	23.318	23.537	23.757	23.977

#### IMPERIAL GALLONS INTO LITERS GALLONS IMPERIAL EN LITRES

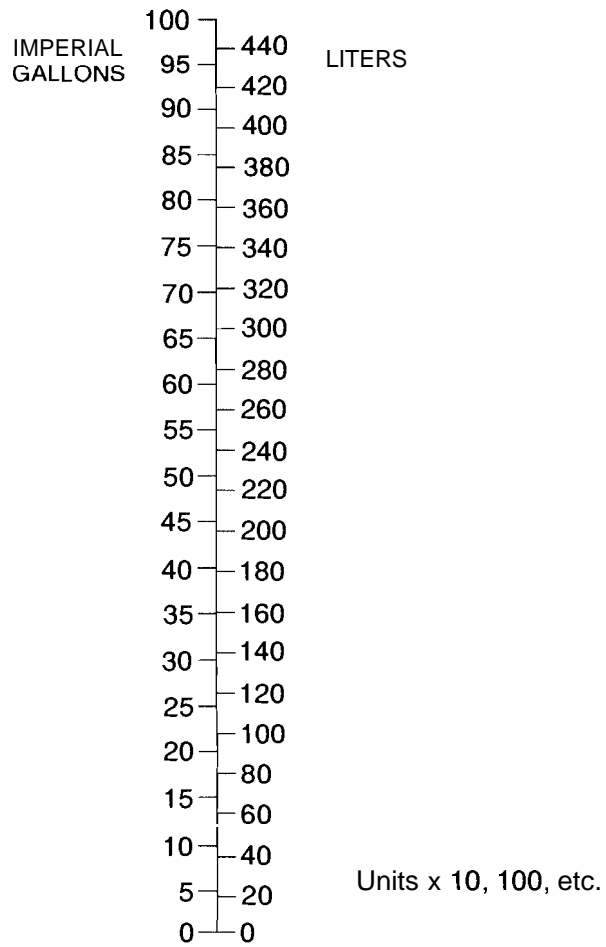
IG	0	1	2	3	4	5	6	7	8	9
	Lt	Lt	Lt	Lt	Lt	Lt	Lt	Lt	Lt	Lt
0	---	4.546	9.092	13.638	18.184	22.730	27.276	31.822	36.368	40.914
10	45.460	50.006	54.552	59.097	63.643	68.189	72.735	77.281	81.827	86.373
20	90.919	95.465	100.01	104.56	109.10	113.65	118.20	122.74	127.29	131.83
30	136.38	140.93	145.47	150.02	154.56	159.11	163.66	168.20	172.75	177.29
40	181.84	186.38	190.93	195.48	200.02	204.57	209.11	213.66	218.21	222.75
50	227.30	231.84	236.39	240.94	245.48	250.03	254.57	259.12	263.67	268.21
60	272.76	277.30	281.85	286.40	290.94	295.49	300.03	304.58	309.13	313.67
70	318.22	322.76	327.31	331.86	336.40	340.95	345.49	350.04	354.59	359.13
80	363.68	368.22	372.77	377.32	381.86	386.41	390.95	395.50	400.04	404.59
90	409.14	413.68	418.23	422.77	427.32	431.87	436.41	440.96	445.50	450.05
100	454.60	459.14	463.69	468.23	472.78	477.33	481.87	486.42	490.96	495.51

Figure 1-5 (Sheet 1 of 3)



## VOLUME CONVERSIONS

(Imperial Gallons  $\times$  4.4546 = Liters)  
(Liters  $\times$  .22 = Imperial Gallons)

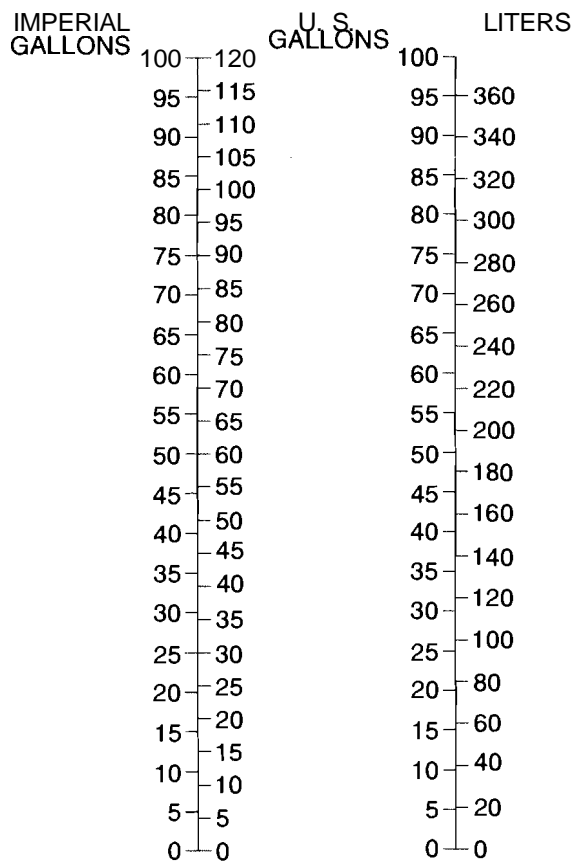


0585T1032

Figure 1-5 (Sheet 2)

## VOLUME CONVERSIONS

(Imperial Gallons  $\times$  1.2 = U.S. Gallons)  
 (U.S. Gallons  $\times$  .833 = Imperial Gallons)  
 (U.S. Gallons  $\times$  3.785 = Liters)  
 (Liters  $\times$  .264 = U.S. Gallons)



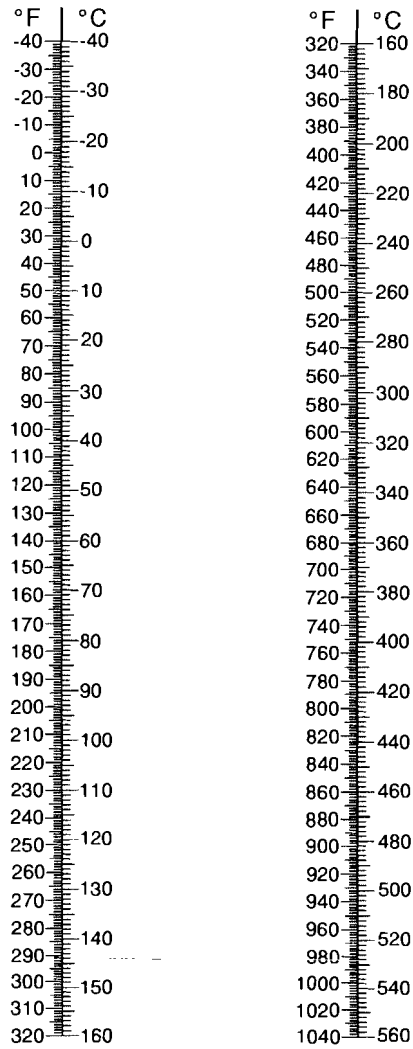
Units x 10, 100, etc.

Figure 1-5 (Sheet 3)

0585T1033

## TEMPERATURE CONVERSIONS

$$(^{\circ}\text{F}-32) \times 5/9 = ^{\circ}\text{C} \qquad ^{\circ}\text{C} \times 9/5 + 32 = ^{\circ}\text{F}$$



0585T1034

Figure 1-6

### PRESSURE CONVERSION

Hectopascals (Millibars) to inches Mercury (inHG)

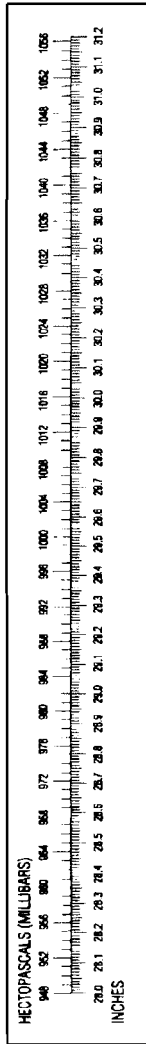


Figure 1-7

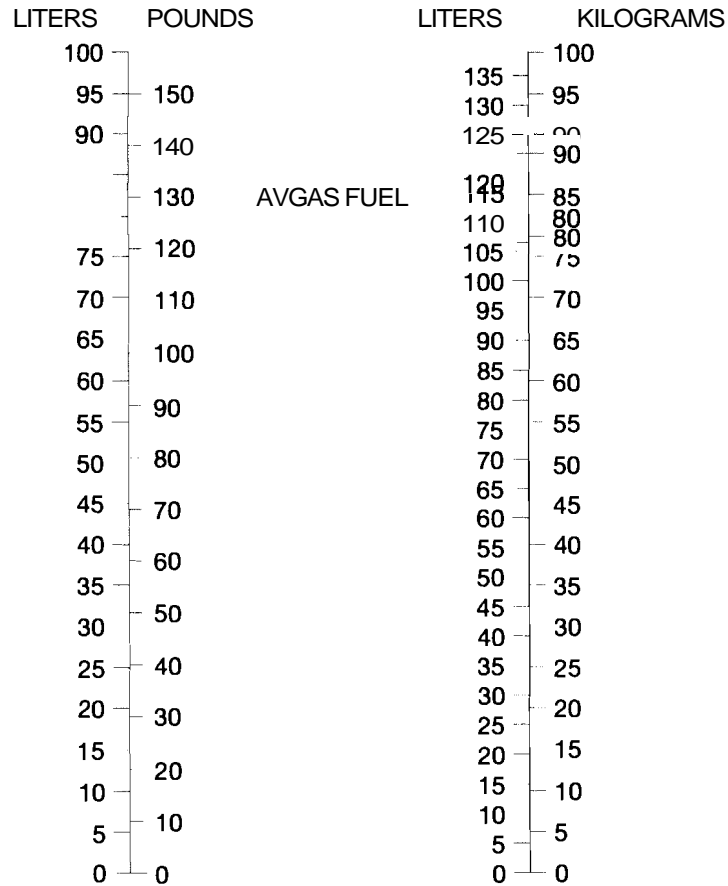
## VOLUME TO WEIGHT CONVERSION

83088

AVGAS Specific Gravity = .72

(Liters x .72 = Kilograms)  
(Liters x 1.58 = Pounds)

(Kilograms x 1.389 = Liters)  
(Pounds x .633 = Liters)

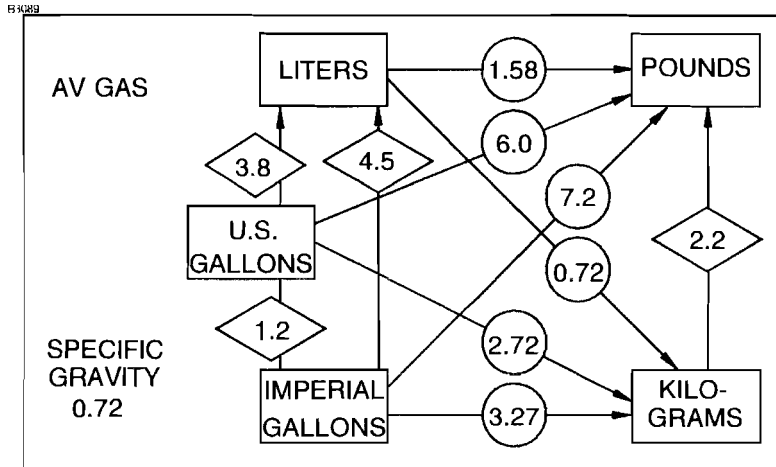


Units x 10, 100, etc.

0585T1030

Figure 1-8

### QUICK CONVERSIONS



0585T1031

Figure 1-9

## LIMITATIONS

## LIMITATIONS



# OPERATING LIMITATIONS

## TABLE OF CONTENTS

	Page
Introduction .....	2-3
Airspeed Limitations .....	2-4
Airspeed Indicator Markings .....	2-5
Powerplant Limitations .....	2-6
Powerplant Instrument Markings .....	2-7
Weight Limits .....	2-8
Center-Of-Gravity Limits .....	2-8
Maneuver Limits .....	2-9
Flight Load Factor Limits .....	2-9
Kinds Of Operations Limits .....	2-9
Kinds Of Operations Equipment List .....	2-10
Fuel Limitations .....	2-14
Flap Limitations .....	2-14
System Limitations .....	2-15
Aux Audio System .....	2-15
12V Power System .....	2-15
G1000 Limitations .....	2-16
Bendix/King KAP 140 2 Axis Autopilot .....	2-16
L3 Communications WX-500 Stormscope .....	2-17
Traffic Advisory System (TAS) .....	2-17
Terrain Awareness and Warning System (TAWS-B) .....	2-17
Placards .....	2-18



## INTRODUCTION

Section 2 includes operating limitations, instrument markings, and basic placards necessary for the safe operation of the airplane, its engine, standard systems and standard equipment. The limitations included in this section and in Section 9 have been approved by the Federal Aviation Administration. Observance of these operating limitations is required by Federal Aviation Regulations.

### NOTE

- Refer to Supplements, Section 9 of this Pilot's Operating Handbook for amended operating limitations, operating procedures, performance data and other necessary information for airplanes equipped with specific options.
- The airspeeds listed in Figure 2-1, Airspeed Limitations, and Figure 2-2, Airspeed Indicator Markings, are based on Airspeed Calibration data shown in Section 5 with the normal static source. If the alternate static source is being used, ample margins should be observed to allow for the airspeed calibration variations between the normal and alternate static sources as shown in Section 5.

The Cessna Model No. 182T is certificated under FAA Type Certificate No. 3A13.

## AIRSPPEED LIMITATIONS

Airspeed limitations and their operational significance are shown in Figure 2-1.

**AIRSPPEED LIMITATIONS**

<b>SYMBOL</b>	<b>SPEED</b>	<b>KCAS</b>	<b>KIAS</b>	<b>REMARKS</b>
<b>V<sub>NE</sub></b>	Never Exceed Speed	171	175	Do not exceed this speed in any operation.
<b>V<sub>NO</sub></b>	Maximum Structural Cruising Speed	136	140	Do not exceed this speed except in smooth air, and then only with caution.
<b>V<sub>A</sub></b>	Maneuvering Speed: 3100 Pounds 2600 Pounds 2100 Pounds	108 100 91	110 101 91	Do not make full or abrupt control movements above this speed.
<b>V<sub>FE</sub></b>	Maximum Flap Extended Speed: Flaps LIP to 10" Flaps 10" to 20" Flaps 20" to FULL	136 117 99	140 120 100	Do not exceed this speed with flaps down.
<b>-----</b>	Maximum Window Open Speed	171	175	Do not exceed this speed with windows open.

Figure 2-1

## AIRSPEED INDICATOR MARKINGS

Airspeed indicator markings and their color code significance are shown in Figure 2-2.

AIRSPEED INDICATOR MARKINGS		
MARKING	KIAS VALUE OR RANGE	SIGNIFICANCE
<b>Red Arc*</b>	20 - 41	Low airspeed warning.
<b>White Arc</b>	41 - 100	Full Flap Operating Range. Lower limit is maximum weight $V_{SO}$ in landing configuration. Upper limit is maximum speed permissible with flaps extended.
<b>Green Arc</b>	51 - 140	Normal Operating Range. Lower limit is maximum weight $V_S$ at most forward C.G. with flaps retracted. Upper limit is maximum structural cruising speed.
<b>Yellow Arc</b>	140 - 175	Operations must be conducted with caution and only in smooth air.
<b>Red Line</b>	175	Maximum speed for all operations.

\* G1000 airspeed indicator only.

Figure 2-2

## POWERPLANT LIMITATIONS

Engine Manufacturer: Textron Lycoming.

Engine Model Number: IO-540-AB1A5.

Maximum Power: 230 BHP rating.

Engine Operating Limits for Takeoff and Continuous Operations:

Maximum Engine Speed .....	2400 RPM
Maximum Cylinder Head Temperature .....	500°F (260°C)
Maximum Oil Temperature .....	245°F (118°C)
Oil Pressure, Minimum .....	20 PSI
Oil Pressure, Maximum .....	115 PSI

Fuel Grade: Refer to Fuel Limitations.

Oil Grade (Specification):

MIL-L-6082 or SAE J1966 Aviation Grade Straight Mineral Oil or MIL-L-22851 or SAE J1899 Ashless Dispersant Oil. Oil must comply with the latest revision and/or supplement for Textron Lycoming Service Instruction No. 1014.

Propeller Manufacturer: McCauley Propeller Systems

Propeller Model Number: B3D36C431/80VSA-1.

Propeller Diameter: 79 INCHES

Propeller Blade Angle at 30 Inch Station:

Low: 14.9"

High: 31.7"

## POWERPLANT INSTRUMENT MARKINGS

Powerplant instrument markings and their color code significance are shown in Figure 2-3. Operation with indications in the red range is prohibited. Avoid operating with indicators in the yellow range.

### POWERPLANT INSTRUMENT MARKINGS

INSTRUMENT	RED LINE (MIN)	RED ARC (LWR)	YELLOW ARC	GREEN ARC (NORMAL OPERATING RANGE)	RED ARC (UPR)	RED LINE (MAX)
Tachometer	----	----	----	2000 to 2400 RPM	2400* to 2700 RPM	----
Manifold Pressure	----	----	----	15 to 23 in.hg	----	----
Cylinder Head Temperature	----	----	----	200 to 500°F	----	500°F
Oil Temperature	----	----	----	100 to 245°F	245' to 250°F	----
Oil Pressure	----	0 to 20 PSI	----	50 to 90 PSI	115* to 120 PSI	----
Fuel Quantity	0 (2.5 Gallons Unusable Each Tank)	----	0 to 8 Gallons	8 to 35 Gallons	----	----
Fuel Flow	----	----	----	0 to 15 GPH	----	----
Vacuum Gage	----	----	----	4.5 to 5.5 in.hg.	----	----

\*Maximum operating limit is lower end of red arc.

Figure 2-3

## WEIGHT LIMITS

Maximum Ramp Weight: .....	3110 POUNDS
Maximum Takeoff Weight: .....	3100 POUNDS
Maximum Landing Weight: .....	2950 POUNDS

### Maximum Weight in Baggage Compartment:

■ Baggage Area A - Station 82 to 109: .....	120 POUNDS	Refer to note below.
■ Baggage Area B - Station 109 to 124: .....	80 POUNDS	Refer to note below.
■ Baggage Area C - Station 124 to 134: .....	80 POUNDS	Refer to note below.

### NOTE

The maximum allowable combined weight capacity for baggage in areas A, B and C is 200 pounds. The maximum combined allowable weight capacity for baggage in areas B and C is 80 pounds.

## CENTER-OF-GRAVITY LIMITS

### Center-of-Gravity Range:

Forward: 33.0 inches aft of datum at 2250 pounds or less, with straight line variation to 35.5 inches aft of datum at 2700 pounds or less, with straight line variation to 40.9 inches aft of datum at 3100 pounds, continuing to aft limit at 3100 pounds.

Aft: 46.0 inches aft of datum at all weights.

Reference Datum: Front face of firewall.



## MANEUVER LIMITS

This airplane is certificated in the normal category. The normal category is applicable to aircraft intended for non aerobatic operations. These include any maneuvers incidental to normal flying, stalls (except whip stalls), lazy eights, chandelles, and turns in which the angle-of-bank is not more than 60°.

Aerobatic maneuvers, including spins, are not approved.

## FLIGHT LOAD FACTOR LIMITS

Flight Load Factors (Maximum Takeoff Weight - 3100 POUNDS):

\*Flaps Up: ..... +3.8g, -1.52g

\*Flaps Down: ..... +2.0g

\* The design load factors are 150% of the above, and in all cases, the structure meets or exceeds design loads.

## KINDS OF OPERATIONS LIMITS

The Cessna 182T Nav III airplane is approved for day and night, VFR and IFR operations. Flight into known-icing conditions is prohibited.

The minimum equipment for approved operations required under the Operating Rules are defined by 14 CFR Part 91 and 14 CFR Part 135, as applicable.

The following Kinds of Operations Equipment List (KOEL) identifies the equipment required to be operational for airplane airworthiness in the listed kind of operations.

(Continued Next Page)

**KINDS OF OPERATIONS EQUIPMENT LIST**

System, Instrument, Equipment and/or Function	KIND OF OPERATION				COMMENTS
	V F R  D A Y	V F R  N I G H T	I F R  D A Y	I F R  N I G H T	
<b>PLACARDS AND MARKINGS</b>					
182T Nav III POH/AFM	1	1	1	1	Accessible to pilot in flight
Garmin G1000™ Cockpit Reference Guide	1	1	1	1	Accessible to pilot in flight
<b>AIR CONDITIONING</b>					
1. Forward Avionics Fan	1	1	1	1	
2. PFD Fan	0	0	0	0	
3. MFD Fan	0	0	0	0	
4. Aft Avionics Fan	1	1	1	1	
<b>AUTOFLIGHT</b>					
1. Bendix/King KAP 140 POH Supplement	0	0	A/R	NR	Accessible to pilot in flight when using autopilot
<b>COMMUNICATIONS</b>					
1. VHF COM	0	0	1	1	
<b>ELECTRICAL POWER</b>					
1. 24V Main Battery	1	1	1	1	
2. 28V Alternator	1	↓	1	1	
3. 24V Standby Battery	0				Refer to Note 1
4. Main Ammeter	1	↓	1	1	
5. Standby Ammeter	0				Refer to Note 1

**NOTE**

1. The European Aviation Safety Agency (EASA) requires the 24V Standby Battery and Standby Ammeter to successfully complete the pre-flight check before operating the airplane in VFR night, IFR day, or IFR night conditions in Europe. Correct operation of the 24V Standby Battery and Standby Ammeter is recommended for all other operations.

(Continued Next Page)

**KINDS OF OPERATIONS EQUIPMENT LIST (Continued)**

System, Instrument, Equipment and/or Function	KIND OF OPERATION				COMMENTS
	VFR DAY	VFR NIGHT	IFR DAY	IFR NIGHT	
<b>EQUIPMENT AND FURNISHINGS</b>					
1. Seat Belt Assembly	1	1	1	1	Each Seat Occupant Front Seat Occupants
2. Shoulder Harness	1	1	1	1	
<b>FLIGHT CONTROLS</b>					
1. Flap Position Indicator	1	1	1	1	
2. Flap Motor	1	1	1	1	
3. Elevator Trim System	1	1	1	1	
4. Elevator Trim Indicator	1	1	1	1	
5. Rudder Trim System	1	1	1	1	
6. Rudder Trim Indicator	1	1	1	1	
<b>FUEL SYSTEM</b>					
1. Electric Fuel Pump	1	1	1	1	
2. Fuel Quantity Indicator - LH Tank	1	1	1	1	
3. Fuel Quantity Indicator - RH Tank	1	1	1	1	
<b>ICE AND RAIN PROTECTION</b>					
1. Alternate Static Air Source	0	0	1	1	
2. Alternate Induction Air System	0	0	1	1	
<b>INDICATING/RECORDING SYSTEM</b>					
1. Stall Warning System	1	1	1	1	
2. System Annunciator and Warning Displays	1	1	1	1	
<b>LANDING GEAR</b>					
1. Wheel Fairings	0	0	0	0	Removable

(Continued Next Page)

**KINDS OF OPERATIONS EQUIPMENT LIST (Continued)**

System, Instrument, Equipment and/or Function	KIND OF OPERATION				COMMENTS
	V F R	V F R  N I G H T	I F R	I F R  N I G H T	
<b>LIGHTING</b>					
1. PFD Bezel Lighting	0	0	0	1	'Refer to Note 2
2. PFD Backlighting	1	1	1	1	
3. MFD Bezel Lighting	0	0	0	1	'Refer to Note 3
4. MFD Backlighting	1	1	1	1	
5. Switch and Circuit Breaker Panel Lighting	0	1	0	1	
6. Airspeed Indicator (Standby) Internal Lighting	0	1	0	1	
7. Altimeter (Standby) Internal Lighting	0	1	0	1	
8. Non-stabilized Magnetic Compass Internal Lighting	0	1	0	1	
9. Attitude Indicator (Vacuum) Internal Lighting	0	1	0	1	
10. Cockpit Flood Light	0	1	0	1	
11. Aircraft Position (NAV) Lights	0	1	1	1	
12. STROBE Light System	1	1	1	1	
13. BEACON Light	0	0	0	0	
14. TAXI Light	0	0	0	0	
15. LAND (Landing) Light	0	1	0	1	Operations for hire only

**NOTE**

- 2. PFD backlighting is required for day VFR flight if MFD backlighting has failed. Display backup mode must be active so engine indicators are shown.
- 3. MFD backlighting is required for day VFR flight if PFD backlighting has failed. Display backup mode must be active so flight instruments are shown.

(Continued Next Page)

**KINDS OF OPERATIONS EQUIPMENT LIST (Continued)**

System, Instrument, Equipment and/or Function	KIND OF OPERATION				COMMENTS
	V F R D A Y	V F R N I G H T	I F R D A Y	I F R N I G H T	
<b>NAVIGATION AND PITOT-STATIC SYSTEM</b>					
1. G1000 Airspeed Indicator	1	1	1	1	
2. Standby Airspeed Indicator	0	0	1	1	
3. G1000 Altimeter	1	1	1	1	
4. Standby Altimeter	0	0	1	1	
5. G1000 Vertical Speed Indicator	0	0	0	0	
6. G1000 Attitude Indicator	0	0	1	1	
7. Attitude Indicator - Vacuum (Standby)	0	0	1	1	
8. G1000 Directional Indicator (HSI)	0	0	1	1	
9. G1000 Turn Coordinator	0	u	1	1	
10. Non-stabilized Magnetic Compass	1	1	1	1	
11. VHF Navigation Radio (VOR/LOC/GS)	0	0	A/R	A/R	As Required Per Procedure
12. GPS Receiver/Navigator	0	0	A/R	A/R	As Required Per Procedure
13. Marker Beacon Receiver	0	0	A/R	A/R	As Required Per Procedure
14. Blind Altitude Encoder	A/R	A/R	1	1	As Required Per Procedure
15. Clock	0	0	1	1	
<b>VACUUM</b>					
1. Engine-driven Vacuum Pump	0	0	1	1	
2. Vacuum Indicator	0	0	1	1	
<b>ENGINE FUEL AND CONTROL</b>					
1. Manifold Pressure Indicator	1	1	1	1	
2. Fuel Flow Indicator	1	1	1	1	
<b>ENGINE INDICATING</b>					
1. Tachometer (RPM)	1	1	1	1	
2. Cylinder Head Temperature (CHT) Indicator	1	1	1	1	Cylinder #3
3. Oil Pressure Indicator	1	1	1	1	
4. Oil Temperature Indicator	1	1	1	1	
<b>ENGINE OIL</b>					
1. Engine Crankcase Dipstick	1	1	1	1	

## FUEL LIMITATIONS

Total Fuel: . . . . . 92.0 U.S. Gallons (46.0 gallons per tank)

Usable Fuel: . . . . . 87.0 U.S. Gallons (43.5 gallons per tank)

Unusable Fuel: . . . . . 5.0 U.S. Gallons (2.5 Gallons each tank)

### NOTE

To ensure maximum fuel capacity and minimize cross-feeding when refueling, always park the airplane in a wings-level, normal ground attitude and place the fuel selector in the Left or Right position. Refer to Figure 1-1 for normal ground attitude definition.

Takeoff and land with the fuel selector valve handle in the BOTH position.

Maximum slip or skid duration with one tank dry: 30 seconds.

Operation on either LEFT or RIGHT tank limited to level flight only.

With 1/4 tank or less, prolonged uncoordinated flight is prohibited when operating on either the left or the right tank.

Fuel remaining in the tank after the fuel quantity indicator reads 0 (red line) cannot be safely used in flight.

Approved Fuel Grades (and Colors):

100LL Grade Aviation Fuel (Blue)

100 Grade Aviation Fuel (Green)

## FLAP LIMITATIONS

Approved Takeoff Range: . . . . . UP to 20°

Approved Landing Range: . . . . . UP to FULL

## **SYSTEM LIMITATIONS**

### **AUX AUDIO SYSTEM**

Use of the AUX AUDIO IN entertainment input is prohibited during takeoff and landing.

Use of the AUX AUDIO IN entertainment audio input and portable electronic devices (PED) such as cellular telephones, games, cassette, CD or MP3 players is prohibited under IFR unless the operator of the airplane has determined that the use of the Aux Audio System and the connected portable electronic device(s) will not cause interference with the navigation or communication system of the airplane.

### **12V POWER SYSTEM**

The 12 Volt Power System (POWER OUTLET 12V - 10A) is not certified for supplying power to flight-critical communications or navigation devices.

Use of the 12 Volt Power System is prohibited during takeoff and landing.

Use of the 12 Volt Power System is prohibited under IFR unless the operator of the airplane has determined that the use of the 12 VDC power supply and connected portable electronic device(s) will not cause interference with the navigation or communication systems of the airplane.

## **G1000 LIMITATIONS**

The current Garmin G1000 Cockpit Reference Guide (CRG) Part Number and System Software Version that must be available to the pilot during flight are displayed on the MFD AUX group, SYSTEM STATUS page.

Use of the NAVIGATION MAP page for pilotage navigation is prohibited. The Navigation Map is intended only to enhance situational awareness. Navigation is to be conducted using only current charts, data and authorized navigation facilities.

Use of the TRAFFIC MAP to maneuver the airplane to avoid traffic is prohibited. The Traffic Information System (TIS) is intended for advisory use only. TIS is intended only to help the pilot to visually locate traffic. It is the responsibility of the pilot to see and maneuver to avoid traffic.

Use of the TERRAIN PROXIMITY information for primary terrain avoidance is prohibited. The Terrain Proximity map is intended only to enhance situational awareness. It is the pilot's responsibility to provide terrain clearance at all times.

Navigation using the G1000 is not authorized north of 70° North latitude or south of 70° South latitude due to unsuitability of the magnetic fields near the Earth's poles. In addition, operations are not authorized in the following two regions:

1. North of 65° North latitude between longitude 75° W and 120° W (Northern Canada).
2. South of 55° South latitude between longitude 120° E and 165° E (region south of Australia and New Zealand).

The COM 1/2 (split COM) function of the GMA 1347 Audio Panel is not approved for use. During COM 1/2 operation, transmission by one crew member inhibits reception by the other crew member.

## **BENDIX/KING KAP 140 2 AXIS AUTOPILOT**

Use of the Bendix/King KAP 140 Autopilot is prohibited when the GMA 1347 Audio Panel is inoperative (since the aural warning will not be provided when Autopilot is disengaged).



**L3 COMMUNICATIONS WX 500 STORMSCOPE (if installed)**

Use of the WEATHER MAP (WX-500 Stormscope) for hazardous weather (thunderstorm) penetration is prohibited. LTNG information on the NAVIGATION MAP or WEATHER MAP is approved only as an aid to hazardous weather avoidance, not penetration.

**TRAFFIC ADVISORY SYSTEM (TAS) (if installed)**

Use of the TRAFFIC MAP to maneuver the airplane to avoid traffic is prohibited. The Traffic Advisory System (TAS) is intended for advisory use only. TAS is intended only to help the pilot to visually locate traffic. It is the responsibility of the pilot to see and maneuver to avoid traffic.

**TERRAIN AWARENESS AND WARNING SYSTEM (TAWS-B) (if installed)**

Use of the Terrain Awareness and Warning System (TAWS-B) to navigate to avoid terrain or obstacles is prohibited. TAWS-B is only approved as an aid to help the pilot to see-and-avoid terrain or obstacles.

TAWS-B must be inhibited when landing at a location not included in the airport database.

Use of TAWS-B is prohibited when operating using the QFE altimeter setting (altimeter indicates 0 feet altitude when the airplane is on the runway).

The pilot is authorized to deviate from the current ATC clearance only to the extent necessary to comply with TAWS-B warnings.

The geographic area of the TAWS-B database must match the geographic area in which the airplane is being operated.

## PLACARDS

The following information must be displayed in the form of composite or individual placards.

1. In full view of the pilot: (The "DAY-NIGHT-VFR-IFR" entry, shown on the example below, will vary with installed equipment).

The markings and placards installed in this airplane contain operating limitations which must be complied with when operating this airplane in the Normal Category. Other operating limitations which must be complied with when operating this airplane in this category are contained in the Pilot's Operating Handbook and FAA Approved Airplane Flight Manual.

No acrobatic maneuvers, including spins, approved.

Flight into known icing conditions prohibited.

This airplane is certified for the following flight operations as of date of original airworthiness certificate:

DAY-NIGHT-VFR-IFR

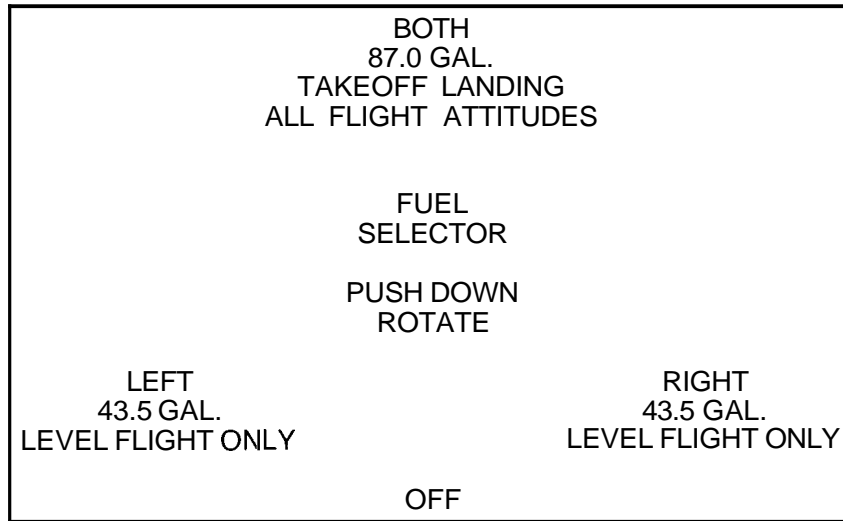
2. On control lock:

CAUTION!  
CONTROL LOCK  
REMOVE BEFORE STARTING ENGINE

(Continued Next Page)

**PLACARDS** (Continued)

3. On the fuel selector valve:



4. Near both fuel tank filler caps:

FUEL 100LL/100 MIN. GRADE AVIATION GASOLINE CAP. 43.5  
U.S. GAL. USABLE CAP. 32.0 U.S. GAL. USABLE TO BOTTOM  
OF FILLER INDICATOR TAB

(Continued Next Page)

**PLACARDS** (Continued)

5. On flap control indicator:

LIP to 10"	140 KIAS	(Initial flap range with Dark Blue color code; mechanical detent at 10" position)
10" to 20"	120 KIAS	(Intermediate flap range with Light Blue color code; mechanical detent at 20" position)
20" to FULL	100 KIAS	(Full flap range with White color code; mechanical stop at FULL position)

6. In baggage compartment:

120 POUNDS MAXIMUM  
BAGGAGE FORWARD OF BAGGAGE DOOR LATCH  
AND  
80 POUNDS MAXIMUM  
BAGGAGE AFT OF BAGGAGE DOOR LATCH  
MAXIMUM 200 POUNDS COMBINED  
FOR ADDITIONAL LOADING INSTRUCTIONS  
SEE WEIGHT AND BALANCE DATA

7. A calibration card must be provided to indicate the accuracy of the magnetic compass in 30" increments.
8. On the oil filler cap:

OIL  
9 QTS

9. Above the PFD:

MANEUVERING SPEED - 110 KIAS

(Continued Next Page)

**PLACARDS** (Continued)

10. On the upper right instrument panel:

SMOKING PROHIBITED

11. On auxiliary power plug door and second placard on battery box:

CAUTION 24 VOLTS D.C.  
THIS AIRCRAFT IS EQUIPPED WITH ALTERNATOR AND A  
NEGATIVE GROLIND SYSTEM. OBSERVE PROPER  
POLARITY. REVERSE POLARITY WILL DAMAGE  
ELECTRICAL COMPONENTS.

12. On the upper right side of the aft cabin partition:

EMERGENCY LOCATOR TRANSMITTER  
INSTALLED AFT OF THIS PARTITION  
MUST BE SERVICED IN ACCORDANCE  
WITH FAR PART 91.207

13. Near the center overhead light control:

Flood Light

# EMERGENCY PROCEDURES

## TABLE OF CONTENTS

	Page
Introduction .....	3-5
Airspeeds For Emergency Operations .....	3-5
<b>EMERGENCY PROCEDURES</b> .....	3-6
<b>ENGINE FAILURES</b> .....	3-6
Engine Failure During Takeoff Roll .....	3-6
Engine Failure Immediately After Takeoff .....	3-6
Engine Failure During Flight (Restart Procedures) .....	3-6
<b>FORCED LANDINGS</b> .....	3-7
Emergency Landing Without Engine Power .....	3-7
Precautionary Landing With Engine Power .....	3-8
Ditching .....	3-8
<b>FIRES</b> .....	3-9
During Start On Ground .....	3-9
Engine Fire In Flight .....	3-10
Electrical Fire In Flight .....	3-10
Cabin Fire .....	3-11
Wing Fire .....	3-11
<b>ICING</b> .....	3-12
Inadvertent Icing Encounter During Flight .....	3-12
Static Source Blockage (Erroneous Instrument Reading Suspected) .....	3-13

(Continued Next Page)

## TABLE OF CONTENTS (Continued)

	Page
<b>EXCESSIVE FUEL VAPOR</b> .....	3-13
Fuel Flow Stabilization Procedures .....	3-13
<b>ABNORMAL LANDINGS</b> .....	3-14
Landing With A Flat Main Tire .....	3-14
Landing With A Flat Nose Tire .....	3-14
<b>ELECTRICAL POWER SUPPLY SYSTEM MALFUNCTIONS</b>	3-15
High Volts Annunciator Comes On or M BAT AMPS More Than 40 .....	3-15
LOW VOLTS Annunciator Comes On Below 1000 RPM ..	3-17
LOW VOLTS Annunciator Comes On or Does Not Go Off at Higher RPM .....	3-17
<b>AIR DATA SYSTEM FAILURE</b> .....	3-19
Red X - PFD Airspeed Indicator .....	3-19
Red X - PFD Altitude Indicator .....	3-19
<b>ATTITUDE AND HEADING REFERENCE SYSTEM (AHRs) FAILURE</b> .....	3-20
Red X - PFD Attitude Indicator .....	3-20
Red X - Horizontal Situation Indicator (HSI) .....	3-20
<b>DISPLAY COOLING ADVISORY</b> .....	3-20
PFD1 COOLING or MFD1 COOLING Annunciator(s) .....	3-20
<b>VACUUM SYSTEM FAILURE</b> .....	3-21
LOW VACUUM Annunciator Comes On	3-21
<b>HIGH CARBON MONOXIDE (CO) LEVEL ANNUNCIATOR</b> .	3-21
CO LVL HIGH Annunciator Comes On .....	3-21
CO LVL HIGH Annunciator Remains On .....	3-21

(Continued Next Page)

**TABLE OF CONTENTS** (Continued)

	Page
<b>AMPLIFIED EMERGENCY PROCEDURES</b> .....	3-22
Engine Failure .....	3-22
Maximum Glide .....	3-23
Forced Landings .....	3-24
Landing Without Elevator Control .....	3-25
Fires .....	3-25
Emergency Operation In Clouds .....	3-26
Executing A 180° Turn In Clouds (AHRS FAILED) .....	3-27
Emergency Descent Through Clouds (AHRS FAILED) ...	3-28
Recovery From Spiral Dive In The Clouds (AHRS FAILED)	3-29
Inadvertent Flight Into Icing Conditions .....	3-29
Static Source Blocked .....	3-30
Spins .....	3-30
Rough Engine Operation Or Loss Of Power .....	3-31
Spark Plug Fouling .....	3-31
Magneto Malfunction .....	3-31
Engine-Driven Fuel Pump Failure .....	3-31
Excessive Fuel Vapor .....	3-32
Low Oil Pressure .....	3-32
Electrical Power Supply System Malfunctions .....	3-33
Excessive Rate-Of-Charge .....	3-33
Insufficient Rate-Of-Charge .....	3-34
High Carbon Monoxide (CO) Level Annunciation .....	3-36
Other Emergencies .....	3-36
Windshield Damage .....	3-36





## INTRODUCTION

Section 3 provides checklist and amplified procedures for coping with emergencies that may occur. Emergencies caused by airplane or engine malfunctions are extremely rare if proper preflight inspections and maintenance are practiced. Enroute weather emergencies can be minimized or eliminated by careful flight planning and good judgment when unexpected weather is encountered. However, should an emergency arise, the basic guidelines described in this section should be considered and applied as necessary to correct the problem. In any emergency situation, the most important task is continued control of the airplane and maneuver to execute a successful landing.

Emergency procedures associated with optional or supplemental equipment are found in Section 9, Supplements.

## AIRSPEEDS FOR EMERGENCY OPERATIONS

### ENGINE FAILURE AFTER TAKEOFF

Wing Flaps UP .....	75 KIAS
Wing Flaps 10° - FULL .....	70 KIAS

### MANEUVERING SPEED

3100 POUNDS .....	110 KIAS
2600 POUNDS .....	101 KIAS
2100 POUNDS .....	91 KIAS

### MAXIMUM GLIDE

3100 POUNDS .....	76 KIAS
2600 POUNDS .....	70 KIAS
2100 POUNDS .....	58 KIAS

**PRECAUTIONARY LANDING WITH ENGINE POWER** . 70 KIAS

### LANDING WITHOUT ENGINE POWER

Wing Flaps UP .....	75 KIAS
Wing Flaps 10° - FULL .....	70 KIAS

## EMERGENCY PROCEDURES

Procedures in the Emergency Procedures Checklist portion of this section shown in bold faced type are immediate action items which should be committed to memory.

### ENGINE FAILURES

#### ENGINE **FAILURE** DURING TAKEOFF ROLL

1. Throttle Control - IDLE (pull full out)
2. Brakes - APPLY
3. Wing Flaps - RETRACT
4. Mixture Control - IDLE CUTOFF (pull full out)
5. MAGNETOS Switch - OFF
6. STBY BATT Switch - OFF
7. MASTER Switch (ALT and BAT) - OFF

#### ENGINE FAILURE IMMEDIATELY AFTER TAKEOFF

1. Airspeed - 75 KIAS - Flaps UP  
70 KIAS - Flaps 10° - FULL
2. Mixture Control - IDLE CUTOFF (pull full out)
3. FUEL SELECTOR Valve - PUSH DOWN and ROTATE to OFF
4. MAGNETOS Switch - OFF
5. Wing Flaps - AS REQUIRED (FULL recommended)
6. STBY BATT Switch - OFF
7. MASTER Switch (ALT and BAT) - OFF
8. Cabin Door - UNLATCH
9. Land - STRAIGHT AHEAD

#### ENGINE FAILURE DURING FLIGHT (Restart Procedures)

1. Airspeed - 76 KIAS (best glide speed)
2. FUEL SELECTOR Valve - BOTH
3. FUEL PUMP Switch - ON
4. Mixture Control - **RICH** (if restart has not occurred)

(Continued Next Page)

## **ENGINE FAILURES** (Continued)

### **ENGINE FAILURE DURING FLIGHT (Restart Procedures)** (Continued)

5. MAGNETOS Switch - BOTH (or START if propeller is stopped)

#### **NOTE**

If propeller is windmilling, engine will restart automatically within a few seconds. If propeller has stopped (possible at low speeds), turn MAGNETOS switch to START, advance throttle slowly from idle and lean the mixture from full rich as required to obtain smooth operation.

6. FUEL PUMP Switch - OFF

#### **NOTE**

If the indicated fuel flow (FFLOW GPH) immediately drops to zero, a sign of failure of the engine-driven fuel pump, return the FUEL PUMP Switch to the ON position.

## **FORCED LANDINGS**

### **EMERGENCY LANDING WITHOUT ENGINE POWER**

1. Pilot and Passenger Seat Backs - MOST UPRIGHT POSITION
2. Seats and Seat Belts - SECURE
3. Airspeed - 75 KIAS - Flaps UP  
70 KIAS - Flaps 10° - FULL
4. Mixture Control - IDLE CUTOFF (pull full out)
5. FUEL SELECTOR Valve - PUSH DOWN and ROTATE to OFF
6. MAGNETOS Switch - OFF
7. Wing Flaps - AS REQUIRED (FULL recommended)
8. STBY BATT Switch - OFF
9. MASTER Switch (ALT and BAT) - OFF (when landing is assured)
10. Doors - UNLATCH PRIOR TO TOUCHDOWN
11. Touchdown - SLIGHTLY TAIL LOW
12. Brakes - APPLY HEAVILY

(Continued Next Page)

## **FORCED LANDINGS** (Continued)

### **PRECAUTIONARY LANDING WITH ENGINE POWER**

1. Pilot and Passenger Seat Backs - MOST UPRIGHT POSITION
2. Seats and Seat Belts - SECURE
3. Airspeed - 75 KIAS
4. Wing Flaps - 20"
5. Selected Field - FLY OVER, noting terrain and obstructions.
6. Wing Flaps - FULL (on final approach)
7. Airspeed - 70 KIAS
8. STBY BATT Switch - OFF
9. MASTER Switch (ALT and BAT) - OFF (when landing assured)
10. Doors - UNLATCH PRIOR TO TOUCHDOWN
11. Touchdown - SLIGHTLY TAIL LOW
12. Mixture Control - IDLE CUTOFF (pull full out)
13. MAGNETOS Switch - OFF
14. Brakes - APPLY HEAVILY

### **DITCHING**

1. Radio - TRANSMIT MAYDAY on 121.5 MHz, (Give location, intentions and SQUAWK 7700)
2. Heavy Objects (in baggage area) - SECURE OR JETTISON (if possible)
3. Pilot and Passenger Seat Backs - MOST UPRIGHT POSITION
4. Seats and Seat Belts - SECURE
5. Wing Flaps - 20" - FULL
6. Power - ESTABLISH 300 FT/MIN DESCENT AT 65 KIAS

#### **NOTE**

If no power is available, approach at 70 KIAS with Flaps UP or at 65 KIAS with Flaps 10".

7. Approach - High Winds, Heavy Seas - INTO THE WIND  
Light Winds, Heavy Swells - PARALLEL TO SWELLS
8. Cabin Doors - UNLATCH
9. Touchdown - LEVEL ATTITUDE AT ESTABLISHED RATE-OF-DESCENT.

(Continued Next Page)

## FORCED LANDINGS (Continued)

### DITCHING (Continued)

10. Face - CUSHION at touchdown with folded coat
11. ELT - ACTIVATE
12. Airplane - EVACUATE THROUGH CABIN DOORS. If necessary, open window and flood cabin to equalize pressure so doors can be opened.
13. Life Vests and Raft - INFLATE WHEN CLEAR OF AIRPLANE

## FIRES

### DURING START ON GROUND

1. MAGNETOS Switch - START (continue cranking to start the engine)

### IF ENGINE STARTS

2. Power - 1800 RPM for a few minutes
3. Engine - SHUTDOWN and inspect for damage

### IF ENGINE FAILS TO START

2. Throttle Control - FULL (push full in)
3. Mixture Control - IDLE CUTOFF (pull full out)
4. MAGNETOS Switch - START (continue cranking)
5. FUEL SELECTOR Valve - PUSH DOWN and ROTATE to OFF
6. FUEL PUMP Switch - OFF
7. MAGNETOS Switch - OFF
8. **STBY** BATT Switch - OFF
9. MASTER Switch (ALT and BAT) - OFF
10. Engine - SECURE
11. Parking Brake - RELEASE
12. Fire Extinguisher - OBTAIN (have ground attendants obtain if not installed)
13. Airplane - EVACUATE
14. Fire - EXTINGUISH using fire extinguisher, wool blanket, or dirt.
15. Fire Damage - INSPECT (Repair or replace damaged components and/or wiring before conducting another flight)

(Continued Next Page)

## **FIRES** (Continued)

### ENGINE FIRE IN FLIGHT

1. Mixture Control - IDLE CUTOFF (pull full out)
2. **FUEL** SELECTOR Valve - PUSH DOWN and ROTATE to OFF
3. FUEL PUMP Switch - OFF
4. MASTER Switch (ALT and BAT) - OFF
5. Cabin Heat and Air - OFF (except overhead vents)
6. Airspeed - 100 KIAS. (If fire is not extinguished, increase glide speed to find an airspeed, within airspeed limitations, which will provide an incombustible mixture)
7. Forced Landing - EXECUTE, Refer to EMERGENCY LANDING WITHOUT ENGINE POWER

### ELECTRICAL FIRE IN FLIGHT

1. **STBY** BATT Switch - OFF
2. MASTER Switch (ALT and BAT) - OFF
3. **Vents/Cabin Air/Heat** - CLOSED
4. Fire Extinguisher - ACTIVATE (if available)
5. AVIONICS Switch (BUS 1 and BUS 2) - OFF
6. All Other Switches (except MAGNETOS switch) - OFF

### WARNING

AFTER THE FIRE EXTINGUISHER HAS BEEN USED, MAKE SURE THAT THE FIRE IS **EXTINGUISHED** BEFORE EXTERIOR AIR IS USED TO REMOVE SMOKE FROM THE CABIN.

7. Vents/Cabin Air/Heat - OPEN (When sure that fire is completely extinguished)

(Continued Next Page)

## FIRES (Continued)

### ELECTRICAL FIRE IN FLIGHT (Continued)

IF FIRE HAS BEEN EXTINGUISHED AND ELECTRICAL POWER IS NECESSARY FOR CONTINUED FLIGHT TO NEAREST SUITABLE AIRPORT OR LANDING AREA

8. Circuit Breakers - CHECK for OPEN circuit(s), do not reset.
9. MASTER Switch (ALT and BAT) - ON
10. STBY BATT Switch - ON
11. AVIONICS Switch (BUS 1) - ON
12. AVIONICS Switch (BUS 2) - ON

### CABIN FIRE

1. **STBY** BATT Switch - OFF
2. MASTER Switch (ALT and BAT) - OFF
3. **Vents/Cabin Air/Heat** - CLOSED (to avoid drafts)
4. Fire Extinguisher - ACTIVATE (if available)

### WARNING

AFTER THE FIRE EXTINGUISHER HAS BEEN USED, MAKE SURE THAT THE FIRE IS **EXTINGUISHED** BEFORE EXTERIOR AIR IS USED TO REMOVE SMOKE FROM THE CABIN.

5. Vents/Cabin Air/Heat - OPEN (When sure that fire is completely extinguished)
6. Land the airplane as soon as possible to inspect for damage.

### WING FIRE

1. LAND and **TAXI** Light Switches - OFF
2. NAV Light Switch - OFF
3. STROBE Light Switch - OFF
4. **PITOT** HEAT Switch - OFF

### NOTE

Perform a sideslip to keep the flames away from the fuel tank and cabin. Land as soon as possible using flaps only as required for final approach and touchdown.



## ICING

### INADVERTENT ICING ENCOUNTER DURING FLIGHT

1. **PITOT HEAT Switch - ON**
2. **Turn back or change altitude** to obtain an outside air temperature that is less conducive to icing.
3. **Pull cabin heat control full out and rotate defroster control clockwise** to obtain maximum defroster airflow.
4. Increase engine speed to minimize ice build-up on propeller blades. If excessive vibration is noted, momentarily reduce engine speed to 2200 RPM with the propeller control, and then rapidly move the control forward.

#### NOTE

Cycling the RPM flexes the propeller blades and high RPM increases centrifugal force, causing ice to shed more rapidly.

5. Watch for signs of induction air filter icing. A loss of manifold pressure could be caused by ice blocking the air intake filter. Adjust the throttle as necessary to hold manifold pressure. Adjust mixture, as necessary, for any change in power settings.
6. Plan a landing at the nearest airport. With an extremely rapid ice build-up, select a suitable "off airport" landing site.
7. With an ice accumulation of 0.25 inch or more on the wing leading edges, be prepared for significantly higher power requirements, higher approach and stall speeds, and a longer landing roll.
8. Leave wing flaps retracted. With a severe ice build-up on the horizontal tail, the change in wing wake airflow direction caused by wing flap extension could result in a loss of elevator effectiveness.
9. Open left window and, if practical, scrape ice from a portion of the windshield for visibility in the landing approach.
10. Perform a landing approach using a forward slip, if necessary, for improved visibility.
11. Approach at 80 to 90 KIAS depending upon the amount of the ice accumulation.
12. Perform a landing in level attitude.
13. Missed approaches should be avoided whenever possible because of severely reduced climb capability.

## **ICING** (Continued)

### **STATIC SOURCE BLOCKAGE (ERRONEOUS INSTRUMENT READING SUSPECTED)**

1. **ALT STATIC AIR Valve - PULL ON**
2. CABIN HT and CABIN AIR Knobs - PULL ON
3. Vents - CLOSED
4. Airspeed - Refer to Section 5, Figure 5-1 (Sheet 2) Airspeed Calibration, Alternate Static Source correction chart.
5. Altitude - Refer to Section 5, Figure 5-2, Altimeter Correction, Alternate Static Source correction chart.

## **EXCESSIVE FUEL VAPOR**

### **FUEL FLOW STABILIZATION PROCEDURES**

**(If flow fluctuations of 1 GPH or more, or power surges occur.)**

1. FUEL PUMP Switch - ON
2. Mixture Control - ADJUST (As necessary for smooth engine operation)
3. Fuel Selector Valve - SELECT OPPOSITE TANK (if vapor symptoms continue)
4. FUEL PUMP Switch - OFF (after fuel flow has stabilized)

## **ABNORMAL LANDINGS**

### **LANDING WITH A FLAT MAIN TIRE**

1. Approach - NORMAL
2. Wing Flaps - FULL
3. Touchdown - GOOD MAIN TIRE FIRST (Hold airplane off flat tire as long as possible with aileron control)
4. Directional Control - MAINTAIN (Using brake on good wheel as required)

### **LANDING WITH A FLAT NOSE TIRE**

1. Approach - NORMAL
2. Wing Flaps - AS REQUIRED
  - 120 to 140 KIAS - Flaps Up - 10"
  - 100 to 120 KIAS - Flaps 10° - 20"
  - Below 100 KIAS - Flaps FULL
3. Touchdown - ON MAINS (Hold nosewheel off the ground as long as possible)
4. When nosewheel touches down, maintain full up elevator as airplane slows to stop.

## **ELECTRICAL POWER SUPPLY SYSTEM MALFUNCTIONS**

### **HIGH VOLTS ANNUNCIATOR COMES ON OR M BAT AMPS MORE THAN 40**

1. MASTER Switch (ALT Only) - OFF
2. Electrical Load - REDUCE IMMEDIATELY as follows:
  - a. AVIONICS Switch (BUS 1) - OFF
  - b. PITOT HEAT - OFF
  - c. BEACON Light - OFF
  - d. LAND Light - OFF (Use as required for landing)
  - e. TAXI Light - OFF
  - f. NAV Lights - OFF
  - g. STROBE Lights - OFF
  - h. CABIN PWR 12V - OFF

#### **NOTE**

- The Main Battery supplies electrical power to the Main and Essential Buses until M BUS VOLTS decreases below 20 volts. When M BUS VOLTS falls below 20 volts, the Standby Battery System will automatically supply electrical power to the Essential Bus for at least 30 minutes.
- Select COM1 MIC and NAV1 on the audio panel and tune to the active frequency before setting AVIONICS BUS 2 to OFF. If COM2 MIC and NAV2 are selected when AVIONICS BUS 2 is set to off, the COM and NAV radios cannot be tuned.

(Continued Next Page)

## **ELECTRICAL P O W E R     S U P P L Y     S Y S T E M** **MALFUNCTIONS** (Continued)

### **HIGH VOLTS ANNUNCIATOR COMES ON OR M BAT AMPS MORE THAN 40** (Continued)

- i. COM1 and NAV1 - TUNE TO ACTIVE FREQUENCY
- j. COM1 MIC and NAV1 - SELECT (COM2 MIC and NAV2 will be inoperative once AVIONICS BUS 2 is selected to OFF).

#### **NOTE**

When AVIONICS BUS 2 is set to OFF, the following items will not operate:

KAP 140 Autopilot	GMA 1347 Audio Panel
COMM 2	NAV 2
GTX 33 Transponder	GDU 1040 MFD

- k. AVIONICS Switch (BUS 2) - OFF (KEEP ON if in clouds)
3. Land as soon as practical.

#### **NOTE**

Make sure a successful landing is possible before extending flaps. The flap motor is a large electrical load during operation.

(Continued Next Page)

## **ELECTRICAL POWER SUPPLY SYSTEM MALFUNCTIONS** (Continued)

### **LOW VOLTS ANNUNCIATOR COMES ON BELOW 1000 RPM**

1. Throttle Control - 1000 RPM
2. Low Voltage Annunciator (LOW VOLTS) - CHECK OFF

### **LOW VOLTS ANNUNCIATOR REMAINS ON AT 1000 RPM**

3. Authorized maintenance personnel must do electrical system inspection prior to next flight.

### **LOW VOLTS ANNUNCIATOR COMES ON OR DOES NOT GO OFF AT HIGHER RPM**

1. MASTER Switch (ALT Only) - OFF
2. Alternator Circuit Breaker (ALT FIELD) - CHECK IN
3. MASTER Switch (ALT and BAT) - ON
4. Low Voltage Annunciator (LOW VOLTS) - CHECK OFF
5. M BUS VOLTS - CHECK 27.5 V minimum
6. M BAT AMPS - CHECK CHARGING (+)

### **IF LOW VOLTS ANNUNCIATOR REMAINS ON**

7. MASTER Switch (ALT Only) - OFF
8. Electrical Load - REDUCE IMMEDIATELY as follows:
  - a. AVIONICS Switch (BUS 1) - OFF
  - b. PITOT HEAT - OFF
  - c. BEACON Light - OFF
  - d. LAND Light - OFF (use as required for landing)
  - e. TAXI Light - OFF
  - f. NAV Lights - OFF
  - g. STROBE Lights - OFF
  - h. CABIN PWR 12V - OFF

(Continued Next Page)

## **ELECTRICAL POWER SUPPLY SYSTEM** **MALFUNCTIONS** (Continued)

IF LOW VOLTS ANNUNCIATOR REMAINS ON (Continued)

### NOTE

- The Main Battery supplies electrical power to the Main and Essential Buses until M BUS VOLTS decreases below 20 volts. When M BUS VOLTS falls below 20 volts, the Standby Battery System will automatically supply electrical power to the Essential Bus for at least 30 minutes.
- Select COM1 MIC and NAV1 on the audio panel and tune to the active frequency before setting AVIONICS BUS 2 to OFF. If COM2 MIC and NAV2 are selected when AVIONICS BUS 2 is set to OFF, the COM and NAV radios cannot be tuned.
  - i. COM1 and NAV1 - TUNE TO ACTIVE FREQUENCY
  - j. COM1 MIC and NAV1 - SELECT (COM2 MIC and NAV2 will be inoperative once AVIONICS BUS 2 is selected to OFF)

### NOTE

When AVIONICS BUS 2 is set to OFF, the following items will not operate:

KAP 140 Autopilot	GMA 1347 Audio Panel
COMM 2	NAV 2
GTX 33 Transponder	GDU 1040 MFD

- k. AVIONICS Switch (BUS 2) - OFF (KEEP ON if in clouds)

(Continued Next Page)

## **ELECTRICAL POWER SUPPLY SYSTEM MALFUNCTIONS (Continued)**

### **IF LOW VOLTS ANNUNCIATOR REMAINS ON (Continued)**

9. Land as soon as practical.

#### **NOTE**

Make sure a successful landing is possible before extending flaps. The flap motor is a large electrical load during operation.

## **AIR DATA SYSTEM FAILURE**

### **RED X - PFD AIRSPEED INDICATOR**

1. ADCIAHRS Circuit Breakers - CHECK IN (ESS BUS and AVN BUS 1). If open, reset (close) circuit breaker. If circuit breaker opens again, do not reset.
2. Standby Airspeed Indicator - USE FOR AIRSPEED INFORMATION

### **RED X - PFD ALTITUDE INDICATOR**

1. ADC/AHRS Circuit Breakers - CHECK IN (ESS BUS and AVN BUS 1). If open, reset (close) circuit breaker. If circuit breaker opens again, do not reset.
2. Standby Altimeter - CHECK current barometric pressure SET. USE FOR ALTITUDE INFORMATION



## **ATTITUDE AND HEADING REFERENCE SYSTEM (AHRS) FAILURE**

### **RED X - PFD ATTITUDE INDICATOR**

1. ADCIAHRS Circuit Breakers - CHECK IN (ESS BUS and AVN BUS 1). If open, reset (close) circuit breaker. If circuit breaker opens again, do not reset.
2. Standby Attitude Indicator - USE FOR ATTITUDE INFORMATION

### **RED X - HORIZONTAL SITUATION INDICATOR (HSI)**

1. ADC/AHRS Circuit Breakers - CHECK IN (ESS BUS and AVN BUS 1). If open, reset (close) circuit breaker. If circuit breaker opens again, do not reset.
2. Non-Stabilized Magnetic Compass - USE FOR HEADING INFORMATION

## **DISPLAY COOLING ADVISORY**

### **PFD1 COOLING OR MFD1 COOLING ANNUNCIATOR(S)**

1. Cabin Heat (CABIN HT) - REDUCE (minimum preferred)
2. Forward Avionics Fan - CHECK (feel for airflow from screen on glareshield)

### **IF FORWARD AVIONICS FAN HAS FAILED**

3. STBY BATT Switch - OFF (unless needed for emergency power)

### **IF PFD1 COOLING OR MFD1 COOLING ANNUNCIATOR DOES NOT GO OFF WITHIN 3 MINUTES OR IF BOTH PFD1 COOLING AND MFD1 COOLING ANNUNCIATORS COME ON**

3. STBY BATT Switch - OFF (land as soon as practical)

## VACUUM SYSTEM FAILURE

### LOW VACUUM ANNUNCIATOR COMES ON

1. **Vacuum Indicator (VAC) - CHECK EIS SYSTEM** page to make sure vacuum pointer is in green arc limits.

#### CAUTION

IF VACUUM POINTER IS OUT OF THE GREEN ARC DURING FLIGHT OR THE GYRO FLAG IS SHOWN ON THE STANDBY ATTITUDE INDICATOR, THE STANDBY ATTITUDE INDICATOR MUST NOT BE USED FOR ATTITUDE INFORMATION.

## HIGH CARBON MONOXIDE (CO) LEVEL ANNUNCIATOR (if installed)

### CO LVL HIGH ANNUNCIATOR COMES ON

1. **CABIN HT Knob - OFF** (push full in)
2. **CABIN AIR Knob - ON** (pull full out)
3. **Cabin Vents - OPEN**
4. Cabin Windows - OPEN (175 KIAS maximum windows open speed)

### CO LVL HIGH ANNUNCIATOR REMAINS ON

5. Land as soon as practical.

## AMPLIFIED EMERGENCY PROCEDURES

The following Amplified Emergency Procedures provide additional information beyond that in the Emergency Procedures Checklists portion of this section. These procedures also include information not readily adaptable to a checklist format, and material to which a pilot could not be expected to refer in resolution of a specific emergency. This information should be reviewed in detail prior to flying the airplane, as well as reviewed on a regular basis to keep pilot's knowledge of procedures fresh.

### ENGINE FAILURE

If an engine failure occurs during the takeoff roll, stop the airplane on the remaining runway. Those extra items on the checklist will provide added safety after a failure of this type.

If an engine failure occurs immediately after takeoff, in most cases, the landing should be planned straight ahead with only small changes in direction to avoid obstructions. Altitude and airspeed are seldom sufficient to execute the 180° gliding turn necessary to return to the runway. The checklist procedures assume that adequate time exists to secure the fuel and ignition systems prior to touchdown.

[After an engine failure in flight, the most important task is to continue flying the airplane. The best glide speed, as shown in Figure 3-1, should be established as quickly as possible. While gliding toward a suitable landing area, an effort should be made to identify the cause of the failure. If time permits, an engine restart should be attempted as shown in the checklist. If the engine cannot be restarted, a forced landing without power must be completed.

### MAXIMUM GLIDE

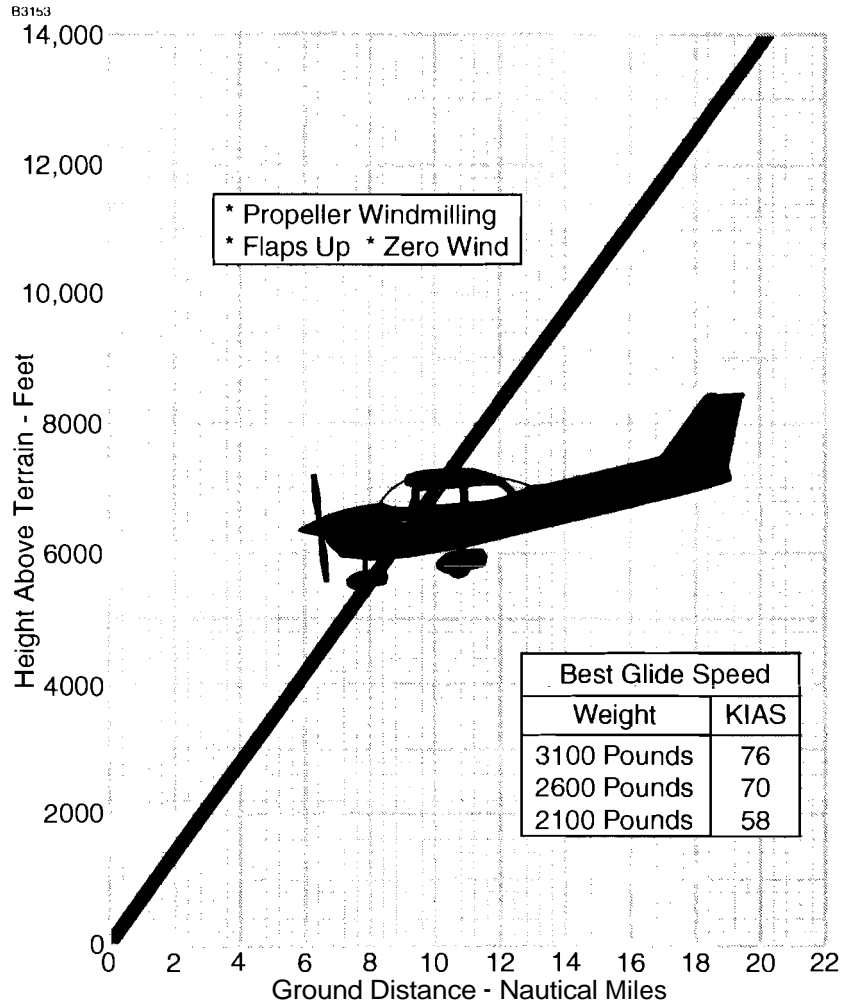


Figure 3-1

## FORCED LANDINGS

If all attempts to restart the engine fail and a forced landing is imminent, select a suitable field and prepare for the landing as discussed under the Emergency Landing Without Engine Power checklist. Transmit Mayday message on 121.5 MHz giving location and intentions and squawk 7700.

Before attempting an "off-airport" landing with engine power available, one should fly over the landing area at a safe, but low altitude, to inspect the terrain for obstructions and surface conditions, proceeding as discussed in the Precautionary Landing With Engine Power checklist.

Prepare for ditching by securing or jettisoning heavy objects located in the baggage area and collect folded coats for protection of occupants' face at touchdown. Transmit Mayday messages on 121.5 MHz giving location and intentions and squawk 7700. Avoid a landing flare because of the difficulty in judging height over a water surface. The checklist assumes the availability of power to make a precautionary water landing. If power is not available, use of the airspeeds noted with minimum flap extension will provide a more favorable attitude for a power off ditching.

In a forced landing situation, do not turn off the AVIONICS switch or MASTER switch until a landing is assured. Premature deactivation of the switches will disable all airplane electrical systems.

Before completing a forced landing, especially in remote and mountainous areas, activate the ELT by setting the cockpit-mounted switch to the ON position. For complete information on ELT operation, refer to Section 9, Supplements.

## LANDING WITHOUT ELEVATOR CONTROL

Trim for horizontal flight with an airspeed of approximately 80 KIAS by using throttle and elevator trim controls. Then **do not change the elevator trim control setting**; control the glide angle by adjusting power.

During the landing flare (round-out), the nose will come down when power is reduced and the airplane may touch down on the nosewheel before the main wheels. When in the flare, the elevator trim control should be adjusted toward the full nose up position and the power adjusted at the same time so that the airplane will rotate to a horizontal attitude for touchdown. Close the throttle at touchdown.

## FIRES

Improper starting procedures involving the excessive use of auxiliary fuel pump operation can cause engine flooding and subsequent collection of fuel on the parking ramp as the excess fuel drains overboard from the intake manifolds. This is sometimes experienced in difficult starts in cold weather where engine preheat service is not available. If this occurs, the airplane should be pushed away from the fuel puddle before another engine start is attempted. Otherwise, there is a possibility of raw fuel accumulations in the exhaust system igniting during an engine start, causing a long flame from the tailpipe, and possibly igniting the collected fuel on the pavement. If a fire occurs, proceed according to the checklist.

Although engine fires are extremely rare in flight, if a fire is encountered, the steps of the appropriate checklist should be followed. After completion of the checklist procedure, execute a forced landing. Do not attempt to restart the engine.

The first sign of an electrical fire is usually the smell of burning insulation. The checklist procedure should result in the elimination of the fire.

## **[EMERGENCY OPERATION IN CLOUDS**

If the engine-driven vacuum pump fails in flight, the standby attitude indicator will not be accurate. The pilot must then rely on the attitude and heading information (from the AHRS) shown on the PFD indicators. With valid HDG or GPS/NAV and blind turn coordinator inputs, autopilot operation will not be affected.

If the AHRS unit fails in flight (red X's shown through the PFD attitude and heading indicators), the pilot must rely on the standby attitude indicator and non-stabilized magnetic compass for attitude and heading information.

The autopilot will not operate in HDG mode without AHRS input. With a valid GPS or NAV input and a good blind turn coordinator, the autopilot will operate in NAV, APR or REV modes. Autopilot altitude hold and vertical speed operating modes are independent of AHRS operation. Refer to Section 9, Supplements, for additional details on autopilot operations.

The following instructions assume that the pilot is not very proficient at instrument flying and is flying the airplane without the autopilot engaged.

(Continued Next Page)

## **EMERGENCY OPERATION IN CLOUDS** (Continued) **|**

### **EXECUTING A 180° TURN IN CLOUDS (AHRS FAILED)**

Upon inadvertently entering the clouds, an immediate turn to reverse course and return to VFR conditions should be made as follows:

#### AHRS Failure

1. Note the non-stabilized magnetic compass heading.
2. Set rudder trim to the neutral position.
3. Using the standby attitude indicator, initiate a 15" bank left turn. Keep feet off rudder pedals. Maintain altitude and 15" bank angle. Continue the turn for 60 seconds, then roll back to level flight.
4. When the compass card becomes sufficiently stable, check the accuracy of the turn by verifying that the compass heading approximates the reciprocal of the original heading.
5. If necessary, adjust the heading by keeping the wings level and using the rudder to make skidding turns (the compass will read more accurately) to complete the course reversal.
6. Maintain altitude and airspeed by cautious application of elevator control. Keep the roll pointer and index aligned and steer only with rudder.

(Continued Next Page)



## **(EMERGENCY OPERATION IN CLOUDS (Continued))**

### **EMERGENCY DESCENT THROUGH CLOUDS (AHRS FAILED)**

When returning to VFR flight after a 180° turn is not practical, a descent through the clouds to VFR conditions below may be appropriate. If possible, obtain an ATC clearance for an emergency descent through the clouds.

#### AHRS Failure

Choose an easterly or westerly heading to minimize non-stabilized magnetic compass card sensitivity. Occasionally check the compass heading and make minor corrections to hold an approximate course. The autopilot may be engaged in ROL mode to keep the wings level and VS mode to control rate-of-descent.

Before descending into the clouds, prepare for a stabilized descent as follows:

1. Apply full rich mixture.
2. Set rudder trim to neutral position.
3. Turn pitot heat on.
4. Set power for a 500 to 800 feet per minute rate-of-descent.
5. Set the elevator trim for a stabilized descent at 80 KIAS.
6. Use the standby attitude indicator roll pointer and index to keep wings level.
7. Check trend of compass card movement and make cautious corrections with rudder to stop the turn.
8. Upon breaking out of clouds, resume normal cruising flight.

(Continued Next Page)

## **EMERGENCY OPERATION IN CLOUDS** (Continued) **I**

### **EXECUTING A 180° TURN IN CLOUDS (AHRS FAILED)**

Upon inadvertently entering the clouds, an immediate turn to reverse course and return to VFR conditions should be made as follows:

#### AHRS Failure

1. Note the non-stabilized magnetic compass heading.
2. Set rudder trim to the neutral position.
3. Using the standby attitude indicator, initiate a 15° bank left turn. Keep feet off rudder pedals. Maintain altitude and 15° bank angle. Continue the turn for 60 seconds, then roll back to level flight.
4. When the compass card becomes sufficiently stable, check the accuracy of the turn by verifying that the compass heading approximates the reciprocal of the original heading.
5. If necessary, adjust the heading by keeping the wings level and using the rudder to make skidding turns (the compass will read more accurately) to complete the course reversal.
6. Maintain altitude and airspeed by cautious application of elevator control. Keep the roll pointer and index aligned and steer only with rudder.

(Continued Next Page)

## **EMERGENCY OPERATION IN CLOUDS** (Continued)

### **EMERGENCY DESCENT THROUGH CLOUDS (AHRS FAILED)**

When returning to VFR flight after a 180° turn is not practical, a descent through the clouds to VFR conditions below may be appropriate. If possible, obtain an ATC clearance for an emergency descent through the clouds.

#### AHRS Failure

Choose an easterly or westerly heading to minimize non-stabilized magnetic compass card sensitivity. Occasionally check the compass heading and make minor corrections to hold an approximate course. The autopilot may be engaged in ROL mode to keep the wings level and VS mode to control rate-of-descent.

Before descending into the clouds, prepare for a stabilized descent as follows:

1. Apply full rich mixture.
2. Set rudder trim to neutral position.
3. Turn pitot heat on.
4. Set power for a 500 to 800 feet per minute rate-of-descent.
5. Set the elevator trim for a stabilized descent at 80 KIAS.
6. Use the standby attitude indicator roll pointer and index to keep wings level.
7. Check trend of compass card movement and make cautious corrections with rudder to stop the turn.
8. Upon breaking out of clouds, resume normal cruising flight.

(Continued Next Page)

## **EMERGENCY OPERATION IN CLOUDS) (Continued)**

### **RECOVERY FROM SPIRAL DIVE IN THE CLOUDS (AHRS FAILED)**

#### AHRS Failure

If a spiral is entered while in the clouds, continue as follows:

1. Retard throttle to idle position.
2. Remove feet from rudder pedals.
3. Stop turn by carefully leveling the wings using aileron control to align the roll index and roll pointer of the standby attitude indicator.
4. Cautiously apply elevator back pressure to slowly reduce the airspeed to 80 KIAS.
5. Adjust the elevator trim control to maintain an 80 KIAS glide.
6. Set rudder trim to neutral position.
7. Use aileron control to maintain wings level (keep roll pointer and index aligned) and constant heading.
8. Resume EMERGENCY DESCENT THROUGH THE CLOUDS procedure.
9. Upon breaking out of clouds, resume normal cruising flight.

### **INADVERTENT FLIGHT INTO ICING CONDITIONS**

Flight into icing conditions is prohibited and extremely dangerous. An inadvertent encounter with these conditions can be resolved using the checklist procedures. The best action is to turn back or change altitude to escape icing conditions. Set the PITOT HEAT switch to the ON position until safely out of icing conditions.

During these encounters, an unexplained loss of manifold pressure could be caused by ice blocking the air intake filter or in extremely rare instances ice completely blocking the fuel injection air reference tubes. In either case, the throttle should be positioned to hold manifold pressure (in some instances, the throttle may need to be retarded for maximum power). Adjust mixture, as necessary, for any change in power settings.

## STATIC SOURCE BLOCKED

If erroneous readings of the static source instruments (airspeed, altimeter and vertical speed) are suspected, the ALT STATIC AIR valve should be pulled ON, thereby supplying static pressure to these instruments from the cabin.

When the ALT STATIC AIR valve is ON, the maximum airspeed variation from normal static source operation is 5 knots and the maximum altimeter variation is 80 feet (all windows closed). Refer to Section 5, Airspeed Calibration and Altimeter Correction tables for Alternate Static Source for additional details.

## SPINS

Intentional spins are prohibited in this airplane, but should an inadvertent spin occur, the following recovery procedure should be used:

1. RETARD THROTTLE TO IDLE POSITION.
2. PLACE AILERONS IN NEUTRAL POSITION.
3. APPLY AND **HOLD** FULL RUDDER OPPOSITE TO THE DIRECTION OF ROTATION.
4. JUST **AFTER** THE RUDDER REACHES THE STOP, MOVE THE CONTROL WHEEL **BRISKLY** FORWARD FAR ENOUGH TO BREAK THE STALL. Full down elevator may be required at aft center-of-gravity loadings to assure optimum recoveries.
5. **HOLD** THESE CONTROL INPUTS UNTIL ROTATION STOPS. Premature relaxation of the control inputs may extend the recovery.
6. AS ROTATION STOPS, NEUTRALIZE RUDDER, AND MAKE A SMOOTH RECOVERY FROM THE RESULTING DIVE.

### NOTE

If the rate of the spin makes determining the direction of rotation difficult, the magenta turn rate indicator at the top of the HSI compass card will show the rate and direction of the turn. The HSI compass card will rotate in the opposite direction. Hold opposite rudder to the turn vector direction.

## **ROUGH ENGINE OPERATION OR LOSS OF POWER**

### **SPARK PLUG FOULING**

A slight engine roughness in flight may be caused by one or more spark plugs becoming fouled by carbon or lead deposits. This may be verified by turning the MAGNETOS switch momentarily from BOTH to either L or R position. An obvious power loss in single magneto operation is evidence of spark plug or magneto trouble. Since spark plugs are the more likely cause, lean the mixture to the recommended lean setting for cruising flight. If the problem does not clear up in several minutes, determine if a richer mixture setting will produce smoother operation. If not, proceed to the nearest airport for repairs using the BOTH position of the MAGNETOS switch unless extreme roughness makes the use of a single MAGNETO position necessary.

### **MAGNETO MALFUNCTION**

Sudden engine roughness or misfiring is usually a sign of a magneto problem. Changing the MAGNETOS switch from BOTH to the L and R switch positions will identify which magneto is malfunctioning. Select different power settings and enrichen the mixture to determine if continued operation on BOTH magnetos is possible. If not, change to the good magneto and continue to the nearest airport for repairs.

### **ENGINE-DRIVEN FUEL PUMP FAILURE**

Failure of the engine-driven fuel pump will be shown by a sudden reduction in the fuel flow indication (FFLOW GPH) **immediately before a loss of power** while operating from a fuel tank containing adequate fuel.

If the engine-driven fuel pump fails, immediately set the FUEL PUMP switch to the ON position to restore engine power. The flight should be terminated as soon as practical and the engine-driven fuel pump repaired.

(Continued Next Page)

## **ROUGH ENGINE OPERATION OR LOSS OF POWER** (Continued)

### **EXCESSIVE FUEL VAPOR**

Fuel vapor in the fuel injection system is most likely to occur on the ground, typically during prolonged taxi operations, when operating at higher altitudes and/or in unusually warm temperatures.

Excessive fuel vapor accumulation is shown by fuel flow indicator (FFLOW GPH) fluctuations greater than 1 gal./hr. This condition, with leaner mixtures or with larger fluctuations, can result in power surges, and if not corrected, may cause power loss.

To slow vapor formation and stabilize fuel flow on the ground or in the air, set the FUEL PUMP switch to the ON position and adjust the mixture as required for smooth engine operation. If vapor symptoms continue, select the opposite fuel tank. When fuel flow stabilizes, set the FUEL PUMP switch to the OFF position and adjust the mixture as desired.

### **LOW OIL PRESSURE**

If the low oil pressure annunciator (OIL PRESS) comes on, check the oil pressure indicator (OIL PRES on ENGINE page or OIL PSI on SYSTEM page) to confirm low oil pressure condition. If oil pressure and oil temperature (OIL TEMP on ENGINE page or OIL °F on SYSTEM page) remain normal, it is possible that the oil pressure sending unit or relief valve is malfunctioning. Land at the nearest airport to determine the source of the problem.

If a total loss of oil pressure and a rise in oil temperature occur at about the same time, it could mean that the engine is about to fail. Reduce power immediately and select a field suitable for a forced landing. Use only the minimum power necessary to reach the landing site.

## **ELECTRICAL POWER SUPPLY SYSTEM MALFUNCTIONS**

Malfunctions in the electrical power supply system can be detected through regular monitoring of the main battery ammeter (M BAT AMPS) and the main electrical bus voltmeter (M BUS VOLTS); however, the cause of these malfunctions is usually difficult to determine. A broken alternator drive belt, too much wear on the alternator brushes, or an error in wiring is most likely the cause of alternator failures, although other factors could cause the problem. A defective alternator control unit (ACU) can also cause malfunctions. Problems of this nature constitute an electrical emergency and should be dealt with immediately. Electrical power malfunctions usually fall into two categories: excessive rate-of-charge and insufficient rate-of-charge. The following paragraphs describe the recommended remedy for each situation.

### **EXCESSIVE RATE-OF-CHARGE**

After engine starting and heavy electrical usage at low engine speeds (such as extended taxiing) the battery condition will be low enough to accept above normal charging during the initial part of a flight. However, after thirty minutes of cruising flight, the main battery ammeter (M BAT AMPS) should be indicating less than 5 amps of charging (+) current. If the charging current remains above this value on a long flight, the battery electrolyte could overheat and evaporate.

Electronic components in the electrical system can be adversely affected by higher than normal voltage. The alternator control unit includes an overvoltage sensor circuit which will automatically disconnect the alternator if the charge voltage increases to more than approximately 31.75 volts. If the overvoltage sensor circuit does not operate correctly, as shown by voltage more than 31.75 volts on the main battery bus voltmeter, the MASTER switch ALT section should be set to the OFF position. Unnecessary electrical equipment should be de-energized and the flight terminated as soon as practical.

(Continued Next Page)



## **ELECTRICAL POWER SUPPLY SYSTEM MALFUNCTIONS** (Continued)

### **INSUFFICIENT RATE-OF-CHARGE**

When the over-voltage sensor circuit, or other fault, opens the alternator (ALT FIELD) circuit breaker and de-energizes the alternator, a discharge (-) current will be shown on the main battery ammeter and the low voltage annunciator (LOW VOLTS) will come on. The ACU can de-energize the alternator due to minor disturbances in the electrical system, resulting in a "nuisance" opening of the ALT FIELD circuit breaker. If this happens, an attempt should be made to energize the alternator system.

To energize the alternator system

1. MASTER Switch (ALT Only) - OFF.
2. Alternator Circuit Breaker (ALT FIELD) - CHECK IN.
3. MASTER Switch (ALT Only) - ON.

If the problem was a minor ACU disturbance in the electrical system, normal main battery charging will start. A charge (+) current will be shown on the main battery ammeter and the LOW VOLTS annunciator will go off.

If the LOW VOLTS annunciator comes on again, there is an alternator system problem. Do not repeat steps to energize the alternator system. The electrical load on the battery must be minimized (by de-energizing nonessential electrical equipment and avionics) because the battery can supply the electrical system for only a short time. Reduce electrical load as soon as possible to extend the life of the battery for landing. Land as soon as practical.

(Continued Next Page)

**ELECTRICAL POWER SUPPLY**  
**MALFUNCTIONS** (Continued)

INSUFFICIENT RATE-OF-CHARGE (Continued)

Main battery life can be extended by setting the MASTER switch (ALT and BAT) to OFF and operating the equipment on the ESS BUS from the standby battery. The standby battery is only capable of providing power for systems on the Essential Bus and cannot provide power for transponder (XPDR) operation. Main battery life should be extended, when practical, for possible later operation of the wing flaps and use of the landing light (at night).

NOTE

The LOW VOLTS annunciator can come on when the engine is operated at low RPM with a high electrical load. The LOW VOLTS annunciator will usually go off when the engine is operated at higher RPM for greater alternator system output. Make sure that the M BATT AMPS indication shows positive (+) current at the higher RPM.

## **HIGH CARBON MONOXIDE (CO) LEVEL ANNUNCIATION** (if installed)

Carbon monoxide (CO) is a colorless, odorless, tasteless product of an internal combustion engine and is always present in exhaust fumes. Even minute quantities of carbon monoxide breathed over long period of time may lead to dire consequences. The symptoms of carbon monoxide poisoning are difficult to detect by the person affected and may include blurred thinking, a feeling of uneasiness, dizziness, headache, and loss of consciousness.

The cabin heater system operates by allowing ambient air to flow through an exhaust shroud where it is heated before being ducted into the cabin. If an exhaust leak, caused by a crack in the exhaust pipe, occurs in the area surrounded by this shroud it would allow exhaust fumes to mix with the heated ambient air being ducted into the cabin. Therefore, if anyone in the cabin smells exhaust fumes, experiences any of the symptoms mentioned above, or the CO LVL HIGH warning annunciation comes on when using the cabin heater, immediately turn off the cabin heater and perform the emergency items for HIGH CARBON MONOXIDE (CO) LEVEL.

When the CO detection system senses a CO level of 50 parts per million (PPM) by volume or greater the alarm turns on a flashing warning annunciation CO LVL HIGH in the annunciation window on the PFD with a continuous tone until the PFD softkey below WARNING is pushed. It then remains on steady until the CO level drops below 50 PPM and automatically resets the alarm.

## **OTHER EMERGENCIES**

### **WINDSHIELD DAMAGE**

If a bird strike or other incident should damage the windshield in flight to the point of creating an opening, a significant loss in performance may be expected. This loss may be minimized in some cases (depending on amount of damage, altitude, etc.) by opening the side windows while the airplane is maneuvered for a landing at the nearest airport. If airplane performance or other adverse conditions prevent landing at an airport, prepare for an "off airport" landing in accordance with the Precautionary Landing With Engine Power or Ditching checklists.

# NORMAL PROCEDURES

## TABLE OF CONTENTS

	Page
Introduction .....	4-5
<b>AIRSPEEDS</b>	
Airspeeds For Normal Operation .....	4-5
<b>NORMAL PROCEDURES</b>	
Preflight Inspection .....	4-6
Cabin .....	4-7
Empennage .....	4-8
Right Wing Trailing Edge .....	4-8
Right Wing .....	4-9
Nose .....	4-10
Left Wing Leading Edge .....	4-11
Left Wing .....	4-11
Left Wing Trailing Edge .....	4-12
Before Starting Engine .....	4-12
Starting Engine (With Battery) .....	4-13
Starting Engine (With External Power) .....	4-14
Before Takeoff .....	4-16
Takeoff .....	4-19
Normal Takeoff .....	4-19
Short Field Takeoff .....	4-19
Enroute Climb .....	4-20
Normal Climb .....	4-20
Maximum Performance Climb .....	4-20
Cruise .....	4-20
Descent .....	4-21
Before Landing .....	4-22

(Continued Next Page)

**TABLE OF CONTENTS** (Continued)

	Page
<b>NORMAL PROCEDURES</b> (Continued)	
Landing .....	4-23
Normal Landing .....	4-23
Short Field Landing .....	4-23
Balked Landing .....	4-23
After Landing .....	4-24
Securing Airplane .....	4-24
<b>AMPLIFIED NORMAL PROCEDURES</b> .....	4-25
Preflight Inspection .....	4-25
Starting Engine .....	4-27
Recommended Starter Duty Cycle .....	4-28
Leaning For Ground Operations .....	4-28
Taxiing .....	4-29
Before Takeoff .....	4-31
Warm Up .....	4-31
Magneto Check .....	4-31
Alternator Check .....	4-31
Elevator Trim .....	4-32
Landing Lights .....	4-32
Takeoff .....	4-32
Power Check .....	4-32
Wing Flap Settings .....	4-33
Crosswind Takeoff .....	4-33
Enroute Climb .....	4-34
Cruise .....	4-35
Leaning Using Exhaust Gas Temperature (EGT) .....	4-37
Fuel Savings Procedures For Normal Operations .....	4-40
Fuel Vapor Procedures .....	4-41
Stalls .....	4-42

(Continued Next Page)

**TABLE OF CONTENTS** (Continued)

	Page
<b>AMPLIFIED NORMAL PROCEDURES</b> (Continued)	
Holding, Procedure Turns and Missed Approaches . . . . .	4-43
Landing . . . . .	4-47
Normal Landing . . . . .	4-47
Short Field Landing . . . . .	4-47
Crosswind Landing . . . . .	4-48
Balked Landing . . . . .	4-48
Cold Weather Operations . . . . .	4-49
Starting . . . . .	4-49
Hot Weather Operations . . . . .	4-51/4-52
Noise Characteristics . . . . .	4-51/4-52



## INTRODUCTION

Section 4 provides procedures and amplified instructions for normal operations using standard equipment. Normal procedures associated with optional systems can be found in Section 9, Supplements.

### ISF

#### AIRSPEEDS FOR NORMAL OPERATION

Unless otherwise noted, the following speeds are based on a maximum weight and may be used for any lesser weight.

##### TAKEOFF

Normal Climb	70 - 80 KIAS
Short Field Takeoff, Flaps 20°, Speed at 50 Feet	58 KIAS

##### ENROUTE CLIMB, FLAPS UP

Normal, Sea Level	85 - 95 KIAS
Best Rate-of-Climb, Sea Level	80 KIAS
Best Rate-of-Climb, 10,000 Feet	74 KIAS
Best Angle-of-Climb, Sea Level	65 KIAS
Best Angle-of-Climb, 10,000 Feet	68 KIAS

##### LANDING APPROACH

Normal Approach, Flaps LIP	70 - 80 KIAS
Normal Approach, Flaps FULL	60 - 70 KIAS
Short Field Approach, Flaps FULL	60 KIAS

##### BALKED LANDING

Maximum Power, Flaps 20°	55 KIAS
--------------------------	---------

##### MAXIMUM RECOMMENDED TURBULENT AIR PENETRATION SPEED

3100 POUNDS	110 KIAS
2600 POUNDS	101 KIAS
2100 POUNDS	91 KIAS

##### MAXIMUM DEMONSTRATED CROSSWIND VELOCITY

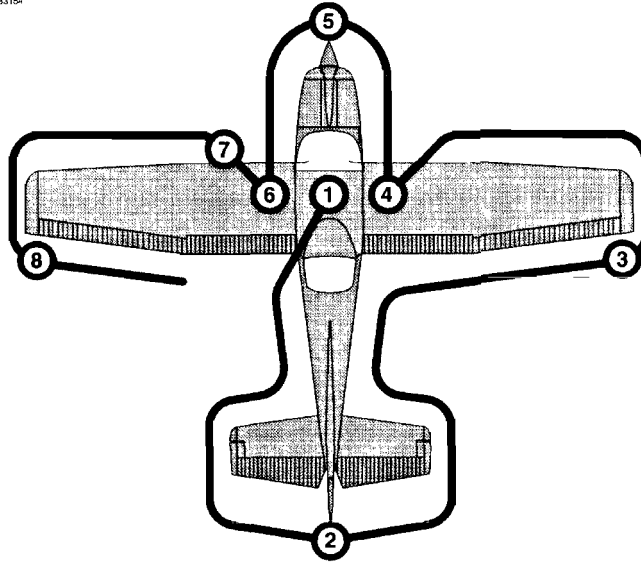
Takeoff or Landing	15 KNOTS
--------------------	----------



## NORMAL PROCEDURES

### PREFLIGHT INSPECTION

83154



078571011

#### NOTE

Visually check airplane for general condition during walk-around inspection. Airplane should be parked in a normal ground attitude (refer to Figure 1-1) to make sure that fuel drain valves allow for accurate sampling. Use of the refueling steps and assist handles will simplify access to the upper wing surfaces for visual checks and refueling operations. In cold weather, remove even small accumulations of frost, ice or snow from wing, tail and control surfaces. Also, make sure that control surfaces contain no internal accumulations of ice or debris. Prior to flight, check that pitot heater is warm to touch within 30 seconds with battery and pitot heat switches on. If a night flight is planned, check operation of all lights, and make sure a flashlight is available.

Figure 4-1

## PREFLIGHT INSPECTION (Continued)

### ① CABIN

1. Pitot Tube Cover - REMOVE (Check for pitot blockage)
2. Pilot's Operating Handbook - ACCESSIBLE TO PILOT
3. Garmin G1000™ Cockpit Reference Guide - ACCESSIBLE TO PILOT
4. Airplane Weight and Balance - CHECKED
5. Parking Brake - SET
6. Control Wheel Lock - REMOVE

### WARNING

WHEN THE MASTER SWITCH IS ON, USING AN EXTERNAL POWER SOURCE, OR MANUALLY ROTATING THE PROPELLER, TREAT THE PROPELLER AS IF THE MAGNETOS SWITCH WERE ON. DO NOT STAND, NOR ALLOW ANYONE ELSE TO STAND, WITHIN THE ARC OF THE PROPELLER SINCE A LOOSE OR BROKEN WIRE, OR A COMPONENT MALFUNCTION, COULD CAUSE THE ENGINE TO START.

7. MAGNETOS Switch - OFF
8. AVIONICS Switch (BUS 1 and BUS 2) - OFF
9. MASTER Switch (ALT and BAT) - ON
10. Primary Flight Display (PFD) - CHECK (Verify PFD is ON)
11. FUEL QTY (L and R) - CHECK
12. LOW FUEL L and LOW FUEL R Annunciators - CHECK (Verify annunciators are not shown on PFD)
13. OIL PRESSURE Annunciator - CHECK (Verify annunciator is shown)
14. LOW VACUUM Annunciator - CHECK (Verify annunciator is shown)
15. AVIONICS Switch (BUS 1) - ON
16. Forward Avionics Fan - CHECK (Verify fan is heard)

(Continued Next Page)

## **PREFLIGHT INSPECTION** (Continued)

### **① CABIN** (Continued)

17. AVIONICS Switch (BUS 1) - OFF
18. AVIONICS Switch (BUS 2) - ON
19. Aft Avionics Fan - CHECK (Verify fan is heard)
20. AVIONICS Switch (BUS 2) - OFF
21. PITOT HEAT Switch - ON (Carefully check that pitot tube is warm to the touch within 30 seconds)
22. PITOT HEAT Switch - OFF
23. Stall Warning System - CHECK (Gently move the stall vane upward and verify that the stall warning horn is heard)
24. LOW VOLTS Annunciator - CHECK (Verify annunciator is shown)
25. MASTER Switch (ALT and BAT) - OFF
26. Elevator and Rudder Trim Controls - TAKEOFF position
27. FUEL SELECTOR Valve - BOTH
28. ALT STATIC AIR Valve - OFF (pull full out)
29. Fire Extinguisher - CHECK (Verify gage pointer in green arc)

### **② EMPENNAGE**

1. Baggage Door - CHECK (lock with key)
2. Rudder Gust Lock (if installed) - REMOVE
3. Tail Tiedown - DISCONNECT
4. Control Surfaces - CHECK freedom of movement and security
5. Trim Tabs - CHECK security
6. Antennas - CHECK for security of attachment and general condition

### **③ RIGHT WING Trailing Edge**

1. Flap - CHECK for security and condition
2. Aileron - CHECK freedom of movement and security

(Continued Next Page)

## **PREFLIGHT INSPECTION** (Continued)

### **④ RIGHT WING**

1. Wing Tiedown - DISCONNECT
2. Fuel Tank Vent Opening - CHECK for blockage
3. Main Wheel Tire - CHECK for proper inflation and general condition (weather checks, tread depth and wear, etc.).
4. Fuel Tank Sump Quick Drain Valves - DRAIN

Drain at least a cupful of fuel (using sampler cup) from each sump location to check for water, sediment, and proper fuel grade before each flight and after each refueling. If water is observed, take further samples until clear and then gently rock wings and lower tail to the ground to move any additional contaminants to the sampling pints. Take repeated samples from **all** fuel drain points until **all** contamination has been removed. If contaminants are still present, refer to WARNING below and do not fly airplane.

### **NOTE**

Collect all sampled fuel in a safe container. Dispose of the sampled fuel so that it does not cause a nuisance, hazard or damage to the environment.

### **WARNING**

**IF, AFTER REPEATED SAMPLING, EVIDENCE OF CONTAMINATION STILL EXISTS, THE AIRPLANE SHOULD NOT BE FLOWN. TANKS SHOULD BE DRAINED AND SYSTEM PURGED BY QUALIFIED MAINTENANCE PERSONNEL. ALL EVIDENCE OF CONTAMINATION MUST BE REMOVED BEFORE FURTHER FLIGHT.**

5. Fuel Quantity - CHECK VISUALLY for desired level
6. Fuel Filler Cap - SECURE and VENT CLEAR

(Continued Next Page)

## PREFLIGHT INSPECTION (Continued)

### ⑤ NOSE

1. Static Source Opening (right side of fuselage) - CHECK (Verify opening is clear)
2. Fuel Strainer Quick Drain Valve (Located on lower right side of engine cowling) - DRAIN

Drain at least a cupful of fuel (using sampler cup) from valve to check for water, sediment, and proper fuel grade before each flight and after each refueling. If water is observed, take further samples until clear and then gently rock wings and lower tail to the ground to move any additional contaminants to the sampling points. Take repeated samples from all fuel drain points, including the fuel return line and fuel selector, until all contamination has been removed. If contaminants are still present, refer to WARNING below and do not fly the airplane.

#### NOTE

Collect all sampled fuel in a safe container. Dispose of the sampled fuel so that it does not cause a nuisance, hazard, or damage to the environment.

#### WARNING

**IF, AFTER REPEATED SAMPLING, EVIDENCE OF CONTAMINATION STILL EXISTS, THE AIRPLANE SHOULD NOT BE FLOWN. TANKS SHOULD BE DRAINED AND SYSTEM PURGED BY QUALIFIED MAINTENANCE PERSONNEL. ALL EVIDENCE OF CONTAMINATION MUST BE REMOVED BEFORE FURTHER FLIGHT.**

3. Engine Oil Dipstick/Filler Cap - CHECK oil level, then check dipstick/filler cap SECURE. **Do** not operate with less than 4 quarts. Fill to 9 quarts for extended flight.
4. Engine Cooling Air Inlets - CLEAR of obstructions
5. Propeller and Spinner - CHECK (for nicks, security and no red oil leaks)
6. Air Filter - CHECK for restrictions by dust or other foreign matter.

(Continued Next Page)

## **PREFLIGHT INSPECTION** (Continued)

### **⑤ NOSE** (Continued)

7. Nosewheel Strut and Tire - CHECK for proper inflation of strut and general condition of tire. (weather checks, tread depth and wear, etc.)
8. Static Source Opening (left side of fuselage) - CHECK (Verify opening is clear)

### **⑥ LEFT WING Leading Edge**

1. Fuel Tank Vent Opening - CHECK for blockage
2. Stall Warning Vane - CHECK for freedom of movement
3. Landing/Taxi Light(s) - CHECK for condition and cleanliness of cover.

### **⑦ LEFT WING**

1. Wing Tiedown - DISCONNECT
2. Fuel Quantity - CHECK VISUALLY for desired level
3. Fuel Filler Cap - SECURE and VENT CLEAR
4. Fuel Tank Sump Quick Drain Valves - DRAIN

Drain at least a cupful of fuel (using sampler cup) from each sump location to check for water, sediment, and proper fuel grade before each flight and after each refueling. If water is observed, take further samples until clear and then gently rock wings and lower tail to the ground to move any additional contaminants to the sampling points. Take repeated samples from **all** fuel drain points until **all** contamination has been removed. If contaminants are still present, refer to WARNING below and do not fly airplane.

#### **NOTE**

Collect all sampled fuel in a safe container. Dispose of the sampled fuel so that it does not cause a nuisance, hazard, or damage to the environment.

(Continued Next Page)

## **PREFLIGHT INSPECTION** (Continued)

### **⑦ LEFT WING** (Continued)

#### **WARNING**

**IF, AFTER REPEATED SAMPLING, EVIDENCE OF CONTAMINATION STILL EXISTS, THE AIRPLANE SHOULD NOT BE FLOWN. TANKS SHOULD BE DRAINED AND SYSTEM PURGED BY QUALIFIED MAINTENANCE PERSONNEL. ALL EVIDENCE OF CONTAMINATION MUST BE REMOVED BEFORE FURTHER FLIGHT.**

5. Main Wheel Tire - CHECK for proper inflation and general condition (weather checks, tread depth and wear, etc.).

### **⑧ LEFT WING Trailing Edge**

1. Aileron - CHECK freedom of movement and security.
2. Flap - CHECK for security and condition.

## **BEFORE STARTING ENGINE**

1. Preflight Inspection - COMPLETE
2. Passenger Briefing - COMPLETE
3. Seats and Seat Belts - ADJUST and LOCK (Verify inertia reel locking)
4. Brakes - TEST and SET
5. Circuit Breakers - CHECK IN
6. Electrical Equipment - OFF
7. AVIONICS Switch (BUS 1 and BUS 2) - OFF

#### **CAUTION**

**THE AVIONICS SWITCH (BUS 1 AND BUS 2) MUST BE OFF DURING ENGINE START TO PREVENT POSSIBLE DAMAGE TO AVIONICS.**

8. Cowl Flaps - OPEN
9. FUEL SELECTOR Valve - BOTH

## STARTING ENGINE (With Battery)

1. Throttle Control - OPEN 114 INCH
2. Propeller Control - HIGH RPM (push full in)
3. Mixture Control - IDLE CUTOFF (pull full out)
4. STBY BATT Switch:
  - a. TEST - (Hold for 20 seconds, verify that green TEST lamp does not go off)
  - b. ARM - (Verify that PFD comes on)
5. Engine Indicating System - CHECK PARAMETERS (Verify no red X's through ENGINE page indicators)
6. BUS E Volts - CHECK (Verify 24 VOLTS minimum shown)
7. M BUS Volts - CHECK (Verify 1.5 VOLTS or less shown)
8. BATT S Amps - CHECK (Verify discharge shown (negative))
9. STBY BATT Annunciator - CHECK (Verify annunciator is shown)
10. Propeller Area - CLEAR (Verify that all people and equipment are at a safe distance from the propeller)
11. MASTER Switch (ALT and BAT) - ON
12. BEACON Light Switch - ON

### NOTE

If engine is warm, omit priming procedure steps 13 thru 15 below.

13. FUEL PUMP Switch - ON
14. Mixture Control - SET to FULL RICH (full forward) until stable fuel flow is indicated (approximately 3 to 5 seconds) then set to IDLE CUTOFF (full aft) position.
15. FUEL PUMP Switch - OFF
16. MAGNETOS Switch - START (release when engine starts)
17. Mixture Control - ADVANCE smoothly to RICH when engine starts.

### NOTE

If the engine is primed too much (flooded), place the mixture control in the IDLE CUTOFF position, open the throttle control 112 to full, and engage the starter motor (START). When the engine starts, advance the mixture control to the FULL RICH position and retard the throttle control promptly.

(Continued Next Page)



## **STARTING ENGINE (With Battery)** (Continued)

18. OIL Pressure - CHECK (Verify that oil pressure increases into the GREEN ARC range in 30 to 60 seconds).
19. AMPS (M BATT and BATT S) - CHECK charge (positive)
20. LOW VOLTS Annunciator - CHECK (Verify annunciator is not shown)
21. NAV Lights Switch - ON as required
22. AVIONICS Switch (BUS 1 and BUS 2) - ON

## **STARTING ENGINE (With External Power)**

1. Throttle Control - OPEN 1/4 INCH
2. Propeller Control - HIGH RPM (push full in)
3. Mixture Control - IDLE CUTOFF (pull full out)
4. STBY BATT Switch:
  - a. TEST - (Hold for 20 seconds, verify green TEST lamp does not go off)
  - b. ARM - (Verify that PFD comes on)
5. Engine Indication System - CHECK PARAMETERS (Verify no red X's through ENGINE page indicators)
6. BUS E Volts - CHECK (Verify 24 VOLTS minimum shown)
7. M BUS Volts - CHECK (Verify 1.5 VOLTS or less shown)
8. BATT S Amps - CHECK (Verify discharge shown (negative))
9. STBY BATT Annunciator - CHECK (Verify annunciator is shown)
10. AVIONICS Switch (BUS 1 and BUS 2) - OFF
11. MASTER Switch (ALT and BAT) - OFF
12. Propeller Area - CLEAR (Verify that all people and equipment are at a safe distance from the propeller)
13. External Power - CONNECT to ground power receptacle
14. MASTER Switch (ALT and BAT) - ON
15. BEACON Light Switch - ON
16. M BUS VOLTS - CHECK (Verify that approximately 28 VOLTS is shown)

### **NOTE**

If engine is warm, omit priming procedure steps 17, thru 19 below.

17. FUEL PUMP Switch - ON

(Continued Next Page)

## **STARTING ENGINE (With External Power) (Continued)**

18. Mixture Control - SET to FULL RICH (full forward) until stable fuel flow is indicated (approximately 3 to 5 seconds), then set to IDLE CUTOFF (full aft) position.
19. FUEL PUMP Switch - OFF
20. MAGNETOS Switch - START (release when engine starts)
21. Mixture Control - ADVANCE smoothly to RICH when engine starts.

### **NOTE**

If the engine is primed too much (flooded), place the mixture control in the IDLE CUTOFF position, open the throttle control 1/2 to full, and engage the starter motor (START). When the engine starts, advance the mixture control to the FULL RICH position and retard the throttle control promptly.

22. Oil Pressure - CHECK (Verify oil pressure increases into the green arc range in 30 to 60 seconds)
23. Power - REDUCE to idle
24. External Power - DISCONNECT from ground power. (Latch external power receptacle door)
25. Power - INCREASE (to approximately 1500 RPM for several minutes to charge battery)
26. AMPS (M BATT and BATT S) - CHECK charge (positive)
27. LOW VOLTS Annunciator - CHECK (Verify annunciator is not shown)
28. Internal Power - CHECK
  - a. MASTER Switch (ALT) - OFF
  - b. TAXI and LANDING Light Switches - ON
  - c. Throttle Control - REDUCE to idle
  - d. MASTER Switch (ALT and BAT) - ON
  - e. Throttle Control - INCREASE (to approximately 1500 RPM)
  - f. Main Battery (M BATT) Ammeter - CHECK (Battery charging, Amps positive)
  - g. LOW VOLTAGE Annunciator - CHECK (Verify annunciator is not shown)

(Continued Next Page)

## **STARTING ENGINE (With External Power)** (Continued)

### **WARNING**

**IF M BATT (MAIN BATTERY) DOES NOT SHOW + AMPS, REMOVE THE MAIN BATTERY FROM THE AIRPLANE AND SERVICE OR REPLACE THE BATTERY BEFORE FLIGHT.**

29. NAV Lights Switch - ON as required
30. AVIONICS Switch (BUS 1 and BUS 2) - ON

### **BEFORE TAKEOFF**

1. Parking Brake - SET
2. Pilot and Passenger Seat Backs - MOST UPRIGHT POSITION
3. Seats and Seat Belts - CHECK SECURE
4. Cabin Doors - CLOSED and LOCKED
5. Flight Controls - FREE and CORRECT
6. Flight Instruments (PFD) - CHECK (no red X's)
7. Altimeters:
  - a. PFD (BARO) - SET
  - b. Standby Altimeter - SET
  - c. KAP 140 Autopilot (BARO) - SET
8. G1000 ALT SEL - SET
9. KAP 140 Altitude Preselect - SET

### **NOTE**

There is no connection between the G1000 ALT SEL feature and the KAP 140 autopilot altitude preselect or altitude hold functions. G1000 and KAP 140 altitudes are set independently.

10. Standby Flight Instruments - CHECK
11. Fuel Quantity - CHECK (Verify level is correct)

### **NOTE**

Flight is not recommended when both fuel quantity indicators are in the yellow arc range.

(Continued Next Page)

**BEFORE TAKEOFF** (Continued)

12. Mixture Control - RICH
13. FUEL SELECTOR Valve - SET BOTH
14. Elevator and Rudder Trim Controls - SET FOR TAKEOFF
15. Manual Electric Trim (MET) System - CHECK  
(Refer to the POH/AFM, Supplement 3, for Manual Electric Trim check procedures)
16. Throttle Control - 1800 RPM
  - a. MAGNETOS Switch - CHECK (RPM drop should not exceed 175 RPM on either magneto or 50 RPM differential between magnetos)
  - b. Propeller Control - CYCLE from high to low RPM; return to high RPM (full in).
  - c. VAC Indicator - CHECK
  - d. Engine Indicators - CHECK
  - e. Ammeters and Voltmeters - CHECK
17. Annunciators - CHECK (Verify no annunciators are shown)
18. Throttle Control - CHECK IDLE
19. Throttle Control - 1000 RPM or LESS
20. Throttle Control Friction Lock - ADJUST
21. COM Frequency(s) - SET
22. NAV Frequency(s) - SET
23. FMS/GPS Flight Plan - AS DESIRED

**NOTE**

Check GPS availability on AUX-GPS STATUS page.  
No annunciation is provided for loss of GPS2.

24. XPDR - SET
25. CDI Softkey - SELECT NAV source.

(Continued Next Page)

## BEFORE TAKEOFF (Continued)

### CAUTION

THE G1000 HSI SHOWS A COURSE DEVIATION INDICATOR FOR THE SELECTED GPS, NAV 1 OR NAV 2 NAVIGATION SOURCE. THE G1000 HSI DOES NOT PROVIDE A WARNING "FLAG" WHEN A VALID NAVIGATION SIGNAL IS NOT BEING SUPPLIED TO THE INDICATOR. WHEN A VALID NAVIGATION SIGNAL IS NOT BEING SUPPLIED, THE COURSE DEVIATION BAR (D-BAR) PART OF THE INDICATOR IS NOT SHOWN ON THE HSI COMPASS CARD. THE MISSING D-BAR IS CONSIDERED TO BE THE WARNING FLAG.

### WARNING

WHEN THE KAP 140 AUTOPILOT IS ENGAGED IN NAV, APR OR REV OPERATING MODES, IF THE HSI NAVIGATION SOURCE IS CHANGED FROM GPS TO **NAV1**, AUTOMATICALLY OR MANUALLY (USING THE CDI SOFTKEY), OR MANUALLY FROM **NAV2** TO GPS, THE CHANGE WILL INTERRUPT THE NAVIGATION SIGNAL TO THE AUTOPILOT AND WILL CAUSE THE AUTOPILOT TO REVERT TO ROL MODE OPERATION. NO WARNING CHIME OR PFD ANNUNCIATION WILL BE PROVIDED. THE PREVIOUSLY SELECTED MODE SYMBOL SHOWN ON THE AUTOPILOT DISPLAY WILL BE FLASHING TO SHOW THE REVERSION TO ROL MODE OPERATION. IN ROL MODE, THE AUTOPILOT WILL ONLY KEEP THE WINGS LEVEL AND WILL NOT CORRECT THE AIRPLANE HEADING OR COURSE. SET THE HDG BUG TO THE CORRECT HEADING AND SELECT **THE** CORRECT NAVIGATION SOURCE ON THE HSI USING THE CDI **SOFTKEY** BEFORE ENGAGING THE AUTOPILOT IN ANY OTHER **OPERATING** MODE.

(Continued Next Page)

## **BEFORE TAKEOFF** (Continued)

26. Autopilot - OFF
27. CABIN PWR 12V Switch - OFF (if installed)
28. Wing Flaps - UP - 20" (10" preferred)
29. Cowl Flaps - OPEN
30. Cabin Windows - CLOSED and LOCKED
31. STROBE Lights Switch - ON
32. Brakes - RELEASE

## **TAKEOFF**

### **NORMAL TAKEOFF**

1. Wing Flaps - UP - 20" (10" preferred)
2. Throttle Control - FULL (push full in)
3. Propeller Control - 2400 RPM
4. Mixture Control - RICH  
(Above 5000 feet pressure altitude, lean for maximum RPM)
5. Elevator Control - LIFT NOSEWHEEL at 50 - 60 KIAS
6. Climb Airspeed - 70 KIAS (FLAPS 20")  
80 KIAS (FLAPS UP)
7. Wing Flaps - RETRACT at safe altitude

### **SHORT FIELD TAKEOFF**

1. Wing Flaps - 20"
2. Brakes - APPLY
3. Throttle Control - FULL (push full in)
4. Propeller Control - 2400 RPM
5. Mixture Control - RICH  
(Above 5000 feet pressure altitude, lean for maximum RPM)
6. Brakes - RELEASE
7. Elevator Control - SLIGHTLY TAIL LOW
8. Climb Airspeed - 58 KIAS (Until all obstacles are cleared)
9. Wing Flaps - RETRACT SLOWLY (When airspeed is more than 70 KIAS)

## **ENROUTE CLIMB**

### **NORMAL CLIMB**

1. Airspeed - 85 - 95 KIAS
2. Throttle Control - 23 in.hg. or FULL (if less than 23 in.hg.)
3. Propeller Control - 2400 RPM
4. Mixture Control - 15 GPH or FULL RICH (if less than 15 GPH)
5. FUEL SELECTOR Valve - BOTH
6. Cowl Flaps - OPEN (as required)

### **MAXIMUM PERFORMANCE CLIMB**

1. Airspeed - 80 KIAS at sea level to 74 KIAS at 10,000 feet.
2. Throttle Control - FULL (push full in)
3. Propeller Control - 2400 RPM
4. Mixture Control - FULL RICH or SET to Maximum Power  
Fuel Flow placard value for altitude.
5. FUEL SELECTOR Valve - BOTH
6. Cowl Flaps - OPEN

## **CRUISE**

1. Power - 15 - 23 in.hg. at 2000 - 2400 RPM (No more than 80% power recommended).
2. Elevator and Rudder Trim Controls - ADJUST
3. Mixture Control - LEAN for desired performance or economy
4. Cowl Flaps - CLOSE
5. FMS/GPS - REVIEW and BRIEF OBS/SUSP softkey operation for holding pattern procedure (IFR)

## DESCENT

1. Power - AS DESIRED
2. Mixture - ADJUST if necessary to make the engine run) smoothly.
3. Cowl Flaps - CLOSED
4. Altimeters:
  - a. PFD (BARO) - SET
  - b. Standby Altimeter - SET
  - c. KAP 140 Autopilot (BARO) - SET
5. G1000 ALT SEL - SET
6. KAP 140 Altitude Preselect - SET

### NOTE

There is no connection between the G1000 ALT SEL feature and the KAP 140 autopilot altitude preselect or altitude hold functions. G1000 and KAP 140 altitudes are set independently.

7. CDI Softkey - SELECT NAV source
8. FMS/GPS - REVIEW and BRIEF OBS/SUSP softkey operation for holding pattern procedure (IFR)

### CAUTION

THE G1000 HSI SHOWS A COURSE DEVIATION INDICATOR FOR THE SELECTED GPS, NAV 1 OR NAV 2 NAVIGATION SOURCE. THE G1000 HSI DOES NOT PROVIDE A WARNING "FLAG" WHEN A VALID NAVIGATION SIGNAL IS NOT BEING SUPPLIED TO THE INDICATOR. WHEN A VALID NAVIGATION SIGNAL IS NOT BEING SUPPLIED, THE COURSE DEVIATION BAR (D-BAR) PART OF THE INDICATOR IS NOT SHOWN ON THE HSI COMPASS CARD. THE MISSING D-BAR IS CONSIDERED TO BE THE WARNING FLAG.

(Continued Next Page)



## DESCENT (Continued)

### WARNING

WHEN THE KAP 140 AUTOPILOT IS ENGAGED IN NAV, APR OR REV OPERATING MODES, IF THE HSI NAVIGATION SOURCE IS CHANGED FROM GPS TO **NAV1**, AUTOMATICALLY OR MANUALLY (USING THE CDI SOFTKEY), OR MANUALLY FROM **NAV2** TO GPS, THE CHANGE WILL INTERRUPT THE NAVIGATION SIGNAL TO THE AUTOPILOT AND WILL CAUSE THE AUTOPILOT TO REVERT TO ROL MODE OPERATION. NO WARNING CHIME OR PFD ANNUNCIATION WILL BE PROVIDED. THE PREVIOUSLY SELECTED MODE SYMBOL SHOWN ON THE AUTOPILOT DISPLAY WILL BE FLASHING TO SHOW THE REVERSION TO ROL MODE OPERATION. IN ROL MODE, THE AUTOPILOT WILL ONLY KEEP THE WINGS LEVEL AND WILL NOT CORRECT THE AIRPLANE HEADING OR COURSE. SET THE HDG BUG TO THE CORRECT HEADING AND SELECT **THE** CORRECT NAVIGATION SOURCE ON THE HSI USING THE CDI **SOFTKEY** BEFORE ENGAGING THE AUTOPILOT IN ANY OTHER OPERATING MODE.

9. FUEL SELECTOR Valve - BOTH
10. Wing Flaps - AS DESIRED (UP - 10" below 140 KIAS,  
10" - 20" below 120 KIAS,  
20° - FULL below 100 KIAS)

### BEFORE LANDING

1. Pilot and Passenger Seat Backs - MOST UPRIGHT POSITION
2. Seats and Seat Belts - SECURED and LOCKED
3. FUEL SELECTOR Valve - BOTH
4. Mixture Control - RICH
5. Propeller Control - HIGH RPM (push full in)
6. LANDING and TAXI Light Switches - ON
7. Autopilot - OFF
8. CABIN PWR 12V Switch - OFF (if installed)

## LANDING

### NORMAL LANDING

1. Airspeed - 70 - 80 KIAS (Flaps UP)
2. Wing Flaps - AS DESIRED (UP - 10" below 140 KIAS,  
10" - 20" below 120 KIAS,  
20" - FULL below 100 KIAS)
3. Airspeed - 60 - 70 KIAS (Flaps FULL)
4. Elevator and Rudder Trim Controls - ADJUST
5. Touchdown - MAIN WHEELS FIRST
6. Landing Roll - LOWER NOSEWHEEL GENTLY
7. Braking - MINIMUM REQUIRED

### SHORT FIELD LANDING

1. Airspeed - 70 - 80 KIAS (Flaps UP)
2. Wing Flaps - FULL (below 100 KIAS)
3. Airspeed - 60 KIAS (until flare)
4. Elevator and Rudder Trim Controls - ADJUST
5. Power - REDUCE to idle as obstacle is cleared
6. Touchdown - MAIN WHEELS FIRST
7. Brakes - APPLY HEAVILY
8. Wing Flaps - UP

### BALKED LANDING

1. Throttle Control - FULL (push full in) and 2400 RPM
2. Wing Flaps - RETRACT to 20"
3. Climb Speed - 55 KIAS
4. Wing Flaps - RETRACT SLOWLY (After reaching a safe  
altitude and 70 KIAS)
5. Cowl Flaps - OPEN

## **AFTER LANDING**

1. Wing Flaps - UP
2. Cowl Flaps - OPEN

## **SECURING AIRPLANE**

1. Parking Brake - SET
2. Throttle Control - IDLE (pull full out)
3. Electrical Equipment - OFF
4. AVIONICS Switch (BUS 1 and BUS 2) - OFF
5. Mixture Control - IDLE CUTOFF (pull full out)
6. MAGNETOS Switch - OFF
7. MASTER Switch (ALT and BAT) - OFF
8. STBY BATT Switch - OFF
9. Control Lock - INSTALL
10. FUEL SELECTOR Valve - LEFT or RIGHT (to prevent crossfeeding between tanks)

## **AMPLIFIED NORMAL PROCEDURES**

### **PREFLIGHT INSPECTION**

The preflight inspection, described in Figure 4-1 and adjacent checklist, is required prior to each flight. If the airplane has been in extended storage, has had recent major maintenance, or has been operated from rough runways, a more extensive exterior inspection is recommended.

Before every flight, check the condition of main and nose landing gear tires. Keep tires inflated to the pressure specified in Section 8, Airplane Handling, Service And Maintenance. Examine tire sidewalls for patterns of shallow cracks called weather checks. These cracks are evidence of tire deterioration caused by age, improper storage, or prolonged exposure to weather. Check the tread of the tire for depth, wear, and cuts. Replace the tire if fibers are visible.

After major maintenance has been performed, the flight and trim tab controls should be double checked for free and correct movement and security. The security of all inspection plates on the airplane should be checked following periodic inspections. If the airplane has been waxed or polished, check the external static pressure source hole for stoppage.

If the airplane has been kept in a crowded hangar, it should be checked for dents and scratches on wings, fuselage, and tail surfaces, damage to navigation, strobe lights, and avionics antennas. Check for damage to the nosewheel steering system, the result of exceeding nosewheel turning limits while towing.

(Continued Next Page)

## **PREFLIGHT INSPECTION** (Continued)

Outside storage for long periods may result in dust and dirt accumulation on the induction air filter, obstructions in airspeed system lines, water contaminants in fuel tanks, and insect/bird/rodent nests in any opening. If any water is detected in the fuel system, the fuel tank sump quick drain valves, fuel return line quick drain valve, and fuel strainer quick drain valve should all be thoroughly drained again. The wings should then be gently rocked and the tail lowered to the ground to move any further contaminants to the sampling points. Repeated samples should then be taken at **all** quick drain points until **all** contamination has been removed. If, after repeated sampling, evidence of contamination still exists, the fuel tanks should be completely drained and the fuel system cleaned.

If the airplane has been stored outside in windy or gusty areas, or tied down adjacent to taxiing airplanes, special attention should be paid to control surface stops, hinges, and brackets to detect the presence of potential wind damage.

If the airplane has been operated from muddy fields or in snow or slush, check the main and nose gear wheel fairings for obstructions and cleanliness. Operation from a gravel or cinder field will require extra attention to propeller tips and abrasion on leading edges of the horizontal tail. Stone damage to the propeller can seriously reduce the fatigue life of the blades.

Airplanes that are operated from rough fields, especially at high altitudes, are subjected to abnormal landing gear abuse. Frequently check all components of the landing gear, shock strut, tires, and brakes. If the shock strut is insufficiently extended, undue landing and taxi loads will be subjected to the airplane structure.

To prevent loss of fuel in flight, make sure the fuel tank filler caps are tightly sealed after any fuel system check or servicing. Fuel system vents should also be inspected for obstructions, ice or water, especially after exposure to cold, wet weather.

## STARTING ENGINE

In cooler weather, the engine compartment temperature drops off rapidly following engine shutdown and the injector nozzle lines remain nearly full of fuel.

In warmer weather, engine compartment temperatures may increase rapidly following engine shutdown, and fuel in the lines will vaporize and escape into the intake manifold. Hot weather starting procedures depend considerably on how soon the next engine start is attempted. Within the first 20 to 30 minutes after shutdown, the fuel manifold is adequately primed and the empty injector nozzle lines will fill before the engine dies. However, after approximately 30 minutes, the vaporized fuel in the manifold will have nearly dissipated and some slight "priming" could be required to refill the nozzle lines and keep the engine running after the initial start. Starting a hot engine is facilitated by advancing the mixture control promptly to 113 open when the engine starts, and then smoothly to full rich as power develops.

If the engine does not continue to run, set the FUEL PUMP switch to the ON position temporarily and adjust the throttle and/or mixture as necessary to keep the engine running. In the event of over priming or flooding, set the FUEL PUMP switch to OFF, open the throttle from 112 to full open, and continue cranking with the mixture in the idle CUTOFF position (pull full out). When the engine fires, smoothly advance the mixture control to full rich and retard the throttle to desired idle speed.

If the engine is under primed (most likely in cold weather with a cold engine), it will not start at all, and additional priming will be necessary.

After starting, if the oil pressure gage does not begin to show pressure within 30 seconds in warmer temperatures and approximately one minute in very cold weather, stop the engine and find cause before continued operation. Lack of oil pressure can cause serious engine damage.

(Continued Next Page)

## **STARTING ENGINE** (Continued)

### NOTE

Additional details concerning cold weather starting and operation may be found under COLD WEATHER OPERATION paragraphs in this section.

### [RECOMMENDED STARTER DUTY CYCLE

Operate the starter motor for 10 seconds followed by a 20 second cool down period. This cycle can be repeated two additional times, followed by a ten minute cool down period before resuming cranking. After cool down, operate the starter motor again, three cycles of 10 seconds followed by 20 seconds of cool down. If the engine still does not start, try to find the cause.

## **LEANING FOR GROUND OPERATIONS**

For all ground operations, after starting the engine and when the engine is running smoothly:

1. Set the Throttle Control to 1200 RPM.
2. Lean the mixture for maximum RPM.
3. Set the Throttle Control to an RPM appropriate for ground operations (800 to 1000 RPM recommended).

### NOTE

If ground operation will be required after the BEFORE TAKEOFF checklist is completed, lean the mixture again (as described above) until ready for the TAKEOFF checklist.

(Continued Next Page)

## **TAXIING**

When taxiing, it is important that speed and use of brakes be held to a minimum and that all controls be utilized (refer to Figure 4-2, Taxiing Diagram) to maintain directional control and balance.

Taxiing over loose gravel or cinders should be done at low engine speed to avoid abrasion and stone damage to the propeller tips. ■

### **NOTE**

The LOW VOLTS annunciator may come on when the engine is operated at low RPM with a high load on the electrical system. If this is the case, the LOW VOLTS annunciator will go off when the engine is run at higher RPM to provide greater alternator system output. Verify that the M BATT AMPS indication shows positive (charging) current at the higher RPM.

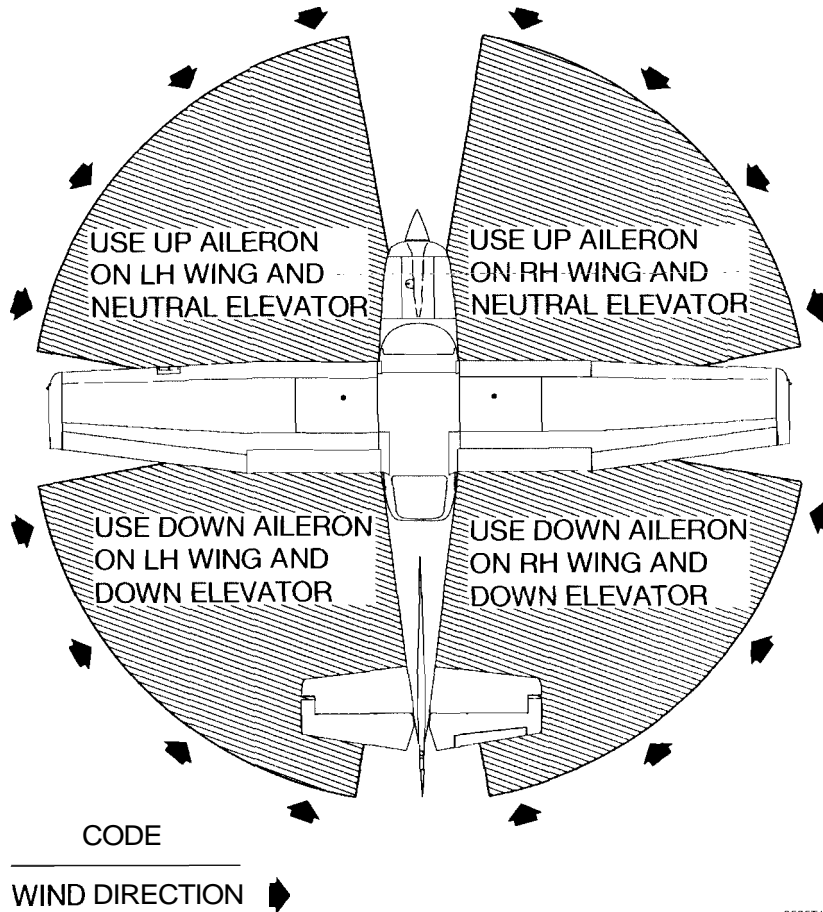
(Continued Next Page)



**TAXIING** (Continued)

**TAXIING DIAGRAM**

B3155



0585T 1020

**NOTE**

Strong quartering tail winds require caution. Avoid sudden bursts of the throttle and sharp braking when the airplane is in this attitude. Use the steerable nosewheel and rudder to maintain direction.

Figure 4-2

## **BEFORE TAKEOFF**

### **WARM UP**

If the engine idles (approximately 650 RPM) and accelerates smoothly, the airplane is ready for takeoff. Since the engine is closely cowled for efficient in-flight engine cooling, the cowl flaps should be open and the airplane pointed into the wind to avoid overheating during prolonged engine operation on the ground. Long periods of idling may cause fouled spark plugs.

### **MAGNETO CHECK**

The magneto check must be made at 1800 RPM. Turn the MAGNETOS switch from the BOTH position to the R position. Note the new RPM, then turn the MAGNETOS switch back to the BOTH position to clear the spark plugs. Turn the MAGNETOS switch to the L position, note the new RPM, then turn the switch back to the BOTH position. RPM decrease should not be more than 175 RPM on either magneto or be greater than 50 RPM differential between magnetos. If there is a doubt concerning operation of the ignition system, RPM checks at higher engine speeds will usually confirm whether a deficiency exists.

No RPM drop may indicate a faulty ground to one magneto or magneto timing set in advance of the angle specified.

### **ALTERNATOR CHECK**

Make sure that both the alternator and alternator control unit are operating properly before night or instrument flight, or flights where electrical power is essential. Check the electrical system during the MAGNETO check (1800 RPM) by setting all electrical equipment required for the flight to the ON position. When the alternator and alternator control unit are both operating properly, the ammeters will show zero or positive current (amps), the voltmeters should show between 27 to 29 volts, and no electrical system annunciations will appear. Reduce the electrical load before reducing engine speed so the battery will not discharge while the engine is at idle.

(Continued Next Page)

## **BEFORE TAKEOFF** (Continued)

### **ELEVATOR TRIM**

The elevator trim tab is in the takeoff position when the trim pointer is aligned with the index mark on the pedestal cover. Adjust the trim wheel during flight as necessary to make control wheel forces more neutral.

### **LANDING LIGHTS**

It is recommended that only the taxi light be used to enhance the visibility of the airplane in the traffic pattern or enroute. This will extend the service life of the landing light.

## **TAKEOFF**

### **POWER CHECK**

It is important to check full throttle engine operation early in the takeoff roll. Any sign of rough engine operation or sluggish engine acceleration is good cause for discontinuing the takeoff. If this occurs, you are justified in making a thorough full throttle static run-up before another takeoff is attempted. The engine should run smoothly and turn approximately 2350 - 2400 RPM.

Full throttle run-ups over loose gravel are especially harmful to propeller tips. When takeoffs must be made over a gravel surface, advance the throttle slowly. This allows the airplane to start rolling before high RPM is developed, and the gravel will be blown behind the propeller rather than pulled into it.

Prior to takeoff from fields above 5000 feet pressure elevation, the mixture should be leaned to give maximum RPM at full throttle, with the airplane not moving. This mixture setting should provide a fuel flow that closely matches that shown on the Maximum Power Fuel Flow placard.

After full throttle is applied, adjust the throttle friction lock clockwise to prevent the throttle from moving back from a maximum power position. Similar friction lock adjustments should be made as required in other flight conditions to hold the throttle setting.

(Continued Next Page)

## TAKEOFF (Continued)

### WING FLAP SETTINGS

Normal takeoffs use wing flaps LIP - 20" (10° preferred). Using 20° wing flaps reduces the ground roll and total distance over an obstacle by approximately 20 percent. **Flap deflections greater than 20° are not approved for takeoff.** If 20" wing flaps are used for takeoff, the flaps should stay at 20" until all obstacles are cleared and a safe flap retraction speed of 70 KIAS is reached. For a short field, 20" wing flaps and an obstacle clearance speed of 60 KIAS should be used.

Soft or rough field takeoffs are performed with 20" flaps by lifting the airplane off the ground as soon as practical in a slightly tail low attitude. If no obstacles are ahead, the airplane should be leveled off immediately to accelerate to a higher climb speed. When departing a soft field with an aft C.G. loading, the elevator trim control should be adjusted towards the nose down direction to give comfortable control wheel forces during the initial climb.

### CROSSWIND TAKEOFF

Takeoffs under strong crosswind conditions normally are performed with the minimum flap setting necessary for the field length, to minimize the drift angle immediately after takeoff. With the ailerons partially deflected into the wind, the airplane is accelerated to a speed slightly higher than normal, then the elevator control is used to quickly, but carefully, lift the airplane off the ground and to prevent possible settling back to the runway while drifting. When clear of the ground, make a coordinated turn into the wind to correct for drift.

## ENROUTE CLIMB

Normal enroute climbs are performed with flaps up, at 85 - 95 KIAS, 23 in.hg. or full throttle (whichever is less) and 2400 RPM for the best combination of performance, visibility and engine cooling. The mixture should be full rich during climb at altitudes up to 5000 feet pressure altitude. Above 5000 feet pressure altitude, full rich mixture is recommended but the mixture can be leaned as needed for increased power or to provide smoother engine operation.

If it is necessary to climb more rapidly to clear mountains or reach favorable winds at higher altitudes, the best rate of climb speed should be used with maximum power. This speed is 80 KIAS at (sea level, decreasing to 74 KIAS at 10,000 feet. For maximum power climb (full throttle), the mixture should be set in accordance with the Maximum Power Fuel Flow placard.

If an obstruction dictates the use of a steep climb angle, the best angle-of-climb speed should be used with flaps up and maximum power. This speed is 65 KIAS at sea level, increasing to 68 KIAS at 10,000 feet. This type of climb should be of the minimum duration and engine temperatures should be carefully monitored due to the low climb speed.

For maximum power, the mixture should be set in accordance with the Maximum Power Fuel flow placard.

## CRUISE

Normal cruise is performed between 55% and 80% rated power. Initial power setting should be kept within the green arc ranges on the manifold pressure gage and tachometer. The engine RPM and corresponding fuel consumption for various altitudes can be determined by using the data in Section 5.

### NOTE

Cruise flight should use 75% power as much as possible until the engine has operated for a total of 50 hours or oil consumption has stabilized. Operation at this higher power will ensure proper seating of the rings and is applicable to new engines, and engines in service following cylinder replacement or top overhaul of one or more cylinders.

The Cruise Performance charts in Section 5 provide the pilot with flight planning information for the Model 182T in still air with speed fairings installed. Power, altitude, and winds determine the time and fuel needed to complete any flight.

The Cruise Performance Table, Figure 4-3, shows the true airspeed and nautical miles per gallon during cruise for various altitudes and percent powers, and is based on standard conditions and zero wind. This table should be used as a guide, along with the available winds aloft information, to determine the most favorable altitude and power setting for a given trip. The selection of cruise altitude on the basis of the most favorable wind conditions and the use of low power settings are significant factors that should be considered on every trip to reduce fuel consumption.

In addition to power settings, proper leaning techniques also contribute to greater range and are figured into cruise performance tables. To achieve the recommended lean mixture fuel consumption figures shown in Section 5, the mixture should be leaned using the exhaust gas temperature (EGT) indicator as noted.

(Continued Next Page)

**CRUISE** (Continued)

For reduced noise levels, it is desirable to select the lowest RPM in the green arc range for a given percent power that will provide smooth engine operation. The cowl flaps should be opened, if necessary, to maintain the cylinder head temperature at approximately two-thirds of the normal operating range (green arc).

**CRUISE PERFORMANCE TABLE**

CONDITIONS:  
 Standard Conditions  
 Zero Wind

ALTITUDE	80% POWER		75% POWER		65% POWER		55% POWER	
	KTAS	NMPG	KTAS	NMPG	KTAS	NMPG	KTAS	NMPG
4000 feet	141	10.2	138	10.6	129	11.3	118	11.8
6000 feet	144	10.4	140	10.8	131	11.4	120	12.0
8000 feet	---	---	142	11.0	133	11.6	122	12.1
10,000 feet	---	---	---	---	135	11.8	124	12.3

Figure 4-3

(Continued Next Page)

## **CRUISE** (Continued)

### **LEANING USING EXHAUST GAS TEMPERATURE (EGT)**

The cruise performance data in this handbook is based on the recommended lean mixture setting determined from the maximum or Peak Exhaust Gas Temperature (EGT) at power settings of 80% Maximum Continuous Power (MCP) and less. The 182T Nav III provides EGT indications for all (6) engine cylinders. The ability to monitor all cylinders is an aid in early identification and correction of fuel injection system problems.

#### **NOTE**

All engine cylinders do not receive identical fuel/air mixtures (due to unequal intake pipe lengths, uneven intake air temperatures, fuel injection nozzle tolerances etc.). However, all cylinder EGTs should be within approximately 50°F of each other during normal operations. An EGT difference greater than 50°F between cylinders indicates that fuel injection system maintenance is necessary.

EGT is displayed on the EIS ENGINE and LEAN pages. The ENGINE page has a horizontal scale with a temperature indicator (inverted triangle) with a number representing the cylinder with the highest EGT.

The EIS LEAN page provides vertical bar graph displays showing EGT for all cylinders. The cylinder with the highest EGT is shown in cyan (light blue). The numerical value for the highest EGT is located below the bar. The EGT and Cylinder Head Temperature (CHT) value for any cylinder may be shown by using the CYL SLCT softkey to select the desired cylinder. After a short period without CYL SLCT softkey activity, automatic indication of the highest EGT and CHT will start again.

(Continued Next Page)



## CRUISE (Continued)

### **(LEANING USING EXHAUST GAS TEMPERATURE (EGT))** (Continued)

To aid in leaning the mixture, push the ENGINE, LEAN and ASSIST softkeys, APEAK °F will display below the EGT °F numerical value. Lean the mixture by slowly turning the Mixture Control knob in the counterclockwise direction while monitoring EGTs. As EGTs increase, continue to lean the mixture until the hottest (cyan) cylinder reaches Peak EGT. This is identified by the EGT bar graph for that cylinder changing to cyan with a hollow bar at the top. Note the APEAK °F and FFLOW GPH values for the first peaked cylinder. Peak EGT is represented by APEAK °F, if APEAK °F value is negative (-) the mixture can be on the lean side of peak. Enrichen the mixture by slowly turning the mixture control clockwise and monitor both fuel flow and EGTs until the leanest cylinder returns to peak EGT (APEAK 0°F) or desired setting based on the EGT Table, Figure 4-4.

APEAK °F values rich of peak will also be a negative (-) value (-50" or -125"). The lean assist system calculation is defined such that the peak EGT is the highest value and any lesser value is represented with a negative (-) value, whether on the lean or rich side of the peak.

#### **NOTE**

- The 182T engine manufacturer, Textron Lycoming, has not approved operation of the engine at fuel flow rates (mixture settings) less than necessary to reach Peak EGT in the leanest cylinder (the first cylinder to reach peak EGT). Use FULL RICH mixture when operating the engine above 80% power.

(Continued Next Page)

**CRUISE** (Continued)

**LEANING USING EXHAUST GAS TEMPERATURE (EGT)**  
(Continued)

**EGT TABLE**

MIXTURE DESCRIPTION	EXHAUST GAS TEMPERATURE
RECOMMENDED LEAN (Pilot's Operating Handbook)	50°F Rich of Peak EGT
BEST ECONOMY	Peak EGT
BEST POWER	125°F RICH

Figure 4-4

Operation at peak EGT provides the best fuel economy. This results in approximately 4% greater range than shown in this handbook accompanied by approximately a 3 knot decrease in speed.

Under some conditions, engine roughness may occur while operating at peak EGT. In this case, operate at the Recommended Lean mixture.

**NOTE**

- Any change in altitude or power setting will require a change in the recommended lean mixture setting and a recheck of the EGT setting.
- The EGT indicators take several seconds, after a mixture adjustment, to start to show exhaust gas temperature changes. Finding peak EGT and adjusting the mixture to the applicable setting should take approximately one minute when the adjustments are made carefully and accurately. Adjusting the mixture quickly is not recommended.

(Continued Next Page)

## **CRUISE** (Continued)

### **FUEL SAVINGS PROCEDURES FOR NORMAL OPERATIONS**

For best fuel economy during normal operations, the following procedures are recommended.

1. After engine start and for all ground operations, set the throttle to 1200 RPM and lean the mixture for maximum RPM. After leaning, set the throttle to the appropriate RPM for ground operations. Leave the mixture at this setting until beginning the BEFORE TAKEOFF checklist. After the BEFORE TAKEOFF checklist is complete re-lean the mixture as described above until ready for TAKEOFF checklist.
2. Lean the mixture for placarded fuel flows during maximum continuous power climbs.
3. Lean the mixture at any altitude for RECOMMENDED LEAN or BEST ECONOMY fuel flows when using 80% or less power.

#### **NOTE**

Using the above recommended procedures can provide fuel savings in excess of 5% when compared to typical training operations at full rich mixture. In addition, the above procedures will minimize spark plug fouling since the reduction in fuel consumption results in a proportional reduction in tetraethyl lead passing through the engine.

(Continued Next Page)

## **CRUISE** (Continued)

### **FUEL VAPOR PROCEDURES**

The engine fuel system can cause fuel vapor formation on the ground during warm weather. This will generally occur when the outside ambient air temperature is above 80°F. Vapor formation may increase when the engine fuel flows are lower at idle and tax engine speeds. The following procedures are recommended when engine idle speed and fuel flow fluctuations show that fuel vapor may be present:

1. With the mixture full rich, set the throttle at 1800 RPM to 2000 RPM. Maintain this power setting for 1 to 2 minutes or until smooth engine operation returns.
2. Retard the throttle to idle to verify normal engine operation
3. Advance the throttle to 1200 RPM and lean the mixture as described under FUEL SAVINGS PROCEDURES FOR NORMAL OPERATIONS.
4. In addition to the above procedures, the Auxiliary Fuel Pump may be turned ON with the mixture adjusted as required to aid vapor suppression during ground operations. The Auxiliary Fuel Pump should be turned OFF prior to takeoff.
5. Just prior to TAKEOFF, apply full throttle for approximately 10 seconds to verify smooth engine operation for takeoff.

#### **NOTE**

When the engine is operated above 1800 RPM, the resulting increased fuel flow results in lower fuel temperatures throughout the engine fuel system. This increased flow purges the fuel vapor and the cooler fuel minimizes vapor formation.

(Continued Next Page)

## **CRUISE** (Continued)

### **FUEL VAPOR PROCEDURES** (Continued)

In addition to the above procedures, the sections below should be reviewed, and where applicable, adhered to:

- Section 2 - Take note of the placard on "When Switching From Dry Tank".
- Section 3 - Take note of the excessive fuel vapor procedures in both the checklist and the amplified procedures sections.
- Section 4 - Take note of the hot weather operational notes and procedures in both the checklist and the amplified procedures sections.
- Section 7 - Take note of the altitude operational procedures and the section on auxiliary fuel pump operation.

## **STALLS**

The stall characteristics are conventional and aural warning is provided by a stall warning horn which sounds between 5 and 10 knots above the stall in all configurations.

Power off stall speeds at maximum weight for both forward and aft C.G. positions are presented in Section 5.

## **HOLDING, PROCEDURE TURNS AND MISSED APPROACHES**

### **NOTE**

Due to the sophistication of the G1000 Flight Management System (FMS), IFR enroute and instrument approach procedures using the G1000 FMSIGPS and KAP 140 Autopilot should be mastered in VFR conditions (with a safety pilot) before attempting IFR operations. Refer to the G1000 Cockpit Reference Guide for additional information.

Special consideration must be given to SUSP softkey operation and KAP 140 mode selection during holding pattern, course reversal maneuver (procedure turn) or missed approach procedures when using the G1000 FMSIGPS. The G1000 FMSIGPS provides initial entry cues for the procedure turn and the holding pattern but does not provide course guidance for either maneuver.

Holding pattern operations, whether in the enroute or the terminal environment, require temporary suspension of flight plan execution on reaching the holding waypoint. If the holding pattern is part of an Instrument Approach Procedure (IAP) without an associated Procedure Turn, suspend (SUSP) mode will be invoked automatically by the G1000 FMSIGPS on reaching the holding waypoint (usually an IAF). Holding at an enroute waypoint will require the pilot to manually suspend flight plan execution using the OBS softkey and set the course pointer to the inbound course.

### **CAUTION**

IF THE KAP 140 AUTOPILOT IS ENGAGED IN EITHER NAV OR APR MODE WHEN THE G1000 FMSIGPS GOES TO SUSP MODE OR IF THE PILOT MANUALLY SELECTS OBS MODE, THE KAP 140 AUTOPILOT WILL BE OPERATING WITHOUT A VALID NAVIGATION SOURCE. SELECT HDG MODE FOR KAP 140 AUTOPILOT OPERATION AND CONTROL AIRCRAFT HEADING USING THE HDG CONTROL ON THE PFD (TO SET THE HSI HEADING BUG).

(Continued Next Page)

## **HOLDING, PROCEDURE TURNS AND MISSED APPROACHES** (Continued)

### **NOTE**

If the holding waypoint is shown with a holding pattern on the MFD NAVIGATION MAP display, selecting the OBS softkey (to suspend flight plan execution) will cause the G1000 to erase the depicted holding pattern from the display.

The G1000 FMSIGPS provides course guidance on the inbound leg (toward the holding waypoint) of the holding pattern only. Turns at either end of the holding pattern and the outbound leg must be executed by the pilot manually or by setting the KAP 140 Autopilot to HDG mode and then setting the HDG bug on the PFD to command the Autopilot to turn to each new heading. The KAP 140 Autopilot may be set to APR mode to track the inbound course but must be returned to HDG mode for command through the remainder of the holding pattern.

### **NOTE**

On interception of the inbound course for RNAV(GPS) Approach holding patterns, SUSP will be automatically deselected by the G1000 FMSIGPS. If continued holding is desired, SUSP must be manually selected before reaching the holding waypoint.

**When** the pilot wants to discontinue holding, either to proceed enroute or for the IAP, flight plan execution is resumed by selecting the OBS or SUSP key as appropriate.

(Continued Next Page)

## **HOLDING, PROCEDURE TURNS AND MISSED APPROACHES** (Continued)

The G1000 FMSIGPS treats the procedure turn maneuver as a flight plan leg and does not suspend (SUSP) flight plan execution at the IAF waypoint. The G1000 FMSIGPS provides an outbound heading for the procedure turn and prompts "BEGIN PROCEDURE TURN" at approximately one minute beyond the IAF. The pilot must turn away from the final approach course to start procedure turn either manually or must select the KAP 140 Autopilot HDG mode and set the HDG bug on the PFD to command the Autopilot to turn to the new heading. Following course reversal (inbound to join the final approach course), the G1000 FMSIGPS sequences to capture the final approach course. The pilot must intercept and join the final approach course manually or select the KAP 140 Autopilot APR mode to enable automatic capture the final approach course.

GPS or RNAV(GPS) approaches are managed by the G1000 FMSIGPS to provide course guidance and waypoint sequencing through the approach procedure. For ILS approaches, the G1000 FMSIGPS provides course guidance for the KAP 140 to capture the final approach course. The G1000 will tune the NAV 1 radio to the applicable facility frequency (with identifier) and set the course pointer to the final approach course. Within approximately 0.5 nm of the final approach course, the G1000 FMS/GPS will automatically change the HSI navigation source from GPS to NAV1. The change from GPS to NAV1 will make the KAP 140 change from NAV, APR or APR ARM mode to ROL mode operation and allow the airplane to fly through the final approach course, if not corrected. The pilot must manually set APR mode again to make the KAP 140 lock on the final approach course and the glideslope using the VHF NAV1 signal. If using radar vectors to navigate with the KAP 140 engaged in HDG mode to the ILS final approach course, wait until the G1000 changes the HSI navigation source to NAV1 before the KAP 140 is set to APR mode to avoid KAP 140 ROL mode reversion.

(Continued Next Page)



## HOLDING, PROCEDURE TURNS AND MISSED APPROACHES (Continued)

### WARNING

WHEN THE KAP 140 AUTOPILOT IS ENGAGED IN NAV, APR OR REV OPERATING MODES, IF THE HSI NAVIGATION SOURCE IS CHANGED FROM GPS TO **NAV1** AUTOMATICALLY OR MANUALLY (USING THE **CDI SOFTKEY**) OR MANUALLY FROM **NAV2** TO GPS, THE CHANGE WILL INTERRUPT THE NAVIGATION SIGNAL TO THE AUTOPILOT AND WILL CAUSE THE AUTOPILOT TO REVERT TO ROL MODE OPERATION. NO WARNING CHIME OR PFD ANNUNCIATION IS PROVIDED. THE PREVIOUSLY SELECTED MODE SYMBOL SHOWN ON THE AUTOPILOT DISPLAY WILL BE FLASHING TO SHOW THE REVERSION TO ROL MODE OPERATION. IN ROL MODE, THE AUTOPILOT WILL ONLY KEEP THE WINGS LEVEL AND WILL NOT CORRECT THE AIRPLANE HEADING OR COURSE. SET THE HDG BUG TO THE CORRECT HEADING AND SELECT THE CORRECT NAVIGATION SOURCE ON THE HSI USING THE **CDI SOFTKEY** BEFORE ENGAGING THE AUTOPILOT IN ANY OTHER OPERATING MODE.

Other VHF NAV-based Instrument Approach Procedures (VOR, LOC, LOC BC) require the pilot to manually tune and identify the NAV facility, select the corresponding NAV source on the HSI and set the HSI course pointer to the final approach course. See the G1000 Cockpit Reference Guide for additional information.

On reaching the Missed Approach Point (MAP), the GIOOO FMS/GPS will automatically go into suspend (SUSP) mode but will continue to provide course guidance along the extended runway centerline. After the pilot stabilizes the airplane in climb, SUSP mode may be deselected using the SUSP softkey and the GIOOO FMS/GPS will provide course guidance to the Missed Approach Holding Point (MAHP). On reaching the MAHP, the pilot may elect to hold (as noted above) or may select another IAP. See the G1000 Cockpit Reference Guide for additional information.

## **LANDING**

### **NORMAL LANDING**

Normal landing approaches can be made with power on or power off with any flap setting within the flap airspeed limits. Surface winds and air turbulence are usually the primary factors in determining the most comfortable approach speeds. Steep slips with flap settings greater than 20° can cause a slight tendency for the elevator to oscillate under certain combinations of airspeed, sideslip angle, and center of gravity loadings.

Landing at slower speeds will result in shorter landing distances and minimum wear to tires and brakes. Power must be at idle as the main wheels touch the ground. The main wheels must touch the ground before the nosewheel. The nosewheel must be lowered to the runway carefully after the speed has diminished to avoid unnecessary nose gear loads. This procedure is very important for rough or soft field landings.

### **SHORT FIELD LANDING**

For a short field landing in smooth air conditions, approach at 60 KIAS with FULL flaps using enough power to control the glide path. (Slightly higher approach speeds should be used in turbulent air conditions.) After all approach obstacles are cleared, smoothly reduce power and hold the approach speed by lowering the nose of the airplane. The main wheels must touch the ground before the nose wheel with power at idle. Immediately after the main wheels touch the ground, carefully lower the nose wheel and apply heavy braking as required. For maximum brake performance, retract the flaps, hold the control wheel full back, and apply maximum brake pressure without skidding the tires.

(Continued Next Page)

## **LANDING** (Continued)

### **CROSSWIND LANDING**

When landing in a strong crosswind, use the minimum flap setting required for the field length. If flap settings greater than 20° are used in sideslips with full rudder deflection, some elevator oscillation may be felt at normal approach speeds. However, this does not affect control of the airplane. Although the crab or combination method of drift correction may be used, the wing low method gives the best control. After touchdown, hold a straight course with the steerable nosewheel, with aileron deflection as applicable, and occasional braking if necessary.

The maximum allowable crosswind velocity is dependent upon pilot capability as well as airplane limitations. Operation in direct crosswinds of 15 knots has been demonstrated.

### **BALKED LANDING**

In a bailed landing (go-around) climb, reduce the flap setting to 20° immediately after full power is applied and climb at 55 KIAS. Above 5000 feet pressure altitude, lean the mixture to obtain maximum RPM. After clearing any obstacles, carefully retract the flaps and allow the airplane to accelerate to normal climb airspeed.

## COLD WEATHER OPERATIONS

Special consideration should be given to the operation of the airplane fuel system during the winter season or prior to any flight in cold temperatures. Proper preflight draining of the fuel system is especially important and will eliminate any free water accumulation. The use of additives such as isopropyl alcohol or diethylene glycol monomethyl ether (DIEGME) may also be desirable. Refer to Section 8 for information on the proper use of additives.

Cold weather often causes conditions that require special care during airplane operations. **Even small accumulations of frost, ice, or snow must be removed, particularly from wing, tail and all control surfaces to assure satisfactory flight performance and handling.** Also, control surfaces must be free of any internal accumulations of ice or snow.

If snow or slush covers the takeoff surface, allowance must be made for takeoff distances which will be increasingly extended as the snow or slush depth increases. The depth and consistency of this cover can, in fact, prevent takeoff in many instances.

### STARTING

When air temperatures are below 20°F (-6°C), use an external preheater and an external power source whenever possible to obtain positive starting and to reduce wear and abuse to the engine and electrical system. Preheat will thaw the oil trapped in the oil cooler, which probably will be congealed prior to starting in extremely cold temperatures.

### WARNING

**WHEN TURNING THE PROPELLER BY HAND, TREAT IT AS IF THE MAGNETOS SWITCH IS IN THE ON POSITION. A LOOSE OR BROKEN GROUND WIRE ON EITHER MAGNETO COULD ENERGIZE THE ENGINE.**

(Continued Next Page)

## **COLD WEATHER OPERATIONS** (Continued)

### **STARTING** (Continued)

Prior to starting on cold mornings, it is advisable to turn the propeller manually through several engine compression cycles by hand to loosen the oil, so the engine cranks (motors) more easily and uses less battery power. When the propeller is turned manually, turn it in the opposite direction to normal engine rotation for greater safety. Opposite rotation disengages the magneto impulse couplings and prevents possible unwanted ignition.

When using an external power source, the MASTER switch ALT and BAT sections must be in the OFF position before connecting the external power source to the airplane receptacle. Refer to Section 7, Ground Service Plug Receptacle, for external power source operations.

Cold weather starting procedures are the same as the normal starting procedures. However, to conserve battery power the beacon light can be left off until the engine is started. Use caution to prevent inadvertent forward movement of the airplane during starting when parked on snow or ice.

### **NOTE**

If the engine does not start during the first few attempts, or if engine firing diminishes in strength, the spark plugs may be frosted over. Preheat must be used before another start is attempted.

During cold weather operations, the oil temperature indicator may not be in the green arc prior to takeoff if outside air temperatures are very cold. After a suitable warm up period (2 to 5 minutes at 1000 RPM), accelerate the engine several times to higher engine RPMs. If the engine accelerates smoothly and the oil pressure remains normal and steady, the airplane is ready for takeoff.

### **WINTERIZATION KIT**

An optional winterization kit is available and may be utilized when cold weather operations are conducted. Refer to Section 9, Supplement 6 for installation and operational details.

## HOT WEATHER OPERATIONS

Refer to the general warm temperature starting information under Starting Engine in this section. Avoid prolonged engine operation on the ground.

## NOISE CHARACTERISTICS

The certified takeoff noise level for the Model 182T at 3100 pounds maximum weight is 77.7 dB(A) per 14CFR36 Appendix G (through Amendment 36-21) and 81.1 dB(A) per ICAO Annex 16 Chapter 10 (through Amendment 4). No determination has been made that the noise levels of this airplane are, or should be, acceptable or unacceptable for operation at, into, or out of, any airport.

The following procedures are suggested to minimize the effect of airplane noise on the public:

1. Pilots operating airplanes under VFR over outdoor assemblies of persons, recreational and park areas, and other noise sensitive areas should make every effort to fly not less than 2000 feet above the surface, weather permitting, even though flight at a lower level may be consistent with the provisions of government regulations.
2. During departure from or approach to an airport, climb after takeoff and descent for landing should be made so as to avoid prolonged flight at low altitude near noise sensitive areas.

### NOTE

The above recommended procedures do not apply where they would conflict with Air Traffic Control clearances or instructions, or where, in the pilot's judgment, an altitude of less than 2000 feet is necessary to adequately exercise the duty to see and avoid other airplanes.



# PERFORMANCE TABLE OF CONTENTS

	Page
Introduction .....	5-3
Use of Performance Charts .....	5-3
Sample Problem .....	5-3
Takeoff .....	5-4
Cruise .....	5-5
Fuel Required .....	5-6
Landing .....	5-8
Demonstrated Operating Temperature .....	5-8
- Airspeed Calibration - Normal Static Source .....	5-9
Airspeed Calibration - Alternate Static Source .....	5-10
Altimeter Correction .....	5-11
Temperature Conversion Chart .....	5-12
Stall Speeds .....	5-13
Crosswind Component .....	5-14
Short Field Takeoff Distance - 3100 Pounds .....	5-15
Short Field Takeoff Distance - 2700 Pounds .....	5-16
Short Field Takeoff Distance - 2300 Pounds .....	5-17
Maximum Rate-Of-Climb .....	5-18
Time, Fuel, And Distance To Climb .....	5-19
Cruise Performance .....	5-21
Range Profile .....	5-32
Endurance Profile .....	5-34
Short Field Landing Distance .....	5-36





## INTRODUCTION

Performance data charts on the following pages are presented so that you may know what to expect from the airplane under various conditions, and also, to facilitate the planning of flights in detail and with reasonable accuracy. The data in the charts has been computed from actual flight tests with the airplane and engine in good condition and using average piloting techniques.

It should be noted that performance information presented in the range and endurance profile charts allows for 45 minutes reserve fuel at the specified cruise power. Fuel flow data for cruise is based on the recommended lean mixture setting at all altitudes. Some indeterminate variables such as mixture leaning technique, fuel metering characteristics, engine and propeller condition, and air turbulence may account for variations of 10% or more in range and endurance. Therefore, it is important to utilize all available information to estimate the fuel required for the particular flight and to flight plan in a conservative manner.

## USE OF PERFORMANCE CHARTS

Performance data is presented in tabular or graphical form to illustrate the effect of different variables. Sufficiently detailed information is provided in the tables so that conservative values can be selected and used to determine the particular performance figure with reasonable accuracy.

## SAMPLE PROBLEM

The following sample flight problem utilizes information from the various charts to determine the predicted performance data for a typical flight. Assume the following information has already been determined:

### AIRPLANE CONFIGURATION:

Takeoff weight	3100 Pounds
Usable fuel --	87.0 Gallons

### TAKEOFF CONDITIONS

Field pressure altitude	1500 Feet
Temperature	28°C (16°C Above Standard)

(Continued Next Page)

**SAMPLE PROBLEM** (Continued)

Wind component along runway	12 Knot Headwind
Field length	3500 Feet

## CRUISE CONDITIONS:

Total distance	450 Nautical Miles
Pressure altitude	7500 Feet
Temperature	16"
Expected wind enroute	10 Knot Headwind

## LANDING CONDITIONS:

Field pressure altitude	2000 Feet
Temperature	25°C
Field length	3000 Feet

**TAKEOFF**

The takeoff distance chart, Figure 5-5, should be consulted, keeping in mind that distances shown are based on the short field technique. Conservative distances can be established by reading the chart at the next higher value of weight, altitude and temperature. For example, in this particular sample problem, the takeoff distance information presented for a weight of 3100 pounds, pressure altitude of 2000 feet and a temperature of 30°C should be used and results in the following:

Ground roll	1055 Feet
Total distance to clear a 50-foot obstacle	2035 Feet

These distances are well within the available takeoff field length. However, a correction for the effect of wind may be made based on Note 3 of the takeoff chart. The correction for a 12 knot headwind is:

$$\frac{12 \text{ Knots}}{9 \text{ Knots}} \times 10\% = 13\% \text{ Decrease}$$

This results in the following distances, corrected for wind:

Ground roll, zero wind	1055
Decrease in ground roll (1055 feet X 13%)	<u>-137</u>
Corrected ground roll	918 Feet

(Continued Next Page)

**SAMPLE PROBLEM** (Continued)

Total distance to clear a 50-foot obstacle, zero wind	2035
Decrease in total distance (2035 feet X 13%)	<del>-265</del>
Corrected total distance to clear 50-foot obstacle	1770 Feet

**CRUISE**

The cruising altitude should be selected based on a consideration of trip length, winds aloft, and the airplane's performance. A typical cruising altitude and the expected wind enroute have been given for this sample problem. However, the power setting selection for cruise must be determined based on several considerations. These include the cruise performance characteristics presented in Figure 5-9, the range profile chart presented in Figure 5-10, and the endurance profile chart presented in Figure 5-11.

The relationship between power and range is illustrated by the range profile chart. Considerable fuel savings and longer range result when lower power settings are used. For this sample problem, a cruise power of approximately 60% will be used.

The cruise performance chart, Figure 5-9, is entered at 8000 feet pressure altitude and 20°C above standard temperature. These values most nearly correspond to the planned altitude and expected temperature conditions. The engine speed chosen is 2400 RPM and 19 inches of manifold pressure, which results in the following:

Power	60%
True airspeed	130 Knots
Cruise fuel flow	10.7 GPH

(Continued Next Page)

**SAMPLE PROBLEM** (Continued)**FUEL REQUIRED**

The total fuel requirement for the flight may be estimated using the performance information in Figure 5-8 and Figure 5-9. For this sample problem, Figure 5-8 shows that a normal climb from 2000 feet to 8000 feet requires 2.7 gallons of fuel. The corresponding distance during the climb is 18 nautical miles. These values are for a standard temperature and are sufficiently accurate for most flight planning purposes. However, a further correction for the effect of temperature may be made as noted on the climb chart. The approximate effect of a non-standard temperature is to increase the time, fuel, and distance by 10% for each 10°C above standard temperature, due to the lower rate of climb. In this case, assuming a temperature 16°C above standard the correction would be:

$$\frac{16^{\circ}}{10^{\circ}\text{C}} \times 10\% = 16\% \text{ Increase}$$

With this factor included, the fuel estimate would be calculated as follows:

Fuel to climb, standard temperature	2.7
Increase due to non-standard temperature (2.7 X 16%)	<u>0.5</u>
Corrected fuel to climb	3.2 Gallons

Using a similar procedure for the distance to climb results in 21 nautical miles.

The resultant cruise distance is:

Total distance	450
Climb distance	<u>-21</u>
Cruise distance	429
	Nautical Miles

(Continued Next Page)

**SAMPLE PROBLEM** (Continued)

With an expected 10 knot headwind, the ground speed for cruise is predicted to be:

$$\begin{array}{r} 130 \\ -10 \\ \hline 120 \text{ Knots} \end{array}$$

Therefore, the time required for the cruise portion of the trip is:

$$\frac{429 \text{ Nautical Miles}}{120 \text{ Knots}} = 3.6 \text{ Hours}$$

The fuel required for cruise is:

$$3.6 \text{ hours} \times 10.7 \text{ gallons/hour} = 38.5 \text{ Gallons}$$

A 45-minute reserve requires:

$$\frac{45}{60} \times 10.7 \text{ gallons / hour} = 8.0 \text{ Gallons}$$

The total estimated fuel required is as follows:

Engine start, taxi, and takeoff	1.7
Climb	3.2
Cruise	38.5
Reserve	<u>8.0</u>
Total fuel required	51.4 Gallons

Once the flight is underway, ground speed checks will provide a more accurate basis for estimating the time enroute and the corresponding fuel required to complete the trip with ample reserve.

(Continued Next Page)

## **SAMPLE PROBLEM** (Continued)

### **LANDING**

A procedure similar to takeoff should be used for estimating the landing distance at the destination airport. Figure 5-12 presents landing distance information for the short field technique. The distances corresponding to 2000 feet and 30°C are as follows:

Ground roll	540 Feet
Total distance to clear a 50-foot obstacle	1280 Feet

A correction for the effect of wind may be made based on Note 2 of the landing chart, using the same procedure as outlined for takeoff.

### **DEMONSTRATED OPERATING TEMPERATURE**

Satisfactory engine cooling has been demonstrated for this airplane with an outside air temperature 23°C above standard. This is not to be considered as an operating limitation. Reference should be made to Section 2 for engine operating limitations.

## AIRSPEED CALIBRATION

### NORMAL STATIC SOURCE

CONDITIONS:

Power required for level flight or maximum power descent.

<b>FLAPS UP</b>	KIAS	55	60	70	80	90	100	110	120	130	140	150	160
	KCAS	61	65	73	82	90	99	108	117	126	136	146	156
	<hr/>												
<b>FLAPS 20°</b>	KIAS	40	50	60	70	80	90	100	110	120	---	---	---
	KCAS	52	57	64	72	80	88	98	108	118	---	---	---
	<hr/>												
<b>FLAPS FULL</b>	KIAS	40	50	60	70	80	90	95	---	---	---	---	---
	KCAS	51	56	63	71	80	89	94	---	---	---	---	---

Figure 5-1 (Sheet 1 of 2)



## AIRSPEED CALIBRATION

### ALTERNATE STATIC SOURCE

#### NOTE

Windows closed, ventilators closed, cabin heater, cabin air, and defroster on maximum.

#### CONDITIONS:

Power required for level flight or maximum power descent.

<b>FLAPS UP</b>													
KIAS	55	60	70	80	90	100	110	120	130	140	150	160	
ALT KIAS	53	58	70	81	91	101	111	121	131	141	151	161	
<b>FLAPS 20°</b>													
KIAS	40	50	60	70	80	90	100	110	120	---	---	---	
ALT KIAS	42	52	60	70	79	89	99	110	120	---	---	---	
<b>FLAPS FULL</b>													
KIAS	40	50	60	70	80	90	95	---	---	---	---	---	
ALT KIAS	35	45	55	66	77	87	93	---	---	---	---	---	

Figure 5-1 (Sheet 2)

## ALTIMETER CORRECTION ALTERNATE STATIC SOURCE

### NOTE

Add correction to desired altitude to obtain indicated altitude to fly. Windows closed, ventilators closed, cabin heater, cabin air, and defroster on maximum.

#### CONDITIONS:

Power required for level flight or maximum power descent cruise configuration. Altimeter corrections for the takeoff configuration are less than 50 feet.

CONDITION FLAPS UP	CORRECTION TO BE ADDED - FEET KIAS - Alternate Static Source <b>ON</b>					
	60	80	100	120	140	160
S.L.	30	10	-20	-30	-50	-50
2000 FT	30	10	-20	-30	-50	-60
4000 FT	30	10	-20	-40	-50	-60
6000 FT	40	20	-20	-40	-60	-70
8000 FT	40	20	-20	-40	-60	-70
10,000 FT	50	20	-20	-50	-70	-70
12,000 FT	50	20	-20	-50	-70	-70
14,000 FT	50	20	-20	-50	-70	-80

CONDITION FLAPS FULL	CORRECTION TO BE ADDED - FEET KIAS - Alternate Static Source <b>ON</b>					
	60	80	100	120	140	160
S.L.	40	20	10	---	---	---
2000 FT	40	20	10	---	---	---
4000 FT	40	20	10	---	---	---
6000 FT	40	20	10	---	---	---
8000 FT	40	20	10	---	---	---
10,000 FT	50	20	10	---	---	---

Figure 5-2

### TEMPERATURE CONVERSION CHART

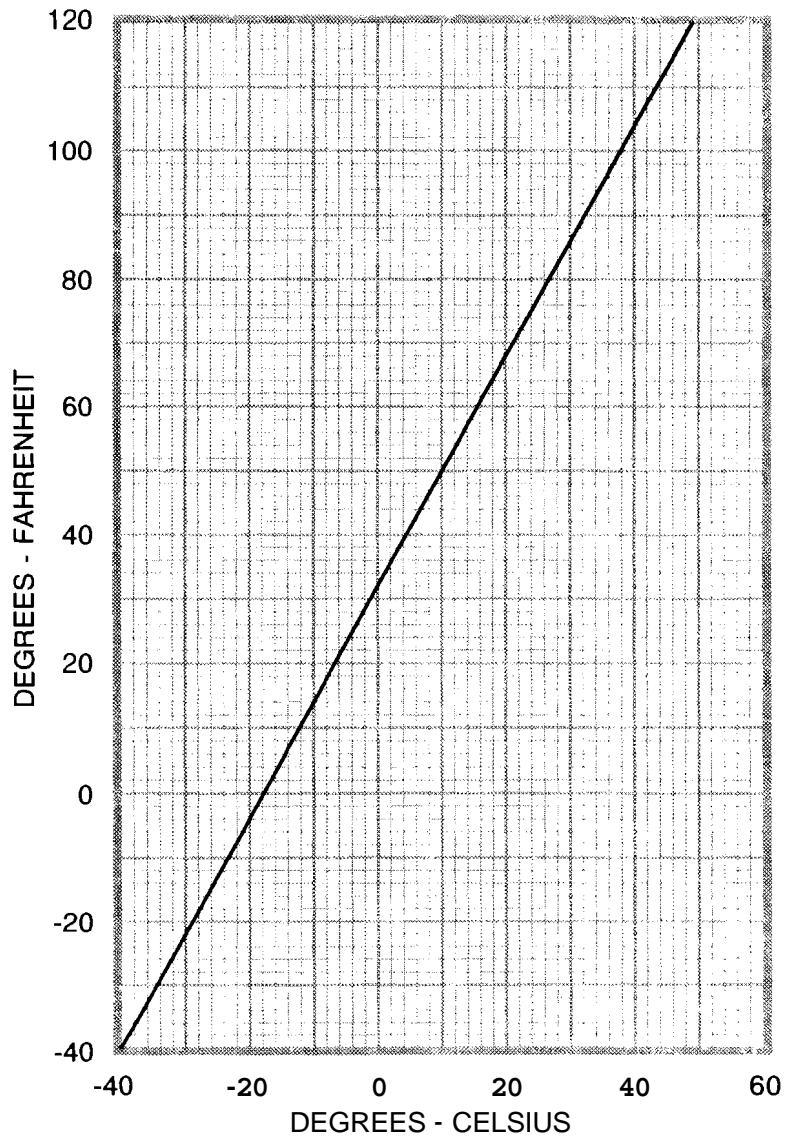


Figure 5-3

### STALL SPEEDS AT 3100 POUNDS

CONDITIONS:

Power OFF

#### MOST REARWARD CENTER OF GRAVITY

FLAP SETTING	ANGLE OF BANK							
	0°		30"		45"		60"	
	KIAS	KCAS	KIAS	KCAS	KIAS	KCAS	KIAS	KCAS
UP	50	54	54	58	59	64	71	76
20"	43	50	46	54	51	59	61	71
FULL	40	49	43	53	48	58	57	69

#### MOST FORWARD CENTER OF GRAVITY

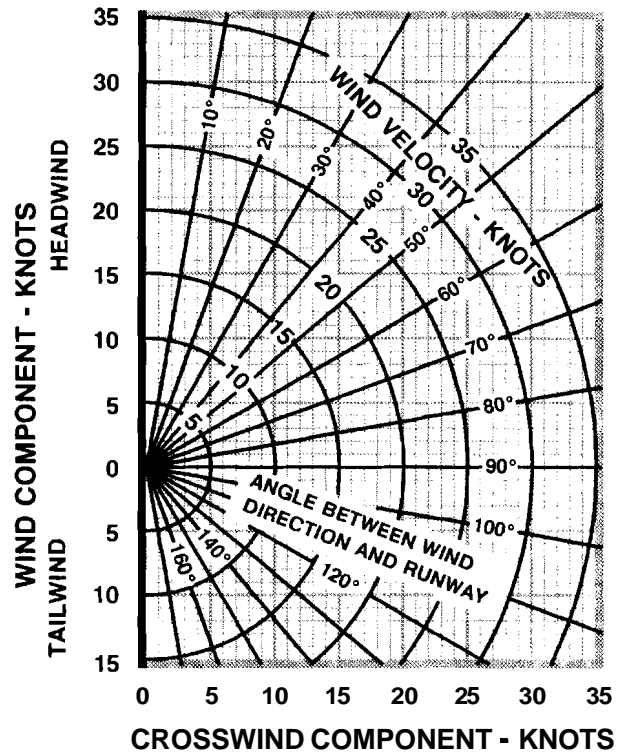
FLAP SETTING	ANGLE OF BANK							
	0°		30"		45"		60"	
	KIAS	KCAS	KIAS	KCAS	KIAS	KCAS	KIAS	KCAS
UP	51	56	55	60	61	67	72	79
20"	44	52	47	56	52	62	62	74
FULL	41	50	44	54	49	59	58	71

#### NOTE

1. Altitude loss during a stall recovery may be as much as 250 feet.
2. KIAS values are approximate.

Figure 5-4

### CROSSWIND COMPONENT



#### NOTE

Maximum demonstrated crosswind velocity is 15 knots (not a limitation).

Figure 5-5

## SHORT FIELD TAKEOFF DISTANCE AT 3100 POUNDS

CONDITIONS:

Flaps 20°  
2400 RPM, Full Throttle and Mixture Set Prior to Brake Release  
Cowl Flaps Open  
Paved, Level, Dry Runway  
Zero Wind  
Lift Off: 49 KIAS  
Speed at 50 Feet: 58 KIAS

Press Alt - Feet	0°C		10°C		20°C		30°C		40°C	
	Grnd Roll Ft	Total Ft To Clear 50 Ft Obst	Grnd Roll Ft	Total Ft To Clear 50 Ft Obst	Grnd Roll Ft	Total Ft To Clear 50 Ft Obst	Grnd Roll Ft	Total Ft To Clear 50 Ft Obst	Grnd Roll Ft	Total Ft To Clear 50 Ft Obst
S.L.	715	1365	765	1460	825	1570	885	1680	945	1800
1000	775	1490	835	1600	900	1720	965	1845	1030	1980
2000	850	1635	915	1760	980	1890	1055	2035	1130	2190
3000	925	1800	995	1940	1070	2090	1150	2255	1235	2435
4000	1015	1990	1090	2150	1175	2325	1260	2515	1355	2720
5000	1110	2210	1195	2395	1290	2595	1385	2820	1485	3070
6000	1220	2470	1315	2690	1415	2930	1520	3200	1635	3510
7000	1340	2785	1445	3045	1560	3345	1675	3685	---	---
8000	1480	3175	1595	3500	1720	3880	---	---	---	---

### NOTE

1. Short field technique as specified in Section 4.
2. Prior to takeoff, the mixture should be leaned to the Maximum Power Fuel Flow placard value in a full throttle, static runup.
3. Decrease distances 10% for each 9 knots headwind. For operation with tail winds up to 10 knots, increase distances by 10% for each 2 knots.
4. For operation on dry, grass runway, increase distances by 15% of the "ground roll" figure.

Figure 5-6 (Sheet 1 of 3)

## SHORT FIELD TAKEOFF DISTANCE AT 2700 POUNDS

CONDITIONS:

Flaps 20"  
2400 RPM, Full Throttle and Mixture Set Prior to Brake Release  
Cowl Flaps Open  
Paved, Level, Dry Runway  
Zero Wind  
Lift Off: 45 KIAS  
Speed at 50 Feet: 54 KIAS

Press Alt Feet	0°C		10°C		20°C		30°C		40°C	
	Grnd Roll Ft	Total Ft To Clear 50 Ft Obst	Grnd Roll Ft	Total Ft To Clear 50 Ft Obst	Grnd Roll Ft	Total Ft To Clear 50 Ft Obst	Grnd Roll Ft	Total Ft To Clear 50 Ft Obst	Grnd Roll Ft	Total Ft To Clear 50 Ft Obst
S.L.	520	995	560	1065	600	1135	645	1215	690	1295
1000	565	1080	610	1155	655	1235	700	1320	750	1410
2000	615	1180	665	1260	710	1350	765	1445	820	1545
3000	675	1285	725	1380	775	1480	835	1585	895	1695
4000	735	1410	790	1510	850	1625	910	1740	975	1870
5000	805	1550	865	1665	930	1790	1000	1920	1070	2065
6000	880	1705	950	1840	1020	1980	1095	2135	1175	2300
7000	965	1890	1040	2040	1120	2205	1200	2380	1290	2575
8000	1060	2100	1145	2275	1230	2465	1320	2675	1420	2910

### NOTE

1. Short field technique as specified in Section 4.
2. Prior to takeoff, the mixture should be leaned to the Maximum Power Fuel Flow placard value in a full throttle, static runup.
3. Decrease distances 10% for each 9 knots headwind. For operation with tail winds up to 10 knots, increase distances by 10% for each 2 knots.
4. For operation on dry, grass runway, increase distances by 15% of the "ground roll" figure.

Figure 5-6 (Sheet 2)

## SHORT FIELD TAKEOFF DISTANCE AT 2300 POUNDS

CONDITIONS:

Flaps 20"  
2400 RPM, Full Throttle and Mixture Set Prior to Brake Release  
Cowl Flaps Open  
Paved, Level, Dry Runway  
Zero Wind  
Lift Off: 42 KIAS  
Speed at 50 Feet: 50 KIAS

Press Alt Feet	0°C		10°C		20°C		30°C		40°C	
	Grnd Roll Ft	Total Ft To Clear 50 Ft Obst	Grnd Roll Ft	Total Ft To Clear 50 Ft Obst	Grnd Roll Ft	Total Ft To Clear 50 Ft Obst	Grnd Roll Ft	Total Ft To Clear 50 Ft Obst	Grnd Roll Ft	Total Ft To Clear 50 Ft Obst
S.L.	365	<b>705</b>	390	<b>750</b>	420	<b>800</b>	450	<b>850</b>	480	<b>905</b>
1000	395	<b>765</b>	425	<b>815</b>	455	<b>870</b>	490	<b>925</b>	520	<b>985</b>
2000	430	<b>830</b>	460	<b>885</b>	495	<b>940</b>	530	<b>1005</b>	565	<b>1070</b>
3000	470	<b>900</b>	505	<b>960</b>	540	<b>1025</b>	580	<b>1090</b>	620	<b>1165</b>
4000	510	<b>980</b>	550	<b>1045</b>	590	<b>1115</b>	630	<b>1190</b>	675	<b>1270</b>
5000	555	<b>1065</b>	600	<b>1140</b>	640	<b>1220</b>	690	<b>1305</b>	735	<b>1390</b>
6000	610	<b>1165</b>	655	<b>1250</b>	700	<b>1335</b>	755	<b>1430</b>	805	<b>1530</b>
7000	665	<b>1275</b>	715	<b>1370</b>	770	<b>1470</b>	825	<b>1570</b>	885	<b>1685</b>
8000	730	<b>1405</b>	785	<b>1510</b>	845	<b>1620</b>	905	<b>1735</b>	970	<b>1865</b>

**NOTE**

1. Short field technique as specified in Section 4.
2. Prior to takeoff, the mixture should be leaned to the Maximum Power Fuel Flow placard value in a full throttle, static runup.
3. Decrease distances 10% for each 9 knots headwind. For operation with tail winds up to 10 knots, increase distances by 10% for each 2 knots.
4. For operation on dry, grass runway, increase distances by 15% of the "ground roll" figure.

Figure 5-6 (Sheet 3)



**MAXIMUM RATE-OF-CLIMB AT 3100 POUNDS**

CONDITIONS:

Flaps Up  
2400 RPM, Full Throttle, Mixture Set to Maximum Power Fuel  
Flow placard  
Cowl Flaps Open

Press Alt - Feet	Climb Speed - KIAS	Rate-of-climb - FPM			
		-20°C	0°C	20°C	40°C
S.L.	80	1055	980	905	835
2000	79	945	975	805	735
4000	78	840	770	705	635
6000	77	735	670	605	535
8000	75	625	560	495	430
10,000	74	520	455	390	330
12,000	73	410	350	285	225
14,000	72	310	250	190	130

Figure 5-7

**TIME, FUEL AND DISTANCE TO CLIMB  
AT 3100 POUNDS**

**MAXIMUM RATE-OF-CLIMB**

CONDITIONS:

Flaps Up  
2400 RPM, Full Throttle, Mixture Set to Maximum Power Fuel  
Flow placard  
Cowl Flaps Open  
Standard Temperature

Press Alt - Feet	Climb Speed - KIAS	Rate-Of- Climb - FPM	FROM SEA LEVEL		
			TIME IN MIN	FUEL USED GAL	DIST NM
S.L.	80	925	0	0.0	0
2000	79	835	2	0.8	3
4000	78	750	5	1.5	7
6000	77	660	8	2.3	11
8000	75	565	11	3.2	16
10,000	74	470	15	4.2	21
12,000	73	375	20	5.2	29
14,000	72	285	26	6.5	38

**NOTE**

1. Add 1.7 gallons of fuel for engine start, taxi and takeoff allowance.
2. Mixture leaned to Maximum Power Fuel Flow placard value for smooth engine operation and increased power.
3. Increase time, fuel and distance by 10% for each 10°C above standard temperature.
4. Distances shown are based on zero wind.

Figure 5-8 (Sheet 1 of 2)

## TIME, FUEL AND DISTANCE TO CLIMB AT 3100 POUNDS

### NORMAL CLIMB - 90 KIAS

**CONDITIONS:**

Flaps Up  
2400 RPM, 23 in. Hg. or full throttle (whichever is less), mixture  
15 GPH or full rich (whichever is less).  
Cowl flaps as required.  
Standard Temperature

Press Alt - Feet	Climb Speed - KIAS	Rate-Of- Climb - FPM	FROM SEA LEVEL		
			TIME IN MIN	FUEL USED GAL	DIST NM
S.L.	90	665	0	0.0	0
2000	90	625	3	0.8	5
4000	90	580	6	1.6	10
6000	90	540	10	2.5	16
8000	90	455	14	3.5	23
10,000	90	370	19	4.6	31

**NOTE**

1. Add 1.7 gallons of fuel for engine start, taxi and takeoff allowance.
2. Mixture leaned to Maximum Power Fuel Flow placard value for smooth engine operation and increased power.
3. Increase time, fuel and distance by 10% for each 10°C above standard temperature.
4. Distances shown are based on zero wind.

Figure 5-8 (Sheet 2)

**CRUISE PERFORMANCE**  
**PRESSURE ALTITUDE SEA LEVEL**

CONDITIONS:

3100 Pounds  
Recommended Lean Mixture  
Cowl Flaps Closed

RPM	MP	20°C BELOW STANDARD TEMP -5°C			STANDARD TEMPERATURE 15°C			20°C ABOVE STANDARD TEMP 35°C		
		% BHP	KTAS	GPH	% BHP	KTAS	GPH	% BHP	KTAS	GPH
2400	27	---	---	---	---	---	---	---	---	---
	26	---	---	---	---	---	---	82	140	14.3
	25	84	134	14.5	81	136	14.0	78	138	13.5
	24	79	132	13.6	76	133	13.2	74	135	12.8
	23	74	129	12.8	71	130	12.4	69	131	12.1
	22	69	126	12.1	67	127	11.7	65	127	11.4
	21	65	122	11.4	62	122	11.1	60	123	10.8
	20	60	118	10.7	58	118	10.4	56	118	10.2
2300	27	---	---	---	---	---	---	84	141	14.5
	26	---	---	---	82	137	14.2	79	139	13.7
	25	80	133	13.9	78	135	13.4	75	136	13.0
	24	76	130	13.2	73	132	12.7	71	132	12.3
	23	71	127	12.4	69	128	12.0	67	129	11.7
	22	67	124	11.7	65	124	11.4	62	125	11.1
	21	62	120	11.1	60	120	10.8	58	121	10.5
	20	58	116	10.4	56	116	10.2	54	116	9.9
2200	27	---	---	---	83	137	14.4	80	139	13.9
	26	82	133	14.2	79	135	13.6	76	136	13.2
	25	77	131	13.4	75	133	12.9	72	134	12.6
	24	73	129	12.7	71	130	12.3	68	130	11.9
	23	69	126	12.0	66	126	11.7	64	126	11.3
	22	65	122	11.4	62	122	11.1	60	123	10.8
	21	60	118	10.8	58	119	10.5	56	118	10.2
	20	56	114	10.2	54	114	9.9	52	114	9.7

**NOTE**

1. Maximum cruise power is 80% MCP. Those powers above that value in the table are for interpolation purposes only.
2. For best economy, operate at peak EGT.

Figure 5-9 (Sheet 1 of 11)

**CRUISE PERFORMANCE**  
**PRESSURE ALTITUDE SEA LEVEL**

CONDITIONS:

3100 Pounds  
Recommended Lean Mixture  
Cowl Flaps Closed

RPM	MP	20°C BELOW STANDARD TEMP -5°C			STANDARD TEMPERATURE 15°C			20°C ABOVE STANDARD TEMP 35°C		
		% BHP	KTAS	GPH	% BHP	KTAS	GPH	% BHP	KTAS	GPH
2100	27	82	133	14.2	79	135	13.7	76	136	13.2
	26	78	131	13.4	75	133	13.0	73	134	12.6
	25	74	129	12.8	71	130	12.4	69	130	12.0
	24	70	126	12.1	67	127	11.8	65	127	11.4
	23	66	123	11.5	63	123	11.2	61	123	10.9
	22	61	119	10.9	59	120	10.6	57	120	10.4
	21	57	115	10.4	55	116	10.1	54	115	9.9
	20	53	111	9.8	51	111	9.6	50	111	9.3
2000	27	78	131	13.4	75	133	13.0	72	134	12.6
	26	74	129	12.8	71	130	12.4	69	131	12.0
	25	70	126	12.2	67	127	11.8	65	127	11.5
	24	66	123	11.6	64	124	11.3	62	124	11.0
	23	62	120	11.0	60	120	10.7	58	121	10.5
	22	58	116	10.5	56	117	10.2	54	116	10.0
	21	54	113	10.0	53	112	9.7	51	112	9.5
	20	51	108	9.4	49	108	9.2	47	108	9.0

**NOTE**

1. Maximum cruise power is 80% MCP. Those powers above that value in the table are for interpolation purposes only.
2. For best economy, operate at peak EGT.

Figure 5-9 (Sheet 2)

**CRUISE PERFORMANCE**  
**PRESSURE ALTITUDE 2000 FEET**

CONDITIONS:

3100 Pounds  
Recommended Lean Mixture  
Cowl Flaps Closed

RPM	MP	20°C BELOW STANDARD TEMP -9°C			STANDARD TEMPERATURE 11°C			20°C ABOVE STANDARD TEMP 31°C		
		% BHP	KTAS	GPH	% BHP	KTAS	GPH	% BHP	KTAS	GPH
2400	26	---	---	---	---	---	---	---	---	---
	25	---	---	---	83	140	14.4	80	142	13.9
	24	81	136	14.1	79	138	13.6	76	139	13.2
	23	77	133	13.3	74	134	12.8	71	135	12.4
	22	72	130	12.5	69	131	12.1	67	131	11.7
	21	67	126	11.8	65	126	11.4	63	127	11.1
	20	62	122	11.0	60	122	10.7	58	122	10.5
2300	26	---	---	---	---	---	---	82	143	14.2
	25	83	137	14.4	80	139	13.9	77	140	13.4
	24	78	134	13.6	76	136	13.1	73	137	12.7
	23	74	131	12.8	71	133	12.4	69	133	12.0
	22	69	128	12.1	67	128	11.7	65	129	11.4
	21	65	124	11.4	62	124	11.1	60	125	10.8
	20	60	120	10.7	58	120	10.5	56	120	10.2
2200	26	---	---	---	81	139	14.1	78	140	13.6
	25	80	135	13.8	77	137	13.3	74	138	12.9
	24	75	132	13.1	73	134	12.6	70	134	12.3
	23	71	129	12.4	69	130	12.0	66	130	11.6
	22	67	126	11.7	64	126	11.4	62	127	11.0
	21	62	122	11.1	60	122	10.8	58	122	10.5
	20	58	118	10.5	56	118	10.2	54	118	9.9

**NOTE**

1. Maximum cruise power is 80% MCP. Those powers above that value in the table are for interpolation purposes only.
2. For best economy, operate at peak EGT.

Figure 5-9 (Sheet 3)

**CRUISE PERFORMANCE**  
**PRESSURE ALTITUDE 2000 FEET**

CONDITIONS:

3100 Pounds  
Recommended Lean Mixture  
Cowl Flaps Closed

RPM	MP	20°C BELOW STANDARD TEMP -9°C			STANDARD- TEMPERATURE 11°C			20°C ABOVE STANDARD TEMP 31°C		
		% BHP	KTAS	GPH	% BHP	KTAS	GPH	% BHP	KTAS	GPH
2100	26	80	135	13.9	77	137	13.4	75	138	12.9
	25	76	133	13.1	73	134	12.7	71	134	12.3
	24	72	130	12.5	69	131	12.1	67	131	11.7
	23	68	127	11.8	65	127	11.5	63	127	11.2
	22	64	123	11.2	61	123	10.9	59	124	10.6
	21	59	119	10.6	57	119	10.4	55	119	10.1
	20	55	115	10.1	53	115	9.8	52	115	9.6
2000	26	76	133	13.1	73	134	12.7	71	134	12.3
	25	72	130	12.5	69	131	12.1	67	131	11.8
	24	68	127	11.9	66	127	11.5	64	128	11.2
	23	64	124	11.3	62	124	11.0	60	124	10.7
	22	60	120	10.8	58	120	10.5	56	120	10.2
	21	56	116	10.2	54	116	10.0	53	116	9.7
	20	52	112	9.7	51	112	9.4	49	111	9.2

NOTE

1. Maximum cruise power is 80% MCP. Those powers above that value in the table are for interpolation purposes only.
2. For best economy, operate at peak EGT.

Figure 5-9 (Sheet 4)

**CRUISE PERFORMANCE**  
**PRESSURE ALTITUDE 4000 FEET**

CONDITIONS:

3100 Pounds  
Recommended Lean Mixture  
Cowl Flaps Closed

RPM	MP	20°C BELOW STANDARD TEMP -13°C			STANDARD TEMPERATURE 7°C			20°C ABOVE STANDARD TEMP 27°C		
		% BHP	KTAS	GPH	% BHP	KTAS	GPH	% BHP	KTAS	GPH
2400	25	---	---	---	---	---	---	83	146	14.4
	24	84	140	14.6	81	142	14.0	78	143	13.6
	23	79	138	13.7	76	139	13.2	74	139	12.8
	22	74	134	12.9	72	135	12.5	69	135	12.1
	21	70	130	12.1	67	131	11.7	65	131	11.4
	20	65	126	11.4	62	126	11.1	60	126	10.8
2300	25	---	---	---	83	143	14.3	80	144	13.8
	24	81	138	14.0	78	140	13.5	75	141	13.1
	23	76	135	13.2	74	137	12.8	71	137	12.4
	22	72	132	12.5	69	133	12.1	67	133	11.7
	21	67	128	11.7	65	128	11.4	62	129	11.1
	20	62	124	11.1	60	124	10.7	58	124	10.5
2200	25	82	139	14.2	79	141	13.7	77	142	13.2
	24	78	136	13.4	75	138	13.0	72	138	12.6
	23	73	133	12.7	71	134	12.3	68	134	11.9
	22	69	130	12.0	66	130	11.7	64	130	11.3
	21	65	126	11.4	62	126	11.0	60	126	10.7
	20	60	122	10.7	58	122	10.4	56	121	10.2

**NOTE**

1. Maximum cruise power is 80% MCP. Those powers above that value in the table are for interpolation purposes only.
2. For best economy, operate at peak EGT.

Figure 5-9 (Sheet 5)



**CRUISE PERFORMANCE**  
**PRESSURE ALTITUDE 4000 FEET**

CONDITIONS:

3100 Pounds  
Recommended Lean Mixture  
Cowl Flaps Closed

RPM	MP	20°C BELOW STANDARD TEMP -13°C			STANDARD TEMPERATURE 7°C			20°C ABOVE STANDARD TEMP 27°C		
		% BHP	KTAS	GPH	% BHP	KTAS	GPH	% BHP	KTAS	GPH
2100	25	78	137	13.5	75	138	13.0	73	138	12.6
	24	74	134	12.8	71	135	12.4	69	135	12.0
	23	70	131	12.2	67	131	11.8	65	131	11.4
	22	66	127	11.5	63	127	11.2	61	127	10.9
	21	61	123	10.9	59	123	10.6	57	123	10.3
	20	57	119	10.3	55	119	10.1	53	118	9.8
2000	25	74	134	12.8	71	135	12.4	69	135	12.1
	24	70	131	12.2	68	131	11.8	65	132	11.5
	23	66	127	11.6	64	128	11.3	62	128	11.0
	22	62	124	11.0	60	124	10.7	58	124	10.4
	21	58	120	10.5	56	120	10.2	54	120	9.9
	20	54	116	9.9	52	115	9.7	51	115	9.4

**NOTE**

1. Maximum cruise power is 80% MCP. Those powers above that value in the table are for interpolation purposes only.
2. For best economy, operate at peak EGT.

Figure 5-9 (Sheet 6)

**CRUISE PERFORMANCE**  
**PRESSURE ALTITUDE 6000 FEET**

CONDITIONS:

3100 Pounds  
Recommended Lean Mixture  
Cowl Flaps Closed

RPM	MP	20°C BELOW STANDARD TEMP -17°C			STANDARD TEMPERATURE 3°C			20°C ABOVE STANDARD TEMP 23°C		
		% BHP	KTAS	GPH	% BHP	KTAS	GPH	% BHP	KTAS	GPH
2400	23	82	142	14.2	79	143	13.6	76	144	13.2
	22	77	138	13.3	74	139	12.8	72	139	12.4
	21	72	135	12.5	69	135	12.1	67	135	11.7
	20	67	130	11.7	65	130	11.4	62	131	11.1
	19	62	126	11.0	60	126	10.7	58	125	10.4
2300	23	79	140	13.6	76	141	13.1	73	141	12.7
	22	74	136	12.8	71	137	12.4	69	137	12.0
	21	69	132	12.1	67	133	11.7	64	133	11.4
	20	65	128	11.4	62	128	11.0	60	128	10.7
	19	60	124	10.7	58	123	10.4	56	123	10.1
2200	23	76	137	13.1	73	138	12.6	70	138	12.3
	22	71	134	12.4	69	134	12.0	66	135	11.6
	21	67	130	11.7	64	130	11.3	62	130	11.0
	20	62	126	11.0	60	126	10.7	58	125	10.4
	19	58	121	10.4	56	121	10.1	54	120	9.9
2100	23	72	135	12.5	69	135	12.1	67	135	11.7
	22	68	131	11.8	65	131	11.5	63	131	11.1
	21	63	127	11.2	61	127	10.9	59	127	10.6
	20	59	123	10.6	57	122	10.3	55	122	10.0
	19	55	118	10.0	53	118	9.8	51	117	9.5
2000	23	68	131	11.9	66	132	11.5	63	132	11.2
	22	64	127	11.3	62	128	11.0	60	128	10.7
	21	60	124	10.7	58	123	10.4	56	123	10.2
	20	56	119	10.2	54	119	9.9	52	118	9.7
	19	52	115	9.6	50	114	9.4	48	113	9.1

**NOTE**

1. Maximum cruise power is 80% MCP. Those powers above that value in the table are for interpolation purposes only.
2. For best economy, operate at peak EGT.

Figure 5-9 (Sheet 7)

**CRUISE PERFORMANCE**  
**PRESSURE ALTITUDE 8000 FEET**

CONDITIONS:

3100 Pounds  
Recommended Lean Mixture  
Cowl Flaps Closed

RPM	MP	20°C BELOW STANDARD TEMP -21°C			STANDARD TEMPERATURE -1°C			20°C ABOVE STANDARD TEMP 19°C		
		% BHP	KTAS	GPH	% BHP	KTAS	GPH	% BHP	KTAS	GPH
2400	21	74	139	12.9	72	139	12.5	69	140	12.1
	20	69	134	12.1	67	135	11.7	65	135	11.4
	19	64	130	11.4	62	130	11.0	60	130	10.7
	18	59	125	10.6	57	124	10.3	55	124	10.1
2300	21	72	136	12.5	69	137	12.0	67	137	11.7
	20	67	132	11.7	64	132	11.3	62	132	11.0
	19	62	128	11.0	60	127	10.7	58	127	10.4
	18	57	122	10.3	55	122	10.1	53	121	9.8
2200	21	69	134	12.0	66	134	11.6	64	134	11.3
	20	64	130	11.3	62	130	11.0	60	129	10.7
	19	60	125	10.7	57	125	10.4	55	124	10.1
	18	55	120	10.1	53	119	9.8	51	119	9.5
2100	21	65	131	11.5	63	131	11.2	61	131	10.8
	20	61	127	10.9	59	126	10.6	57	126	10.3
	19	57	122	10.3	55	121	10.0	53	121	9.7
	18	52	117	9.7	50	116	9.4	49	115	9.2
2000	21	62	128	11.0	60	127	10.7	58	127	10.4
	20	58	123	10.4	56	123	10.1	54	122	9.9
	19	54	118	9.9	52	118	9.6	50	117	9.4

**NOTE**

1. Maximum cruise power is 80% MCP. Those powers above that value in the table are for interpolation purposes only.
2. For best economy, operate at peak EGT.

Figure 5-9 (Sheet 8)

**CRUISE PERFORMANCE**  
**PRESSURE ALTITUDE 10,000 FEET**

CONDITIONS:

3100 Pounds  
Recommended Lean Mixture  
Cowl Flaps Closed

RPM	MP	20°C BELOW STANDARD TEMP -25°C			STANDARD TEMPERATURE -5°C			20°C ABOVE STANDARD TEMP 15°C		
		% BHP	KTAS	GPH	% BHP	KTAS	GPH	% BHP	KTAS	GPH
2400	20	72	139	12.5	69	139	12.1	67	139	11.7
	19	67	134	11.7	64	134	11.3	62	134	11.0
	18	62	129	11.0	59	129	10.6	57	128	10.3
2300	21	74	141	12.8	71	141	12.4	69	142	12.0
	20	69	136	12.1	66	137	11.7	64	136	11.3
	19	64	132	11.3	62	132	11.0	60	131	10.7
	18	59	126	10.6	57	126	10.3	55	125	10.1
2200	20	66	134	11.6	64	134	11.3	62	133	10.9
	19	62	129	11.0	59	129	10.6	57	128	10.4
	18	57	124	10.3	55	123	10.0	53	123	9.8
2100	20	63	131	11.2	61	130	10.8	59	130	10.5
	19	59	126	10.5	56	125	10.2	54	125	10.0
	18	54	121	9.9	52	120	9.7	50	119	9.4
2000	20	60	127	10.7	58	127	10.4	55	126	10.1
	19	56	122	10.1	54	122	9.8	52	121	9.6
	18	51	117	9.6	50	116	9.3	48	115	9.0

**NOTE**

1. Maximum cruise power is 80% MCP. Those powers above that value in the table are for interpolation purposes only.
2. For best economy, operate at peak EGT.

Figure 5-9 (Sheet 9)

**CRUISE PERFORMANCE**  
**PRESSURE ALTITUDE 12,000 FEET**

CONDITIONS:

3100 Pounds  
Recommended Lean Mixture  
Cowl Flaps Closed

RPM	MP	20°C BELOW STANDARD TEMP -29°C			STANDARD TEMPERATURE -9°C			20°C ABOVE STANDARD TEMP 11°C		
		% BHP	KTAS	GPH	% BHP	KTAS	GPH	% BHP	KTAS	GPH
2400	18	64	133	11.3	61	133	10.9	59	133	10.6
	17	59	127	10.5	56	127	10.2	54	126	10.0
	16	53	121	9.8	51	120	9.6	50	119	9.3
2300	18	61	131	10.9	59	130	10.6	57	130	10.3
	17	56	125	10.2	54	124	10.0	52	123	9.7
	16	52	118	9.6	50	118	9.3	48	117	9.0
2200	18	59	128	10.6	57	128	10.3	55	127	10.0
	17	54	122	9.9	52	121	9.7	50	121	9.4
2100	18	56	125	10.2	54	124	9.9	52	123	9.6
	17	52	119	9.6	50	118	9.3	48	117	9.1
2000	19	57	126	10.4	55	125	10.1	53	125	9.8
	18	53	121	9.8	51	120	9.5	49	119	9.3

**NOTE**

1. Maximum cruise power is 80% MCP. Those powers above that value in the table are for interpolation purposes only.
2. For best economy, operate at peak EGT.

Figure 5-9 (Sheet 10)

**CRUISE PERFORMANCE**  
**PRESSURE ALTITUDE 14,000 FEET**

CONDITIONS:

3100 Pounds  
Recommended Lean Mixture  
Cowl Flaps Closed

RPM	MP	20°C BELOW STANDARD TEMP -33°C			STANDARD TEMPERATURE -13°C			20°C ABOVE STANDARD TEMP 7°C		
		% BHP	KTAS	GPH	% BHP	KTAS	GPH	% BHP	KTAS	GPH
2400	16	56	126	10.1	53	125	9.8	51	124	9.6
	15	50	118	9.4	48	117	9.1	47	116	8.9
2300	16	53	123	9.8	51	122	9.6	50	121	9.3
2200	16	51	120	9.6	49	119	9.3	48	118	9.0
2100	16	49	116	9.2	47	115	8.9	45	114	8.7

**NOTE**

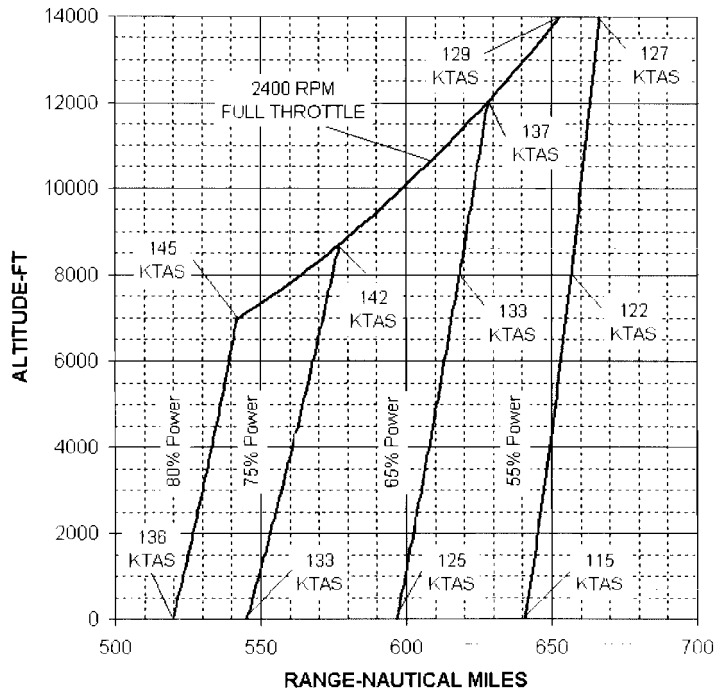
1. Maximum cruise power is 80% MCP. Those powers above that value in the table are for interpolation purposes only.
2. For best economy, operate at peak EGT.

Figure 5-9 (Sheet 11)

**RANGE PROFILE  
45 MINUTES RESERVE  
64 GALLONS USABLE FUEL**

**CONDITIONS:**

3100 Pounds  
Normal Climb to 10,000 feet then Maximum Performance Climb  
with Placard Mixture  
Recommended Lean Mixture for Cruise  
Standard Temperature  
Zero Wind



**NOTE**

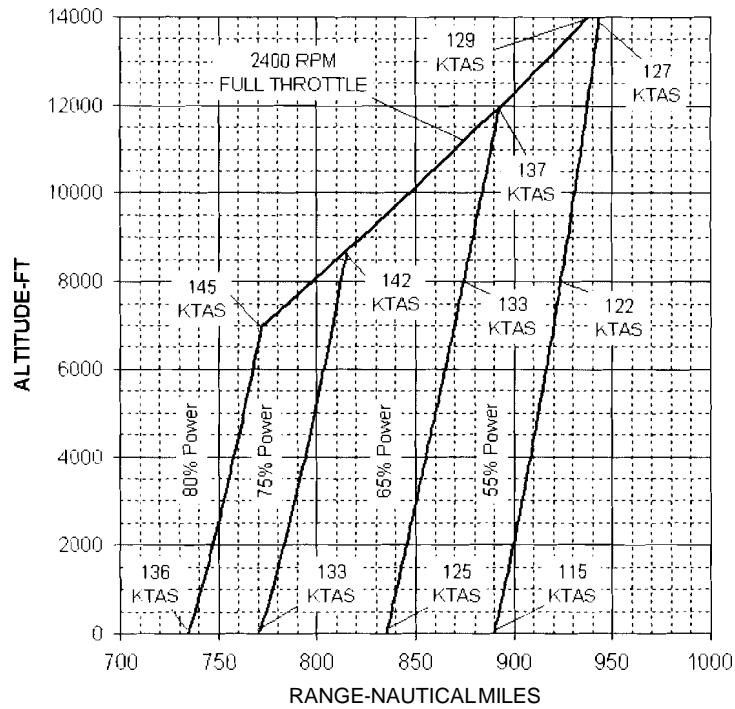
This chart allows for the fuel used for engine start, taxi, takeoff and climb, cruise at the designated power, and the distance during a normal climb up to 10,000 feet and maximum climb above 10,000 feet.

Figure 5-10 (Sheet 1 of 2)

**RANGE PROFILE**  
**45 MINUTES RESERVE**  
**87 GALLONS USABLE FUEL**

**CONDITIONS:**

3100 Pounds  
Normal Climb to 10,000 feet then Maximum Performance Climb  
with Placard Mixture  
Recommended Lean Mixture for Cruise  
Standard Temperature  
Zero Wind



**NOTE**

This chart allows for the fuel used for engine start, taxi, takeoff and climb, cruise at the designated power, and the distance during a normal climb up to 10,000 feet and maximum climb above 10,000 feet.

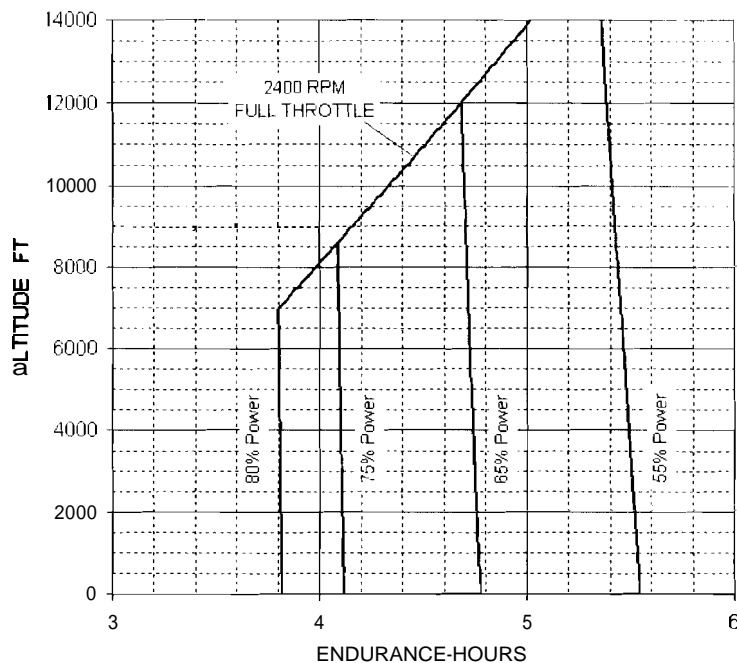
Figure 5-10 (Sheet 2)



### ENDURANCE PROFILE 45 MINUTES RESERVE 64 GALLONS USABLE FUEL

CONDITIONS:

3100 Pounds  
Normal Climb to 10,000 feet then Maximum Performance Climb  
with Placard Mixture  
Recommended Lean Mixture for Cruise  
Standard Temperature  
Zero Wind



**NOTE**

0785C1005

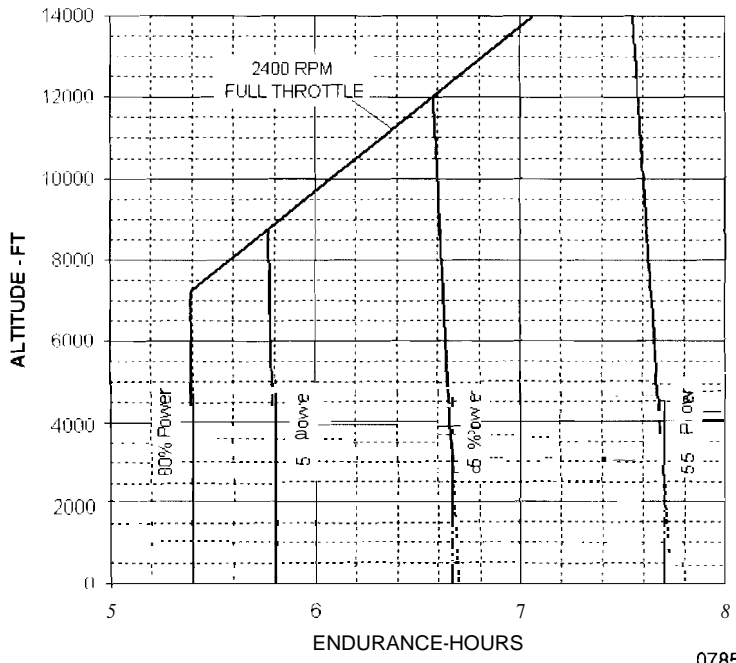
This chart allows for the fuel used for engine start, taxi, takeoff and climb, cruise at the designated power, and the time during a normal climb up to 10,000 feet and maximum climb above 10,000 feet.

Figure 5-11 (Sheet 1 of 2)

### ENDURANCE PROFILE 45 MINUTES RESERVE 87 GALLONS USABLE FUEL

CONDITIONS:

- 3100 Pounds
- Normal Climb to 10,000 feet then Maximum Performance Climb with Placard Mixture
- Recommended Lean Mixture for Cruise
- Standard Temperature
- Zero Wind



**NOTE**

This chart allows for the fuel used for engine start, taxi, takeoff and climb, cruise at the designated power, and the time during a normal climb up to 10,000 feet and maximum climb above 10,000 feet.

Figure 5-11 (Sheet 2)

## SHORT FIELD LANDING DISTANCE AT 2950 POUNDS

CONDITIONS:

Flaps FULL  
Power OFF  
Maximum Braking  
Paved, level, dry runway  
Zero Wind  
Speed at 50 Feet: 60 KIAS

Press Alt In Feet	0°C		10°C		20°C		30°C		40°C	
	Grnd Roll Ft	Total Ft To Clear 50 Ft Obst	Grnd Roll Ft	Total Ft To Clear 50 Ft Obst	Grnd Roll Ft	Total Ft To Clear 50 Ft Obst	Grnd Roll Ft	Total Ft To Clear 50 Ft Obst	Grnd Roll Ft	Total Ft To Clear 50 Ft Obst
S. L.	560	1300	580	1335	600	1365	620	1400	640	1435
1000	580	1265	600	1365	620	1400	645	1440	665	1475
2000	600	1370	625	1405	645	1440	670	1480	690	1515
3000	625	1410	645	1445	670	1485	695	1525	715	1560
4000	650	1450	670	1485	695	1525	720	1565	740	1600
5000	670	1485	695	1525	720	1565	745	1610	770	1650
6000	700	1530	725	1575	750	1615	775	1660	800	1700
7000	725	1575	750	1615	780	1665	805	1710	830	1750
8000	755	1625	780	1655	810	1715	835	1760	865	1805

### NOTE

1. Short field technique as specified in Section 4.
2. Decrease distances 10% for each 9 knots headwind. For operation with tail winds up to 10 knots, increase distances by 10% for each 2 knots.
3. For operation on dry, grass runway, increase distances by 45% of the "ground roll" figure.
4. If a landing with flaps up is necessary, increase the approach speed by 10 KIAS and allow for 40% longer distances.

Figure 5-12

# **WEIGHT AND BALANCE**

## INTRODUCTION

This section describes the procedure for establishing the basic empty weight and moment of the airplane. Sample forms are provided for reference. Procedures for calculating the weight and moment for various operations are also provided. For additional information regarding Weight and Balance procedures, refer to the Aircraft Weight and Balance Handbook (FAA-H-8083-1). A comprehensive list of Cessna equipment available for this airplane is included at the back of this section.

Specific information regarding the weight, arm, moment and installed equipment for this airplane as delivered from the factory can be found in the plastic envelope in the back of this handbook.

## WARNING

**IT IS THE RESPONSIBILITY OF THE PILOT TO MAKE SURE THE AIRPLANE IS LOADED PROPERLY. OPERATION OUTSIDE OF PRESCRIBED WEIGHT AND BALANCE LIMITATIONS COULD RESULT IN AN ACCIDENT AND SERIOUS OR FATAL INJURY.**

## AIRPLANE WEIGHING PROCEDURES

1. Preparation:
  - a. Inflate tires to recommended operating pressures.
  - b. Defuel airplane. Refer to the Maintenance Manual.
  - c. Service engine oil as required to obtain a normal full indication (approximately 8 quarts on dipstick).
  - d. Move sliding seats to the most forward position.
  - e. Raise flaps to the fully retracted position.
  - f. Place all control surfaces in neutral position.
  - g. Remove all non-required items from airplane.

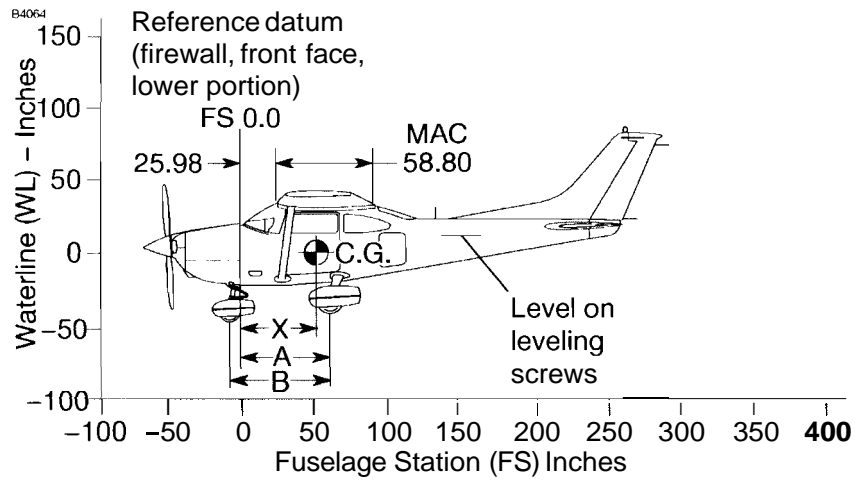
(Continued Next Page)

## AIRPLANE WEIGHING PROCEDURES (Continued)

2. Level:
  - a. Place scales under each wheel (minimum scale capacity, 1000 pounds).
  - b. Deflate the nose tire and/or lower or raise the nose strut to properly center the bubble in the level (refer to Figure 6-1).
3. Weigh:
  - a. Weigh airplane in a closed hangar to avoid errors caused by air currents.
  - b. With the airplane level and brakes released, record the weight shown on each scale. Deduct the tare, if any, from each reading.
4. Measure:
  - a. Obtain measurement A by measuring horizontally (along the airplane centerline) from a line stretched between the main wheel centers to a plumb bob dropped from the firewall.
  - b. Obtain measurement B by measuring horizontally and parallel to the airplane centerline, from center of nose wheel axle, left side, to a plumb bob dropped from the line between the main wheel centers. Repeat on right side and average the measurements.
5. Using weights from step 3 and measurements from step 4, the Basic Empty Weight and C.G. can be determined by completing Figure 6-1.
6. Changes to the Airplane Weight and Balance due to alteration or repair must be documented in a permanent record within the POH similar to that shown in Figure 6-2.
7. A new Basic Empty Weight and CG Arm based on actual airplane weight (as weighed) is required after a major repair or alteration. It is recommended that the airplane be weighed to verify Basic Empty Weight and CG Arm at intervals not to exceed 5 years.

(Continued Next Page)

### AIRPLANE WEIGHING FORM



**NOTE**  
It is the responsibility of the pilot to make sure that the airplane is loaded properly.

0785T1001

Figure 6-1 (Sheet 1 of 2)

## AIRPLANE WEIGHING FORM

84065

**Locating CG with Airplane on Landing Gear**

$$X \text{ (Inches Aft of Datum)} = A - \left[ \frac{\text{Nosewheel Weight} \times \square}{\text{Total Weight}^*} \right]$$

\*(Nose+ L + R Wheel Weights)

**Locating Percent MAC**

$$\text{CG Percent MAC} = \frac{(\text{CG Arm of Airplane}) - 25.98}{0.5880}$$

**Measuring A and B**

**Leveling Provisions**

Longitudinal - Left side of tailcone at FS 139.65 and 171.65

Measure A and B per pilot's operating handbook instructions to assist in locating CG with airplane weighed on landing gear.

**Airplane as Weighed Table**

Position	Scale reading	Scale drift	Tare	Net weight
Left Wheel				
Right Wheel				
Nose Wheel				
Airplane total as weighed				

**Basic Empty Weight and Center-of-Gravity Table**

Item	Weight Pounds	CG Arm (Inches)	Moment (Inch-Pounds /1000)
Airplane (calculated or as weighed) (includes all undrainable fluids and full oil)			
Drainable unusable fuel at 6.0 pounds per gallon - (5 gallons)	30.0	48.00	1.4
Basic Empty Weight			

Figure 6-1 (Sheet 2)



**SAMPLE WEIGHT AND BALANCE RECORD**

**SAMPLE WEIGHT AND BALANCE RECORD**

(Continuous history of changes in structure or equipment affecting weight and balance)

Airplane model			Serial number	Page number								
Date	Item no.		Description of article or modification	Weight change						Running basic empty weight		
	In	Out		Added (+)			Removed (-)			WT. (lb.)	Moment /1000	
				WT. (lb.)	Arm (in)	Moment /1000	WT. (lb.)	Arm (in.)	Moment /1000			
			As delivered									

0565T1009

Figure 6-2

182TPHAUS-02

U.S. 6-7

## WEIGHT AND BALANCE

The following information will enable you to operate your Cessna within the prescribed weight and center-of-gravity limitations. To determine weight and balance, use the Sample Loading Problem (Figure 6-3), Loading Graph (Figure 6-4), and Center-of-Gravity Moment Envelope (Figure 6-7) as follows:

Enter the appropriate basic empty weight and moment/1000 from the weight and balance records for your airplane in the YOUR AIRPLANE column of the Sample Loading Problem.

### NOTE

In addition to the basic empty weight and moment noted on these records, the C.G. arm (FS) is also shown, but need not be used on the Sample Loading Problem. The moment which is shown must be divided by 1000 and this value used as the moment/1000 on the loading problem.

Use the Loading Graph to determine the moment/1000 for each additional item to be carried; then list these on the loading problem.

### NOTE

Loading Graph information for the pilot, passengers and baggage is based on seats positioned for average occupants and baggage loaded in the center of the baggage areas as shown on the Loading Arrangements diagram. For loadings which may differ from these, the Sample Loading Problem lists fuselage stations (FS) for these items to indicate their forward and aft C.G. range limitations (seat travel and baggage area limitation). Refer to Figures 6-5 and 6-6 for additional loading information. Additional moment calculations, based on the actual weight and C.G. arm (FS) of the item being loaded, must be made if the position of the load is different from that shown on the Loading Graph.

(Continued Next Page)

## **WEIGHT AND BALANCE** (Continued)

Total the weights and moments/1000 and plot these values on the Center of Gravity Moment Envelope to determine whether the point falls within the envelope, and if the loading is acceptable.

### **BAGGAGE TIEDOWN**

A nylon baggage net having four tiedown straps is provided as standard equipment to secure baggage in the area aft of the rear seat (baggage areas, A, B and C). Eight eyebolts serve as attaching points for the net. A placard on the baggage door defines the weight limitations in the baggage areas.

When baggage area A is utilized for baggage only, the four forward eyebolts should be used. When only baggage area B is used, the eyebolts just aft of the baggage door and the eyebolts above or below the shelf area may be used. When only baggage area C is utilized, the eyebolts above and below the shelf area should be used. When the cabin floor (baggage areas A and B) is utilized for baggage, the four forward eyebolts and the eyebolts mounted above or below the shelf area should be used. When there is baggage in areas B and C, the eyebolts just aft of the baggage door and the eyebolts above and below the shelf area should be used.

(Continued Next Page)

## **WEIGHT AND BALANCE** (Continued)

When baggage is contained in all three areas, the two forward eyebolts on the cabin floor, the eyebolts just aft of the baggage door or the eyebolts at the bottom of the forward portion of the shelf area and the eyebolts near the upper forward surface of the shelf area should be used.

The rear bench seat can be removed to access the floorboard area of the rear cabin. Baggage may then be tied down using ten tiedown eyebolts to standard attach points located in the interior area of the airplane shown in Figure 6-6.

The maximum allowable floor loading of the rear cabin area is 200 pounds/square foot; however, when items with small or sharp support areas are carried, the installation of a plywood floor is recommended to protect the airplane structure.

The maximum rated load weight capacity for each of the ten tiedowns is 140 pounds. Rope, strap or cable used for tiedown should be rated at a minimum of ten times the load weight capacity of the tiedown fittings used. Weight and balance calculations for items in the area of the rear seat and baggage area can be figured on the Loading Graph using the lines labeled Rear Passengers or Cargo.

**SAMPLE LOADING PROBLEM**

ITEM DESCRIPTION	WEIGHT AND MOMENT TABULATION			
	SAMPLE AIRPLANE		YOUR AIRPLANE	
	Weight (Lbs.)	Moment (Lb-ins. /1000)	Weight (Lbs.)	Moment (Lb-ins. /1000)
1. Basic Empty Weight (Use the data pertaining to your airplane as it is presently equipped. Includes unusable fuel and full oil)	1924	70.9		
2. Usable Fuel (At 6 Lbs./Gal.)				
Standard Fuel 87 Gallons Maximum	522	24.3		
Reduced Fuel (64 Gallons)				
3. Pilot and Front Passenger (FS 32 to 50)	340	12.6		
4. Rear Passengers (FS 74)	200	14.8		
Cargo - Replacing Rear Passenger Seat (FS 65 to 82)				
5. *Baggage "A" (FS 82 to 109) 120 Pounds Maximum	100	9.7		
*Baggage "B" (FS 109 to 124) 80 Pounds Maximum	24	3.0		
*Baggage "C" (FS 124 to 134) 80 Pounds Maximum				
6. <b>RAMP WEIGHT AND MOMENT</b>	<b>3110</b>	<b>135.3</b>		
7. Fuel allowance for engine start, taxi and runup	-10	-0.5		
8. <b>TAKEOFF WEIGHT AND MOMENT</b> (Subtract Step 7 from Step 6)	<b>3100</b>	<b>134.8</b>		

9. Locate this point (3100 at 134.8) on the Center-of-Gravity Moment Envelope, and since this point falls within the envelope, the loading is acceptable, providing that flight time is allowed for fuel burn-off to a maximum of 2950 pounds before landing.

The maximum allowable combined weight capacity for baggage in areas A, B and C is 200 pounds. The maximum allowable combined weight capacity in areas B and C is 80 pounds.

Figure 6-3 (Sheet 1 of 2)

### SAMPLE LOADING PROBLEM

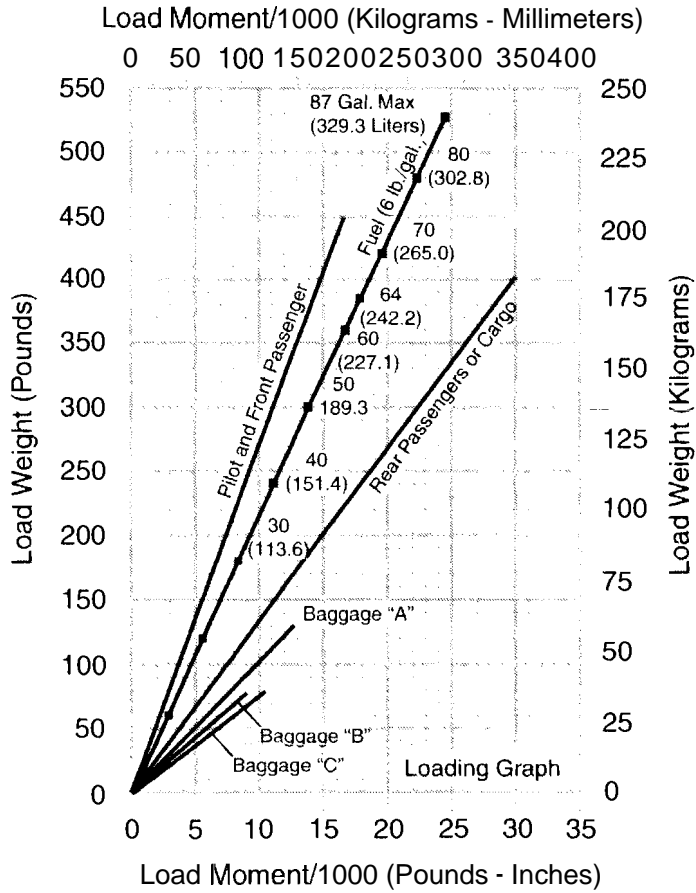
YOUR AIRPLANE		YOUR AIRPLANE		YOUR AIRPLANE	
Weight (lbs.)	Moment (Lb-ins, /1000)	Weight (lbs.)	Moment (Lb-ins, /1000)	Weight (lbs.)	Moment (Lb-ins, /1000)

When several loading configurations are representative of your operations, it may be useful to fill out one or more of the above columns so that specific loadings are available at a glance.

Figure 6-3 (Sheet 2)

### LOADING GRAPH

B4066



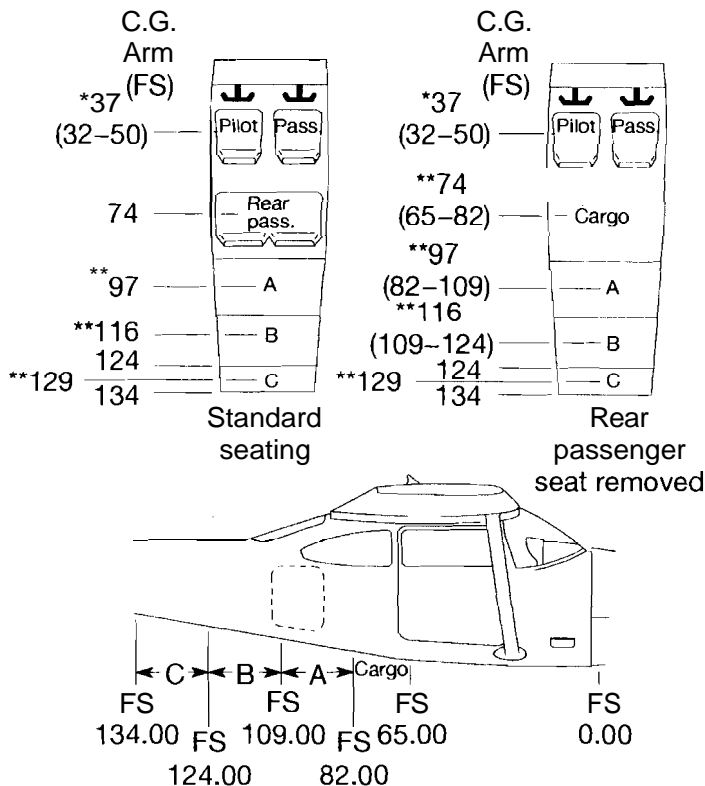
**NOTE**

Line representing adjustable seats shows the pilot and front seat passenger center-of-gravity on adjustable seats positioned for an average occupant. Refer to the Loading Arrangements diagram for forward and aft limits of occupant C.G. range.

Figure 6-4

### LOADING ARRANGEMENTS

B4067



0785T1021

- \* Pilot or passenger center-of-gravity on adjustable seats positioned for average occupant. Numbers in parentheses indicate forward and aft limits of occupant center-of-gravity range.
- \*\* Arms measured to the center of the areas shown.

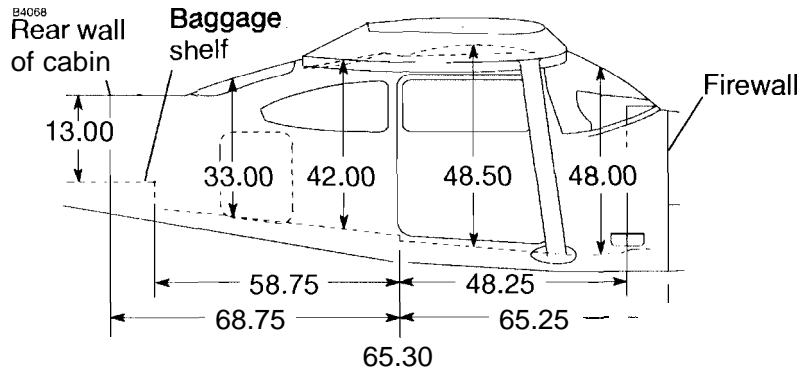
#### NOTE

- The usable fuel C.G. arm is located at FS 46.50.
- The aft baggage wall (approximate FS 134.00) can be used as a convenient interior reference point for determining the location of baggage area fuselage stations.

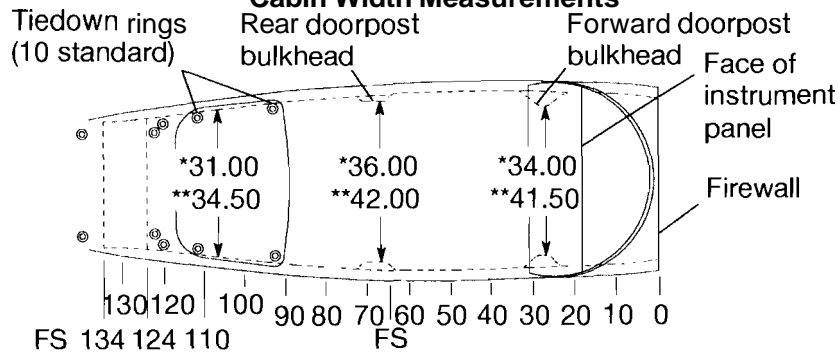
 Figure 6-5



### INTERNAL CABIN DIMENSIONS



#### Cabin Width Measurements



#### CODE

\*Cabin floor  
\*\*Lower window line

#### Door Opening Dimensions

	Width (top)	Width (bottom)	Height (front)	Height (rear)
Cabin doors	32.00	36.50	41.00	38.50
Baggage door	15.75	15.75	22.00	20.50

078511020

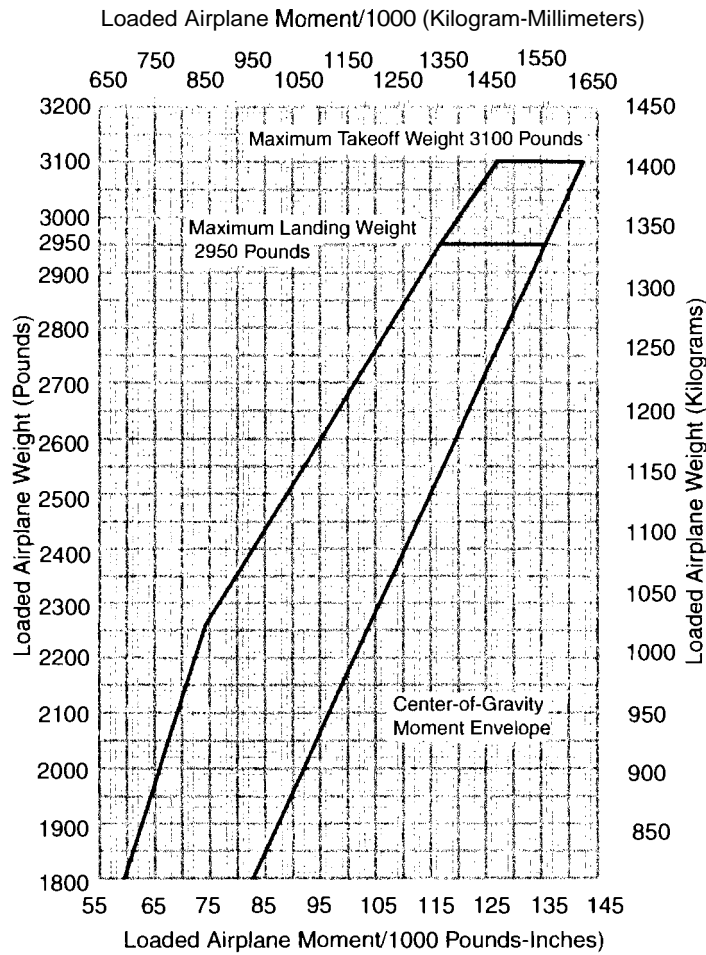
#### NOTE

- Maximum allowable floor loading: 200 pounds/square foot.
- All dimensions shown are in inches.

Figure 6-6

## CENTER-OF-GRAVITY MOMENT ENVELOPE

B4069



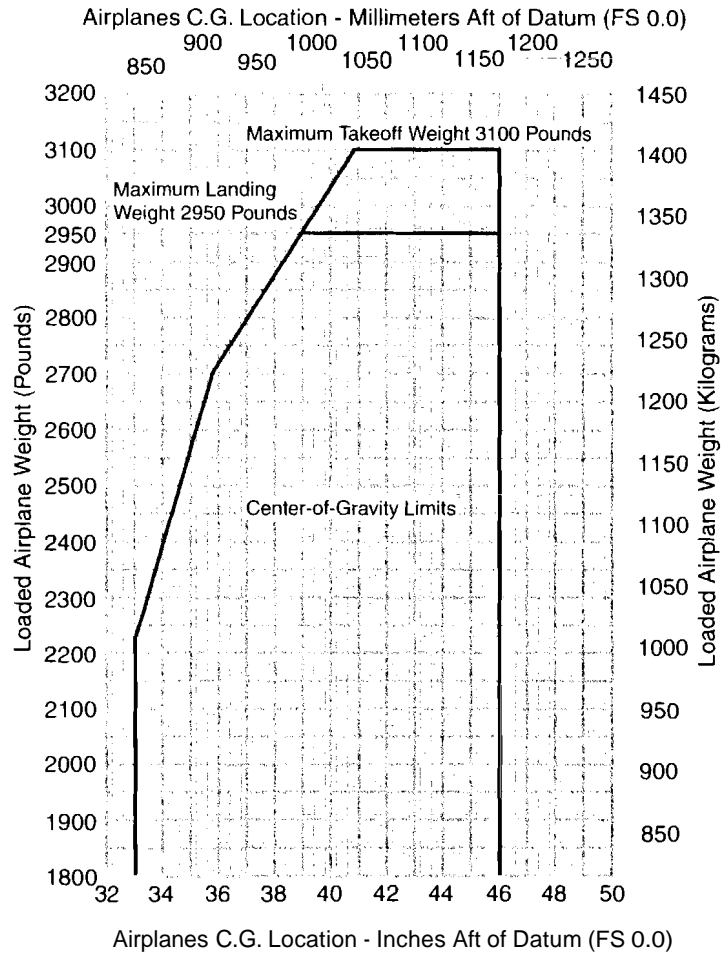
### NOTE

If takeoff weight is more than maximum landing weight, allow flight time for fuel burn off to 2950 pounds before landing.

Figure 6-7

### CENTER-OF-GRAVITY LIMITS

64070



#### NOTE

If takeoff weight is more than maximum landing weight, allow flight time for fuel burn off to 2950 pounds before landing.

Figure 6-8



## COMPREHENSIVE EQUIPMENT LIST

Figure 6-9 is a comprehensive list of all Cessna equipment which is available for the Model 182T airplane equipped with Garmin G1000 Integrated Cockpit System. This comprehensive equipment list provides the following information in column form:

In the **ITEM NO** column, each item is assigned a coded number. The first two digits of the code represent the identification of the item within Air Transport Association Specification 100 (11 for Paint and Placards; 24 for Electrical Power; 77 for Engine Indicating, etc.). These assignments also correspond to the Maintenance Manual chapter for the airplane. After the first two digits, items receive a unique sequence number (01, 02, 03, etc.). After the sequence number, a suffix letter is assigned to identify equipment as a required item, a standard item or an optional item.

Suffix letters are as follows:

- R= Required items or equipment for FAA certification (14 CFR Part 23 or Part 91).
- S= Standard equipment items.
- O= Optional equipment items replacing required or standard items.
- A= Optional equipment items which are in addition to required or standard items.

In the **EQUIPMENT LIST DESCRIPTION** column, each item is assigned a descriptive name to help identify its function.

In the **REF DRAWING** column, a Cessna drawing number is provided which corresponds to the item.

### NOTE

If additional equipment is to be installed, it must be done in accordance with the reference drawing, service bulletin or a separate FAA approval.

In the **WT LBS** and **ARM INS** columns, information is provided on the weight (in pounds) and arm (in inches) of the equipment item.

### NOTE

- Unless otherwise indicated, true values (not net change values) for the weight and arm are shown. Positive arms are distances aft of the airplane datum; negative arms are distances forward of the datum.
- Asterisks (\*) in the weight and arm column indicate complete assembly installations. Some major components of the assembly are listed on the lines immediately following. The sum of these major components does not necessarily equal the complete assembly installation.

SECTION 6 CESSNA  
 WEIGHT AND BALANCE/EQUIPMENT LIST MODEL 182T NAV III

ITEM NO	EQUIPMENT LIST DESCRIPTION	REF DRAWING	WT LBS	ARM INS.
<b>11 - PAINT AND PLACARDS</b>				
11-02-S	PAINT, OVERALL WHITE W/COLOR STRIPE -OVERALL WHITE COVER - COLOR STRIPING	0700811	19.6' 18.8 0.8	92.9' 91.5 135.9
<b>21 - AIR CONDITIONING</b>				
21-01-S	VENTILATORS, ADJUSTABLE, CABIN AIR	0715101	1.7	38.5
21-02-S	CABIN HEATER SYSTEM, SHROUDED MUFFLER TYPE	0750636	2.5	-29.5
21-03-R	FORWARD AVIONICS COOLING FAN - MC24B3	3930370	0.5	12.7
21-04-R	AFT AVIONICS COOLING FAN	3940389	1.1	125.5
<b>22 - AUTO FLIGHT</b>				
22-01-S	TWO AXIS AUTOPILOT - KAP 140 TWO AXIS AUTOPILOT COMPUTER WITH ALTITUDE PRESELECT AND GPS ROLL STEERING - KS-270C PITCH SERVO - KS-272C PITCH TRIM SERVO - KS 271C ROLL SERVO	3930489  3940431-1 0701146-1 3940432-1	2.6  4.1 4.1 3.6	12.0  158.8 176.4 52.0
<b>23 - COMMUNICATIONS</b>				
23-01-S	STATIC DISCHARGE WICKS (SET OF 10)	1201131-2	0.3	152.9
23-18-R	AUDIO/INTERCOM/MARKER BEACON - GMA 1347 AUDIO PANEL - CI 102 MARKER BEACON ANTENNA	3930368 3910317-2 3960193-2	2.6 0.5	16.5 131.5
23-20-R	NAV/COM/GPS#1 COMPUTER - GIA 63 INTEGRATED AVIONICS UNIT - CI 2480-200 VHF COMM/GPS ANTENNA	3940389 3910317-4 3960222-5	4.9 0.5	134.0 61.2
23-21-S	NAV/COM/GPS#2 COMPUTER - GIA 63 INTEGRATED AVIONICS UNIT - CI 2480-400 VHF COMM/GPS/XM ANTENNA	3940389 3910317-4 3960222-6	4.9 0.5	134.0 61.2
<b>24 - ELECTRICAL POWER</b>				
24-01-R	ALTERNATOR, 28 VOLT, 60 AMP- 9910591-11	0750635	10.0	-33.4
24-02-0	ALTERNATOR, 28 VOLT, 95 AMP - 9910592-3	0701169	15.7	-33.4
24-03-R	POWER DISTRIBUTION MODULE S3100-3CC - ALTERNATOR CONTROL UNIT - MASTER CONTACTOR - STARTER CONTACTOR - AMMETER TRANSDUCER	ACC2101 X61-0007 X61-0012 CS3200	6.4* 0.2 0.7 0.7 0.1	-2.5* -2.5 -2.5 -2.5 -2.0
24-04-R	BATTERY, 24 VOLT, 12.75 AMP HOUR - C614002-0101	0718016	23.2	132.1
24-05-0	BATTERY, 24 VOLT, 15.5 AMP HOUR - C614002-0102	0701169	27.2	132.1
24-06-S	BATTERY, STANDBY - AVT 200413	0718023-1	14.0	10.8

Figure 6-9 (Sheet 1 of 6)

ITEM NO	EQUIPMENT LIST DESCRIPTION	REF DRAWING	WT LBS	ARM INS.
<b>25 - EQUIPMENT/FURNISHINGS</b>				
25-01-R	SEAT, PILOT, ADJUSTABLE, CLOTH/VINYL COVER	0719012-1	33.8	41.5
25-02-0	SEAT, PILOT, ADJUSTABLE, LEATHERNINYL COVER	0719031-1	34.3	41.5
25-03-S	SEAT, FRONT PASSENGER, ADJUSTABLE, CLOTHNINYL COVER	0719012-2	33.8	41.5
25-04-0	SEAT, FRONT PASSENGER, ADJUSTABLE, LEATHERNINYL COVER	0719031-2	34.3	41.5
25-05-S	SEAT, REAR, TWO PIECE BACK, CLOTHNINYL COVER	0719034-1	50.0	82.0
25-06-0	SEAT, REAR, TWO PIECE BACK, LEATHERNINYL COVER	0719037-1	51.0	82.0
25-07-R	SEAT BELT AND SHOULDER HARNESS, INERTIA REEL, AUTO ADJUST, PILOT AND FRONT PASSENGER	0719042-1	5.2	50.3
25-08-0	SEAT BELT AND SHOULDER HARNESS, INERTIA REEL, MANUAL ADJUSTABLE, PILOT AND FRONT PASSENGER	0719042	4.0	50.3
25-09-S	SEAT BELT AND SHOULDER HARNESS, INERTIA REEL, AUTO ADJUST, REAR SEAT	0719042-1	5.2	87.8
25-10-0	SEAT BELT AND SHOULDER HARNESS, INERTIA REEL, MANUAL ADJUSTABLE, REAR SEAT	0719042	4.0	87.8
25-11-S	SUN VISOR (SET OF 2)	0514166-1	1.2	33.0
25-12-S	BAGGAGE RETAINING NET	1215171-2	0.5	108.0
25-13-S	CARGO TIEDOWN RINGS (SET OF 10)	1211203-4	0.4	108.0
25-15-R	PILOT'S OPERATING HANDBOOK AND FAA APPROVED AIRPLANE FLIGHT MANUAL (STOWED IN FRONT PASSENGER'S SEAT BACK)	0700765-3	2.2	49.5
25-16-S	FUEL SAMPLING CUP (STOWED IN PILOT'S SEAT BACK)	S2107-1	0.1	49.5
25-17-S	TOW BAR, NOSE GEAR (STOWED)	0501019-1	1.7	108.0
25-18-S	EMERGENCY LOCATOR TRANSMITTER	3940430		
	- ELT TRANSMITTER	3000-11	1.9	150.8
	- ANTENNA AND CABLE ASSEMBLY	3003-45	0.3	152.6
25-39-R	GARMIN G1000 COCKPIT REFERENCE GUIDE (STOWED IN COCKPIT SIDE PANEL POCKET)		1.5	15.0
25-40-O	APPROACH PLATE HOLDER	0715083-1	0.1	22.0
<b>26 - FIRE PROTECTION</b>				
26-01-S	FIRE EXTINGUISHER	0501011-3	5.3'	29.0'
	- FIRE EXTINGUISHER, HAND TYPE	A352GS	4.8	29.0
	- MOUNTING CLAMP AND HARDWARE	1290010-1	0.5	29.0

Figure 6-9 (Sheet 2)

SECTION 6 CESSNA  
 WEIGHT AND BALANCE/EQUIPMENT LIST MODEL 182T NAV III

ITEM NO	EQUIPMENT LIST DESCRIPTION	REF DRAWING	WT LBS	ARM INS.
<b>27 - FLIGHT CONTROLS</b>				
27-01-S	DUAL CONTROLS, RIGHT SEAT	0706015-1	5.9'	12.9*
	- CONTROL WHEEL, COPILOT	0713377-4	2.3	26.0
	- RUDDER AND BRAKE PEDAL, COPILOT	0760650-4	3.6	6.8
27-02-0	RUDDER PEDAL EXTENSION (SET OF 2) (INSTALLED ARM SHOWN)	0501082-1	2.9	8.0
<b>28 - FUEL</b>				
28-01-R	AUXILIARY FUEL PUMP - S100-00-4	0716158	1.9	-12.0
28-02-R	FUEL SENDER - S3852-3, -4	0770701	0.1	56.3
<b>30 - ICE AND RAIN PROTECTION</b>				
30-02-S	STALL SENSOR HEAT AND PITOT HEAT	0720701	0.7	28.0
<b>31 - INDICATING/RECORDING SYSTEM</b>				
31-01-S	RECORDING HOURMETER - C664503-0103	0706015	0.5	16.7
31-04-R	STALL WARNING SYSTEM			
	- STALL WARNING HORN - 0718007-1	0718009	0.5	40.0
	- WING UNIT, STALL WARNING - S1672-9	0720701	0.3	25.6
31-05-R	GEA 71 ENGINE/AIRFRAME UNIT	3930368	2.2	11.4
31-06-R	GTP 59 OUTSIDE AIR TEMPERATURE (OAT) PROBE	0706015	0.1	41.5
<b>32 - LANDING GEAR</b>				
32-01-R	WHEEL BRAKE AND TIRE, 6.00 X 6 MAIN (2)	0741625-5	37.1'	58.6'
	- WHEEL ASSY, CLEVELAND 40-75B (EACH)	C163001-0301	7.8	58.9
	- BRAKE ASSY, CLEVELAND 30-52 (EACH)	030-05219-1	1.8	55.5
	- TIRE, 6-PLY (EACH)	C262003-0204	7.9	58.9
	- TUBE, (EACH)	C262023-0102	1.3	58.9
32-02-R	WHEEL AND TIRE ASSY, 5.00 X 5 NOSE	0540000-2	8.8*	-7.1'
	- WHEEL ASSY, CLEVELAND 40-77	1241156-12	2.8	-7.1
	- TIRE, 6-PLY	C262003-0202	4.6	-7.1
	- TUBE	C262023-0101	1.4	-7.1
32-03-A	WHEEL FAIRING AND INSTALLATION	0741643-1	16.4*	44.5'
	- WHEEL FAIRING, NOSE	0743050-14	3.1	-6.0
	- WHEEL FAIRINGS, MAIN (SET OF 2)	0741647-1,-2	9.5	60.6
32-04-A	HUB CAPS, WHEELS	0741048-8	0.1	62.1

Figure 6-9 (Sheet 3)



CESSNA SECTION 6  
 MODEL 182T NAV III WEIGHT AND BALANCE/EQUIPMENT LIST

ITEM NO	EQUIPMENT LIST DESCRIPTION	REF DRAWING	WT LBS	ARM INS.
<b>33 - LIGHTS</b>				
33-01-S	MAP LIGHT IN CONTROL WHEEL	0760149-5	0.2	21.5
33-02-S	COURTESY LIGHTS UNDER WING	0700615-18	0.7	61.7
33-04-S	FLASHING BEACON	0701042-6	0.8	253.1
33-05-R	ANTICOLLISION STROBE LIGHT	0723628	3.2	40.4
33-06-S	LANDING AND TAXI LIGHT	1221059-7,-8	2.2	26.8
<b>34 - NAVIGATION</b>				
34-01-R	INDICATOR, AIRSPEED - S3325-5	0706015	0.7	16.2
34-02-S	ALTERNATE STATIC AIR SOURCE	0701028-4	0.2	15.5
34-03-R	ALTIMETER, SENSITIVE WITH 20 FOOT MARKINGS, INCHES OF MERCURY AND MILLBARS - S3328-1	0706015	0.9	15.3
34-06-R	COMPASS, MAGNETIC	1213679-5	0.5	18.0
34-17-R	TRANSPONDER	3940389		
	- GTX-33 TRANSPONDER	3910317-5	3.6	134.0
	- CI 105-16 TRANSPONDER ANTENNA	3960195	0.4	86.5
34-18-R	PFD DISPLAY	3930368		
	- GDU-1040 DISPLAY	3910317-1	6.5	15.0
34-19-R	MFD DISPLAY	3925110		
	- GDU-1040 DISPLAY	3910317-1	6.5	15.0
34-20-R	ATTITUDE HEADING REFERENCE SENSOR (AHRS)	3940389		
	- GRS 77 AHRS	3910317-3	2.6	134.0
	- GMU 44 MAGNETOMETER	3940394	0.3	44.0
34-21-R	AIR DATA COMPUTER	3930368		
	- GDC 74A AIR DATA COMPUTER	3910317-6	3.6	11.4
34-23-S	BLIND YAW RATE SENSOR (TURN COORDINATOR)	3930372	1.2	15.5
34-24-O	WX 500 STORMSCOPE			
	- PROCESSOR - S3100-276	3940403	2.5	162.0
	- ANTENNA - 805-10930-001	3960206	1.0	175.4
34-25-S	GDL-69A DATALINK	3930374	2.8	11.4
34-26-O	AUTOMATIC DIRECTION FINDER (ADF)			
	- KR 87 ADF RECEIVER	3930495	3.2	12.2
	- ADF ANTENNA	3960192	4.2	39.3
34-27-O	DISTANCE MEASURING EQUIPMENT (DME)			
	- KN 63 REMOTE DME	3940449	2.8	177.2
	- CI 105-16 DME ANTENNA	3960232	0.4	114.5
34-28-O	KTA 810 TRAFFIC ADVISORY SYSTEM	3940441	8.8	165.0

Figure 6-9 (Sheet 4)

SECTION 6 CESSNA  
 WEIGHT AND BALANCE/EQUIPMENT LIST MODEL 182T NAV III

ITEM NO	EQUIPMENT LIST DESCRIPTION	REF DRAWING	WT LBS	ARM INS.
<b>37 - VACUUM</b>				
37-03-R	ENGINE DRIVEN - VACUUM PUMP			
	-VACUUM PUMP - AA3215CC	0706009	2.1	-5.0
	- COOLING SHROUD	1201998-1	0.2	-5.6
	- FILTER	1201075-2	0.3	11.5
	- VACUUM REGULATOR	AA2H3-2	0.5	2.1
37-04-R	VACUUM TRANSDUCER - P165-5786	0706015	0.3	8.5
<b>53 - FUSELAGE</b>				
53-01-S	REFUELING STEPS AND HANDLE	0701127-2	1.7	15.2
53-03-A	STABILIZER ABRASION BOOTS (SET OF 2)	0500041-3	0.6	206.0
<b>56 - WINDOWS</b>				
56-01-S	WINDOW, HINGED RIGHT SIDE (NET CHANGE)	0711050-48	2.3	48.0
56-02-S	WINDOW, HINGED LEFT SIDE (NET CHANGE)	0711050-47	2.3	48.0
<b>61 - PROPELLER</b>				
61-01-R	PROPELLER ASSEMBLY, 3-BLADE OIL FILLED HUB - P4317296-01 MCCAULEY B3D36C431/80VSA-1	0750645	76.6	-47.5
61-02-R	SPINNER, 3-BLADE - D-7261-2	0750645	4.1	-49.9
61-03-R	GOVERNOR, PROPELLER - C161031-0119	0750636	2.7	-42.5
<b>71 - POWERPLANT</b>				
71-01-R	FILTER, INDUCTION AIR - P106150	0750636	1.3	-35.2
71-02-O	WINTERIZATION KIT (INSTALLED ARM SHOWN)	0752733-1	1.2	-42.0
<b>72 - ENGINES</b>				
72-01-R	ENGINE, LYCOMING 10-540 AB1A	0750635-1	400.4'	-23.6'

Figure 6-9 (Sheet 5)

ITEM NO	EQUIPMENT LIST DESCRIPTION	REF DRAWING	WT LBS	ARM INS.
<b>73 - ENGINE FUEL AND CONTROL</b>				
73-03-S	MANIFOLD PRESSURE TRANSDUCER - P165-30A-E4C	0750635	0.1	-8.5
73-04-S	FUEL FLOW TRANSDUCER - 680501J	0750635	0.8	-12.4
<b>77 - ENGINE INDICATING</b>				
77-03-R	ENGINE TACHOMETER SENSOR - 1A3C-1	0701171	0.2	-8.0
77-04-R	CYLINDER HEAD THERMOCOUPLES (ALL CYLINDERS) - 32DKWUE006F0126	0701171	0.2	-12.0
77-05-S	EXHAUST THERMOCOUPLES (ALL CYLINDERS) - 86317	0701171	0.3	-12.0
<b>78 - EXHAUST</b>				
78-01-R	EXHAUST SYSTEM	0750635		
	- LEFT EXHAUST SYSTEM	9954200-13	8.4	-24.2
	- RIGHT EXHAUST SYSTEM	9954200-14	8.4	-24.2
<b>79 - OIL</b>				
79-01-R	OIL COOLER - 10610R	0750635	5.5	-11.4
79-02-R	OIL PRESSURE SENSOR - P165-5281	0750635	0.2	-12.9
79-03-R	OIL TEMPERATURE SENSOR - S2335-1	0750635	0.2	-6.4

Figure 6-9 (Sheet 6)



## **7** AIRPLANE & SYSTEMS DESCRIPTIONS

**AIRPLANE & SYSTEMS  
DESCRIPTIONS**

# AIRPLANE AND SYSTEMS DESCRIPTION

## TABLE OF CONTENTS

	Page
Introduction .....	7-5
Airframe .....	7-5
Flight Controls .....	7-6
Trim Systems .....	7-7
Instrument Panel .....	7-10
Pilot Panel Layout .....	7-10
Center Panel Layout .....	7-11
Right Panel Layout .....	7-12
Center Pedestal Layout .....	7-12
Flight Instruments .....	7-15
Attitude Indicator .....	7-15
Airspeed Indicator .....	7-16
Altimeter .....	7-16
Horizontal Situation Indicator .....	7-17
Vertical Speed Indicator .....	7-18
Ground Control .....	7-19
Wing Flap System .....	7-20
Landing Gear System .....	7-21
Baggage Compartment .....	7-21
Seats .....	7-21
Integrated Seat Belt/Shoulder Harness .....	7-22
Entrance Doors And Cabin Windows .....	7-25
Control Locks .....	7-27
Engine .....	7-27
Engine Controls .....	7-27
Engine Instruments .....	7-28

(Continued Next Page)

**TABLE OF CONTENTS** (Continued)

	Page
New Engine Break In And Operation .....	7-34
Engine Lubrication System .....	7-34
Ignition And Starter System .....	7-35
Air Induction System .....	7-35
Exhaust System .....	7-36
Fuel Injection System .....	7-36
Cooling System .....	7-37
Propeller .....	7-37
Fuel System .....	7-38
Fuel Distribution .....	7-40
Fuel Indicating System .....	7-40
Auxiliary Fuel Pump Operation .....	7-43
Fuel Return System .....	7-43
Fuel Venting .....	7-44
Fuel Selector Valve .....	7-44
Fuel Drain Valves .....	7-45
Brake System .....	7-46
Electrical System .....	7-46
G1000 Annunciator Panel .....	7-51
Master Switch .....	7-51
■ Standby Battery Switch .....	7-52
Avionics Switch .....	7-52
Electrical System Monitoring And Annunciations .....	7-53
Ammeter .....	7-53
Low Voltage Annunciation .....	7-54
Circuit Breakers And Fuses .....	7-55
External Power Receptacle .....	7-55
Lighting Systems .....	7-57
Exterior Lighting .....	7-57
Interior Lighting .....	7-58
Cabin Heating, Ventilating And Defrosting System .....	7-60

(Continued Next Page)



**TABLE OF CONTENTS** (Continued)

	Page
Pitot-Static System And Instruments .....	7-62
Vacuum System And Instruments .....	7-63
Attitude Indicator .....	7-63
Vacuum Indicator .....	7-63
Low Vacuum Annunciation .....	7-63
Clock/O.A.T. Indicator .....	7-65
Stall Warning System .....	7-65
Standard Avionics .....	7-66
GDU 1040 Color Display .....	7-66
GMA 1347 Audio Panel .....	7-66
GIA 63 Integrated Avionics Unit .....	7-67
GRS 77 Attitude Heading Reference System (AHRS) and GMU 44 Magnetometer .....	7-67
GDC 74A Air Data Computer .....	7-67
GEA 71 Engine Monitor .....	7-67
GTX 33 Transponder .....	7-67
GDL 69A XM Weather and Radio Data Link .....	7-68
Bendix/King KAP 140 2 Axis Autopilot .....	7-68
L3 Communications WX-500 Stormscope .....	7-68
Avionics Support Equipment .....	7-69
Avionics Cooling Fans .....	7-69
Antennas .....	7-70
Microphone And Headset Installations .....	7-70
Auxiliary Audio Input Jack .....	7-71
12V Power Outlet .....	7-73
Static Dischargers .....	7-73
Cabin Features .....	7-74
Emergency Locator Transmitter (ELT) .....	7-74
Cabin Fire Extinguisher .....	7-74
Carbon Monoxide Detection System (if installed) ...	7-75/7-76



## INTRODUCTION

This section provides description and operation of the airplane and its systems. Some equipment described herein is optional and may not be installed in the airplane. Refer to the Supplements, Section 9 for details of other optional systems and equipment.

## AIRFRAME

The airplane is an all metal, four-place, high wing, single engine airplane equipped with tricycle landing gear and is designed for general utility purposes.

The construction of the fuselage is a conventional formed sheet metal bulkhead, stringer, and skin design referred to as semimonocoque. Major items of structure are the front and rear carry through spars to which the wings are attached, a bulkhead and forgings for main landing gear attachment at the base of the rear door posts, and a bulkhead with attach fittings at the base of the forward door posts for the lower attachment of the wing struts. Four engine mount stringers are also attached to the forward door posts and extend forward to the firewall.

The externally braced wings, containing integral fuel tanks, are constructed of a front and rear spar with formed sheet metal ribs, doublers, and stringers. The entire structure is covered with aluminum skin. The front spars are equipped with wing-to-fuselage and wing-to-strut attach fittings. The aft spars are equipped with wing-to-fuselage attach fittings, and are partial span spars. Conventional hinged ailerons and single slot type flaps are attached to the trailing edge of the wings. The ailerons are constructed of a forward spar containing balance weights, formed sheet metal ribs and "V" type corrugated aluminum skin joined together at the trailing edge. The flaps are constructed basically the same as the ailerons, with the exception of the balance weights and the addition of a formed sheet metal leading edge section.

The empennage (tail assembly) consists of a conventional vertical stabilizer, rudder, horizontal stabilizer, and elevator. The vertical stabilizer consists of a forward and aft spar, formed sheet metal ribs and reinforcements, four skin panels, formed leading edge skins and a dorsal fin.

(Continued Next Page)

## **AIRFRAME** (Continued)

The rudder is constructed of a forward and aft spar, formed sheet metal ribs and reinforcements, and a wrap-around skin panel. The top of the rudder incorporates a leading edge extension which contains a balance weight.

The horizontal stabilizer is constructed of a forward and aft spar, ribs and stiffeners, center upper and lower skin panels and two, left and two right wrap-around skin panels which also form the leading edges. The horizontal stabilizer also contains the elevator trim tab actuator.

Construction of the elevator consists of formed leading edge skins, a forward spar, ribs, torque tube and bellcrank, left upper and lower "V" type corrugated skins, and right upper and lower "V" type corrugated skins incorporating a trailing edge cut-out for the trim tab. Both elevator tip leading edge extensions incorporate balance weights. The elevator trim tab consists of a spar, rib, and upper and lower "V" type corrugated skins.

## **FLIGHT CONTROLS**

The airplane's flight control system (refer to Figure 7-1) consists of conventional aileron, rudder, and elevator control surfaces. The control surfaces are manually operated through mechanical linkage using a control wheel for the ailerons and elevator, and rudder/brake pedals for the rudder. The elevator control system is equipped with downsprings which provide improved stability in flight.

(Continued Next Page)

## **FLIGHT CONTROLS** (Continued)

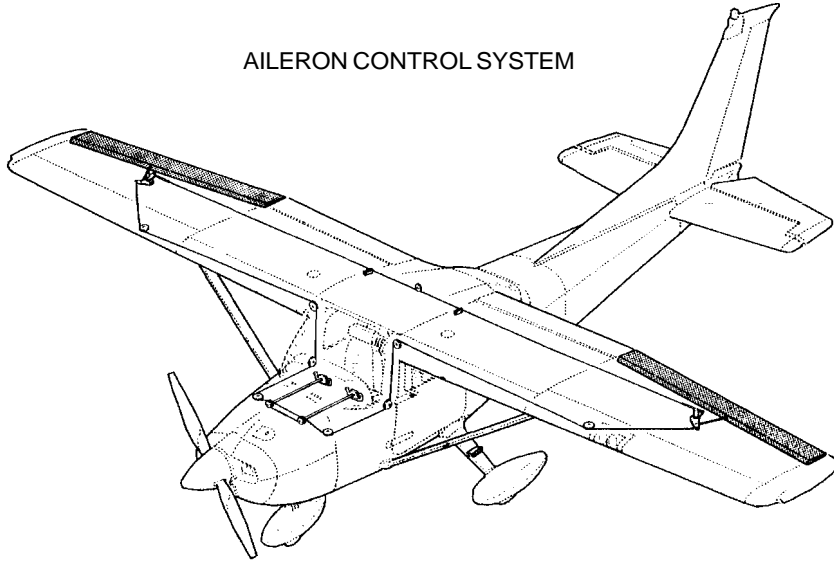
### **TRIM SYSTEMS**

A manually operated rudder and elevator trim is provided (refer to Figure 7-1). The rudder is trimmed through a bungee connected to the rudder control system and a trim control wheel mounted on the control pedestal. This is accomplished by rotating the horizontally mounted trim control wheel either left or right to the desired trim position. Rotating the trim wheel to the right will trim nose-right; conversely, rotating it to the left will trim nose-left. The elevator is trimmed through the elevator trim tab by utilizing the vertically mounted trim control wheel. Forward rotation of the trim wheel will trim nose-down, conversely, aft rotation will trim nose-up.

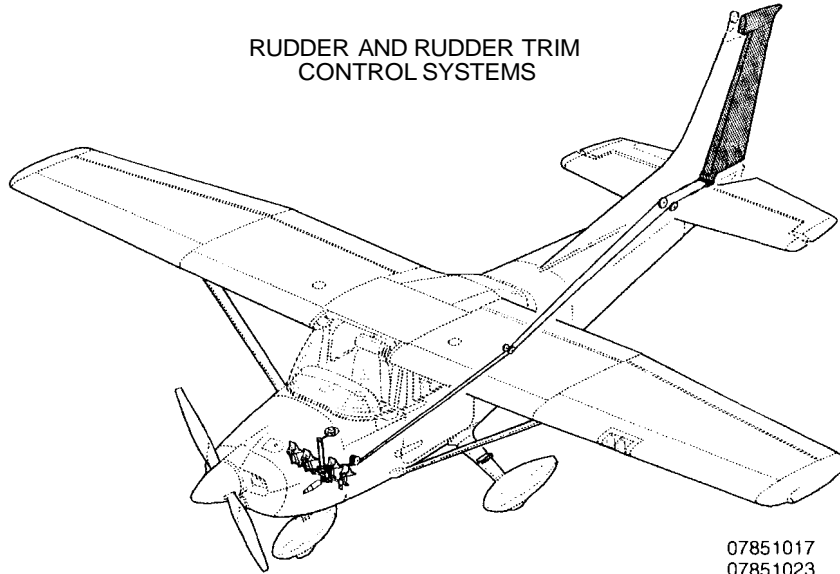
(Continued Next Page)

## FLIGHT CONTROLS AND TRIM SYSTEMS

AILERON CONTROL SYSTEM



RUDDER AND RUDDER TRIM CONTROL SYSTEMS

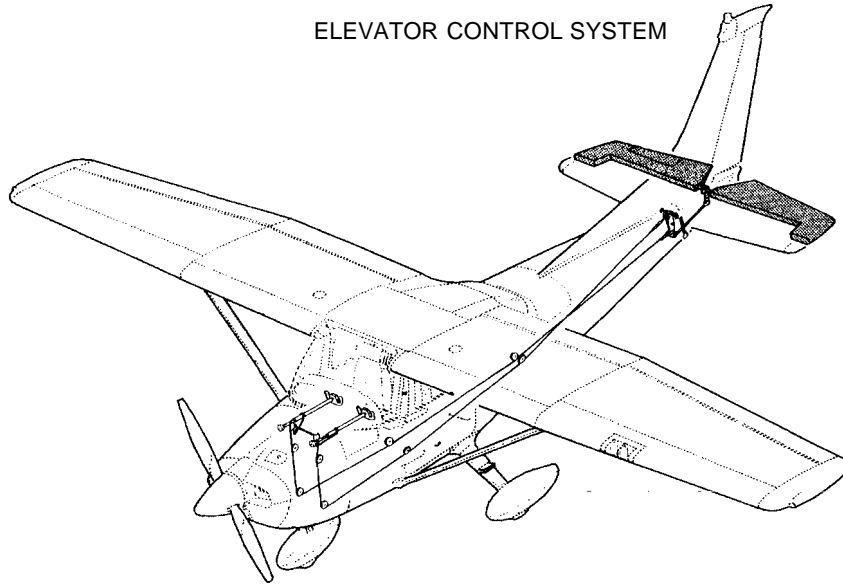


07851017  
07851023

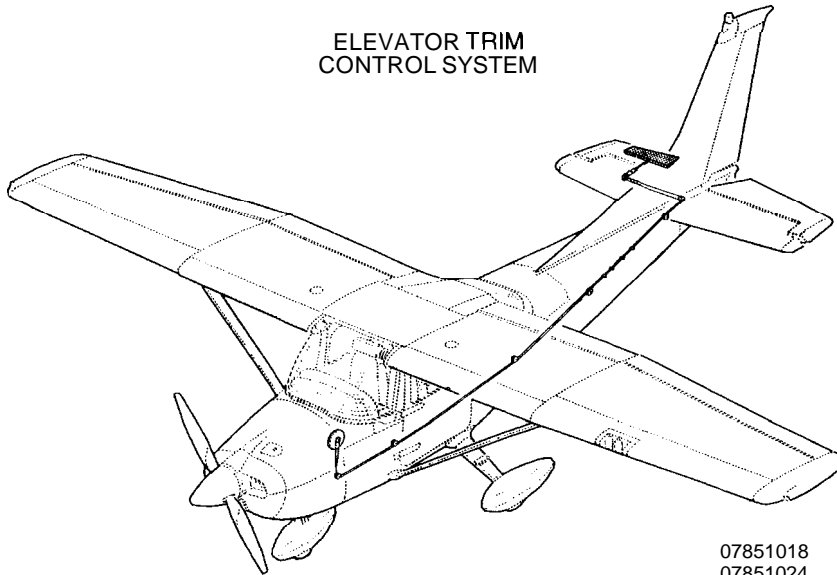
Figure 7-1 (Sheet 1 of 2)

## FLIGHT CONTROLS AND TRIM SYSTEMS

ELEVATOR CONTROL SYSTEM



ELEVATOR TRIM  
CONTROL SYSTEM



07851018  
07851024

Figure 7-1 (Sheet 2)

## **INSTRUMENT PANEL**

The instrument panel (refer to Figure 7-2) is of all metal construction and is installed in sections so equipment can be easily removed for maintenance. The glareshield, above and projecting aft from the instrument panel, limits undesirable reflections on the windshield from lighted equipment and displays mounted in the instrument panel.

The Nav III instrument panel contains the Garmin GDU 1040 Primary Flight (PFD) and Multifunction (MFD) Displays and the Garmin GMA 1347 Audio Panel. For specific details regarding the instruments, switches, circuit breakers and controls on the instrument panel, refer to the related topics in this section.

### **PILOT PANEL LAYOUT**

The GDU 1040 Primary Flight Display (PFD), centered on the instrument panel in front of the pilot, shows the primary flight instruments during normal operation. During engine start, reversionary operation (MFD failure) or when the DISPLAY BACKUP switch is selected, the Engine Indication System (EIS) is shown on the PFD. Refer to the Garmin G1000™ Cockpit Reference Guide for specific operating information.

The Standby Battery (STBY BAT) switch is found at the upper left corner of the pilot instrument panel on an internally lighted sub-panel. The switch positions (ARM/OFF/TEST) select the standby battery operating modes. The rocker-type MASTER and AVIONICS switches are found immediately below the standby battery switch.

The controls for adjusting instrument panel, equipment, and pedestal lighting are found together on the sub-panel below the MASTER and AVIONICS switches. See the INTERNAL LIGHTING paragraphs of this section for more information.

Switches for the airplane electrical systems and equipment are found on an internally lighted sub-panel found below the lower left corner of the PFD. Each switch is labeled for function and is ON when the handle is in the up position. See the ELECTRICAL EQUIPMENT descriptions in this section for further information.

(Continued Next Page)



## **INSTRUMENT PANEL** (Continued)

### **PILOT PANEL LAYOUT** (Continued)

The circuit breaker panel is found along the lower edge of the pilot's instrument panel below the electrical equipment switch panel and pilot control wheel column. Each circuit breaker is identified for the equipment or function it controls and for the bus from which it receives power. Lighting for this sub-panel is controlled using the SW/CB PANELS dimmer control. See the ELECTRICAL EQUIPMENT descriptions in this section for further information.

### **CENTER PANEL LAYOUT**

The Garmin GMA 1347 Audio Panel is found on the upper half of the center instrument panel (immediately to the right of the PFD). A pushbutton switch labeled " DISPLAY BACKUP" to manually select display reversion mode is found on the lower face of the GMA 1347. Refer to the GMA 1347 Pilot's Guide for operating information.

The GDU 1040 Multifunction Display (MFD) is found on the upper center panel to the right of the GMA 1347. The MFD depicts Engine Indication System information along the left side of the display and shows navigation, terrain, lightning and traffic data on the moving map. Flight management or display configuration information can be shown on the MFD in place of the moving map pages. Refer to the Garmin G1000™ GPS/MFD Pilot's Guide for operating information.

The standby instrument cluster is in the center instrument panel below the GMA 1347 Audio Panel. A conventional (mechanical) airspeed indicator and a sensitive aneroid altimeter are on each side of the vacuum-powered attitude indicator. The pitot-static instruments share the airplane pitot head and static ports with the GDC 74A Air Data Computer. The attitude indicator features a low vacuum "flag" to provide immediate warning of vacuum system failure.

(Continued Next Page)

## **INSTRUMENT PANEL** (Continued)

### **CENTER PANEL LAYOUT** (Continued)

The Bendix/King KAP 140 2 Axis Autopilot with Altitude Preselect is found on the center panel below the standby instruments. A DC electric powered turn coordinator, installed forward of the instrument panel and not visible to the pilot, provides a roll rate signal to the KAP 140. The KAP 140 receives NAV, HDG, and analog roll steering inputs from the G1000 system. KAP 140 ROL, VS, and ALT modes operate independently from the G1000. Refer to Section 9, Supplement 3 for operation of the Bendix/King KAP 140 2 Axis Autopilot.

The engine controls are found on the lower center instrument panel below the KAP 140 Autopilot. The controls are conventional push-pull-type controls and include throttle, prop RPM and mixture. See ENGINE description in this section for operating information.

The Alternate Static Air valve is found adjacent to the throttle control. Refer to the PITOT-STATIC SYSTEM AND INSTRUMENTS description in this section for operating information.

The wing flap control and indicator is found at the lower right side of the center panel. Refer to the WING FLAP SYSTEM description in this section for operating information.

### **RIGHT PANEL LAYOUT**

The Emergency Locator Transmitter (ELT) mode switch (ON/AUTO/RESET) is positioned at the upper inboard corner of the right panel adjacent to the MFD. Refer to the EMERGENCY LOCATOR TRANSMITTER description in this section for operating information.

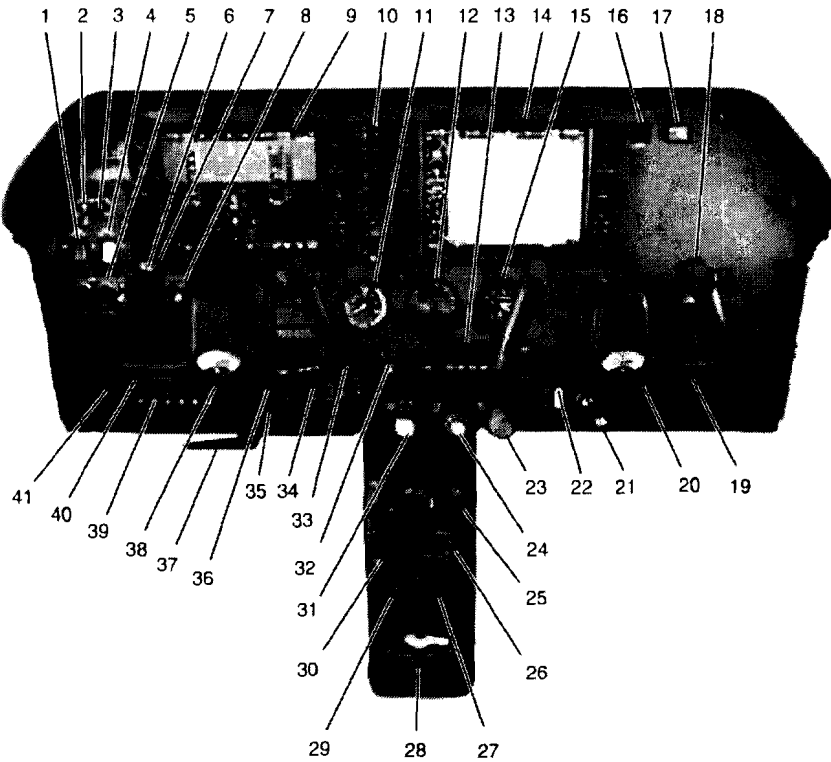
The Hour (Hobbs) meter is found to the right of the ELT switch and records engine operating time (when oil pressure is greater than 20 PSI) for maintenance purposes. Refer to the ENGINE INSTRUMENTS description in this section for further information.

### **CENTER PEDESTAL LAYOUT**

The center pedestal, located below the center panel, contains the elevator and rudder trim control wheels, trim position indicators, cowl flap control lever, 12V power outlet, aux audio input jack and a bracket for the microphone. The fuel selector valve handle is located at the base of the pedestal.

### INSTRUMENT PANEL

B3744



0714P1090

Figure 7-2 (Sheet 1 of 2)

## INSTRUMENT PANEL

1. MASTER Switch (ALT and BAT)
2. STBY BATT Switch
3. STBY BATT Test Annunciator
4. AVIONICS Switch (BUS 1 and BUS 2)
5. DIMMING Panel
6. Electric Elevator Trim And Autopilot/  
Electric Elevator Trim Disengage Switches
7. Microphone Switch
8. Electrical Switches
9. GDU 1040 Primary Flight Display
10. GMA 1437 Audio Panel
11. Standby Airspeed Indicator
12. Standby Attitude Indicator
13. Autopilot Control Unit
14. GDU 1040 Multi-Function Display
15. Standby Altimeter
16. ELT Remote Switch/Annunciator
17. Flight Hour Recorder
18. Microphone Switch
19. Defrost Control
20. Cabin Heat Control
21. Cabin Air Control
22. Wing Flap Switch Lever And Position  
Indicator
23. Mixture Control
24. Propeller Control
25. Rudder Trim Control Wheel And  
Position Indicator
26. Cowl Flap Control Lever
27. Aux Audio Input Jack
28. Fuel Selector Valve
29. 12V/10A Power Outlet
30. Elevator Trim Control Wheel And  
Position Indicator
31. Throttle (With Friction Lock)
32. ALT Static Air Valve Control
33. Essential System (ESS) Bus Circuit Breaker Panel
34. Avionics (AVN) BUS 1 Circuit Breaker Panel
35. Avionics (AVN) BUS 2 Circuit Breaker Panel
36. Yoke Mounted Map Light
37. Parking Brake Handle
38. Crossfeed (X-Feed) BUS Circuit Breaker Panel
39. Electrical BUS 2
40. Electrical BUS 1
41. Magnetos Switch

Figure 7-2 (Sheet 2)

## FLIGHT INSTRUMENTS

The G1000 Integrated Cockpit System primary flight instrument indications are shown on the GDU 1040 Primary Flight Display (PFD). The primary flight instruments are arranged on the PFD in the basic "T" configuration. The attitude indicator (AI) and horizontal situation indicator (HSI) are centered vertically on the PFD and are conventional in appearance and operation. Vertical tape-style (scrolling scale) indicators with fixed pointers and digital displays show airspeed, altitude, and vertical speed. The vertical indicators take the place of analog indicators with a fixed circular scale and rotating pointer.

Knobs, knob sets (two knobs on a common shaft) and membrane type push button switches, found on the bezel surrounding each GDU 1040 display, control COM, NAV, XPDR, and GPS avionics, set BARO (barometric pressure), CRS (course), and HDG (heading), and work various flight management functions. Some push button switches are dedicated to certain functions (keys) while other switches have functions defined by software (softkeys). A softkey may perform various operations or functions at various times based on software definition. Softkeys are found along the lower bezel of the GDU 1040 displays.

### ATTITUDE INDICATOR

The G1000 attitude indicator is shown on the upper center of the PFD. The attitude indication data is provided by the GRS 77 Attitude and Heading Reference (AHRS) unit. The G1000 attitude indicator provides a horizon line that is the full width of the GDU 1040 display.

The roll index scale is conventional with 10" graduations to 30" and then 15" graduations to 60" of roll. The roll pointer is slaved to the airplane symbol. The pitch index scale is graduated in 5" increments with every 10° of pitch labeled. If pitch limits are exceeded in either the nose-up or nose-down direction, red warning chevrons will appear on the indicator to point the way back to level flight. A small white trapezoid located below the roll pointer moves laterally left and right to provide the slip-skid information previously supplied by the skid indicator ball. The trapezoid should be centered below the roll pointer for coordinated turns. The standby (vacuum) attitude indicator is found on the lower center instrument panel.

(Continued Next Page)

## **FLIGHT INSTRUMENTS** (Continued)

### **AIRSPPEED INDICATOR**

The G1000 vertical tape airspeed indicator is shown along the upper left side of the PFD. The airspeed indication data is provided by the GDC 74A Air Data Computer unit. Colored arcs are provided to indicate the maximum speed, high cruise speed caution range, normal operating range, full wing flap operating range and low airspeed awareness band. Calculated true airspeed is displayed in a window at the bottom edge of the airspeed tape.

The standby (pneumatic) airspeed indicator is found on the lower center instrument panel.

### **ALTIMETER**

The primary altitude indicator (altimeter) is found along the right side of the attitude indicator on the GDU 1040 Primary Flight Display. The altitude indication data is provided by the GDC 74A Air Data Computer unit. The local barometric pressure is set using the BARO knob on the GDU 1040 displays. The GDU 1040 BARO setting has no effect on the KAP 140 Autopilot BARO setting.

A cyan selectable altitude reference pointer ("bug") is displayed on the altimeter tape and is set using the ALT SEL knob on the GDU 1040 displays. The altitude bug set-point is shown in a window at the top edge of the altimeter. The ALT SEL knob has no effect on the KAP 140 Autopilot altitude preselect or altitude hold functions.

### **NOTE**

The KAP 140 Autopilot Altitude Preselect, Altitude Hold and BARO settings are completely independent of the G1000 ALT SEL and BARO settings.

The standby (aneroid) sensitive altimeter is found on the center instrument panel.

(Continued Next Page)

## **FLIGHT INSTRUMENTS** (Continued)

### **HORIZONTAL SITUATION INDICATOR**

The horizontal situation indicator (HSI) is found along the lower center of the GDU 1040 Primary Flight Display. The heading indication data is provided by the GRS 77 Attitude and Heading Reference (AHRS) and GMU 44 Magnetometer units. The HSI combines a stabilized magnetic direction indicator (compass card) with selectable navigation deviation indicators for GPS or VHF navigation. The HSI is conventional in appearance and operation.

Magnetic heading is shown numerically in a window centered above the heading index (lubber line) at the top of the HSI. Reference index marks are provided at 45" intervals around the compass card. A circular segment scale below the heading window at the top of the HSI shows half and standard rates of turn based on the length of the magenta turn vector.

The cyan HSI heading reference pointer ("bug") is set using the HDG knob on the GDU 1040 display. The selected heading is shown digitally in a window above the upper LH 45" index mark. The heading window will disappear approximately 3 seconds after the HDG knob stops turning. The selected heading will provide the control input to the Bendix/King KAP 140 when the Autopilot is engaged in HDG mode.

The CDI navigation source shown on the HSI is set using the CDI softkey to select from GPS, NAV 1 or NAV 2 inputs. The course reference pointer is set using the CRS knob on the GDU 1040 display. The selected course is shown digitally in a window above the upper RH 45" index mark. The course window will disappear approximately 3 seconds after the CRS knob stops turning. The selected navigation source will provide control input to the Bendix/King KAP 140 when the autopilot is engaged in NAV, APR or REV mode and is receiving a navigation signal from the selected GPS or VHF NAV radios.

(Continued Next Page)

## FLIGHT INSTRUMENTS (Continued)

### HORIZONTAL SITUATION INDICATOR (Continued)

#### WARNING

WHEN THE KAP 140 AUTOPILOT IS ENGAGED IN NAV, APR OR REV OPERATING MODES, IF THE HSI NAVIGATION SOURCE IS CHANGED FROM GPS TO **NAV1**, AUTOMATICALLY OR MANUALLY (USING THE CDI SOFTKEY), OR MANUALLY FROM NAV2 TO GPS, THE CHANGE WILL INTERRUPT THE NAVIGATION SIGNAL TO THE AUTOPILOT AND WILL CAUSE THE AUTOPILOT TO REVERT TO ROL MODE OPERATION. NO WARNING CHIME OR PFD **ANNUNCIATION** WILL BE PROVIDED. THE PREVIOUSLY-SELECTED MODE SYMBOL SHOWN ON THE AUTOPILOT DISPLAY WILL BE FLASHING TO SHOW THE REVERSION TO ROL MODE OPERATION. IN ROL MODE, THE AUTOPILOT WILL ONLY KEEP THE WINGS LEVEL AND WILL NOT CORRECT THE AIRPLANE HEADING OR COURSE. SET THE HDG BUG TO THE CORRECT HEADING AND SELECT **THE** CORRECT NAVIGATION SOURCE ON THE HSI USING THE CDI **SOFTKEY** BEFORE ENGAGING THE AUTOPILOT IN ANY OTHER OPERATING MODE.

### VERTICAL SPEED INDICATOR

The vertical speed indicator (VSI) tape is found on the right side of the altimeter display along upper right side of the GDU 1040 Primary Flight Display. The vertical speed pointer moves up and down the fixed VSI scale and shows the rate of climb or descent in digits inside the pointer. The VSI tape has a notch on the right edge at the 0 feet/min index for reference. Rate of descent is shown with a negative sign in front of the digits. Vertical speed must exceed 100 feet/min in climb or descent before digits will appear in the VSI pointer.



## GROUND CONTROL

Effective ground control while taxiing is accomplished through nosewheel steering by using the rudder pedals; left rudder pedal to steer left and right rudder pedal to steer right. When a rudder pedal is depressed, a spring loaded steering bungee (which is connected to the nose gear and to the rudder bars) will turn the nosewheel through an arc of approximately 11" each side of center. By applying either left or right brake, the degree of turn may be increased up to 29" each side of center.

Moving the airplane by hand is most easily accomplished by attaching a tow bar to the nose gear strut. If a tow bar is not available, or pushing is required, use the wing struts as push points. Do not use the vertical or horizontal surfaces to move the airplane. If the airplane is to be towed by vehicle, never turn the nosewheel more than 29° either side of center or structural damage to the nose gear could result.

The minimum turning radius of the airplane, using differential braking and nosewheel steering during taxi, is approximately 27 feet. To obtain a minimum radius turn during ground handling, the airplane may be rotated around either main landing gear by pressing down on a tailcone bulkhead just forward of the horizontal stabilizer to raise the nosewheel off the ground. Care should be exercised to ensure that pressure is exerted only on the bulkhead area and not on skin between the bulkheads. Pressing down on the horizontal stabilizer to raise the nosewheel off the ground is not recommended.

## WING FLAP SYSTEM

The single slot type wing flaps (refer to Figure 7-3), are extended or retracted by positioning the wing flap switch lever on the instrument panel to the desired flap deflection position. The switch lever is moved up or down in a slotted panel that provides mechanical stops at the 10" and 20" positions. To change flap setting, the flap lever is moved to the right to clear mechanical stops at the 10" and 20" positions. A scale and pointer to the left of the flap switch indicates flap travel in degrees. The wing flap system circuit is protected by a 10-ampere circuit breaker, labeled FLAP, on the left side of the control panel.

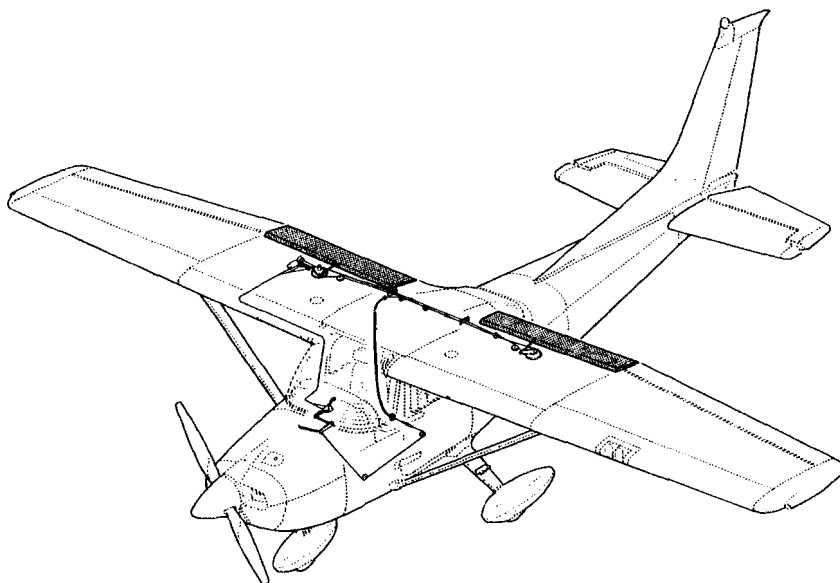


Figure 7-3

## **LANDING GEAR SYSTEM**

The landing gear is of the tricycle type, with a steerable nosewheel and two main wheels. Wheel fairings are optional for both the main wheels and nosewheel. Shock absorption is provided by the tubular spring steel main landing gear struts and the airfoil nose gear shock strut. Each main gear wheel is equipped with a hydraulically- actuated disc type brake on the inboard side of each wheel.

## **BAGGAGE COMPARTMENT**

The baggage compartment consists of the area from the back of the rear passenger seats to the aft cabin bulkhead. Access to the baggage compartment is gained through a lockable baggage door on the left side of the airplane, or from within the airplane cabin. A baggage net with tiedown straps is provided for securing baggage and is attached by tying the straps to tiedown rings provided in the airplane. For baggage area and door dimensions, refer to Section 6.

## **SEATS**

The seating arrangement consists of two vertically adjusting crew seats for the pilot and front seat passenger, and an infinitely adjustable split back bench seat for rear seat passengers.

Seats used for the pilot and front seat passenger are adjustable fore and aft, and up and down. Additionally, the angle of the seat back is infinitely adjustable.

(Continued Next Page)

## **SEATS** (Continued)

Fore and aft adjustment is made using the handle located below the center of the seat frame. To position the seat, lift the handle, slide the seat into position, release the handle and check that the seat is locked in place. To adjust the height of the seat, rotate the large crank under the right hand corner of the seat until a comfortable height is obtained. To adjust the seat back angle, pull up on the release button, located in center front of seat, just under the seat bottom, position the seat back to the desired angle, and release the button. When the seat is not occupied, the seat back will automatically fold forward whenever the release button is pulled up.

The rear passenger seat consists of a fixed, one piece seat bottom and an infinitely adjustable split back. Seat back controls are located beneath each seat bottom and provide adjustment for each seat back. To adjust the seat back, raise the lever, position the seat back to the desired angle, release the lever and check that the back is locked in place.

Headrests are installed on both the front and rear seats. To adjust the headrest, apply enough pressure to it to raise or lower it to the desired level.

## **INTEGRATED SEAT BELT/SHOULDER HARNESS**

All seat positions are equipped with integrated seat belts/shoulder harness assemblies (refer to Figure 7-4). The design incorporates an overhead inertia reel for the shoulder portion, and a retractor assembly for the lap portion of the belt. This design allows for complete freedom of movement of the upper torso area while providing restraint in the lap belt area. In the event of a sudden deceleration, reels lock up to provide positive restraint for the user.

In the front seats, the inertia reels are located on the centerline of the upper cabin area. In the rear seats, the inertia reels are located outboard of each passenger in the upper cabin.

(Continued Next Page)

## **INTEGRATED SEAT BELT/SHOULDER HARNESS**

(Continued)

To use the integrated seat belt/shoulder harness, grasp the link with one hand, and, in a single motion, extend the assembly and insert into the buckle. Positive locking has occurred when a distinctive "snap" sound is heard.

Proper locking of the lap belt can be verified by ensuring that the belts are allowed to retract into the retractors and the lap belt is snug and low on the waist as worn normally during flight. No more than one additional inch of belt should be able to be pulled out of the retractor once the lap belt is in place on the occupant. If more than one additional inch of belt can be pulled out of the retractor, the occupant is too small for the installed restraint system and the seat should not be occupied until the occupant is properly restrained.

(Continued Next Page)

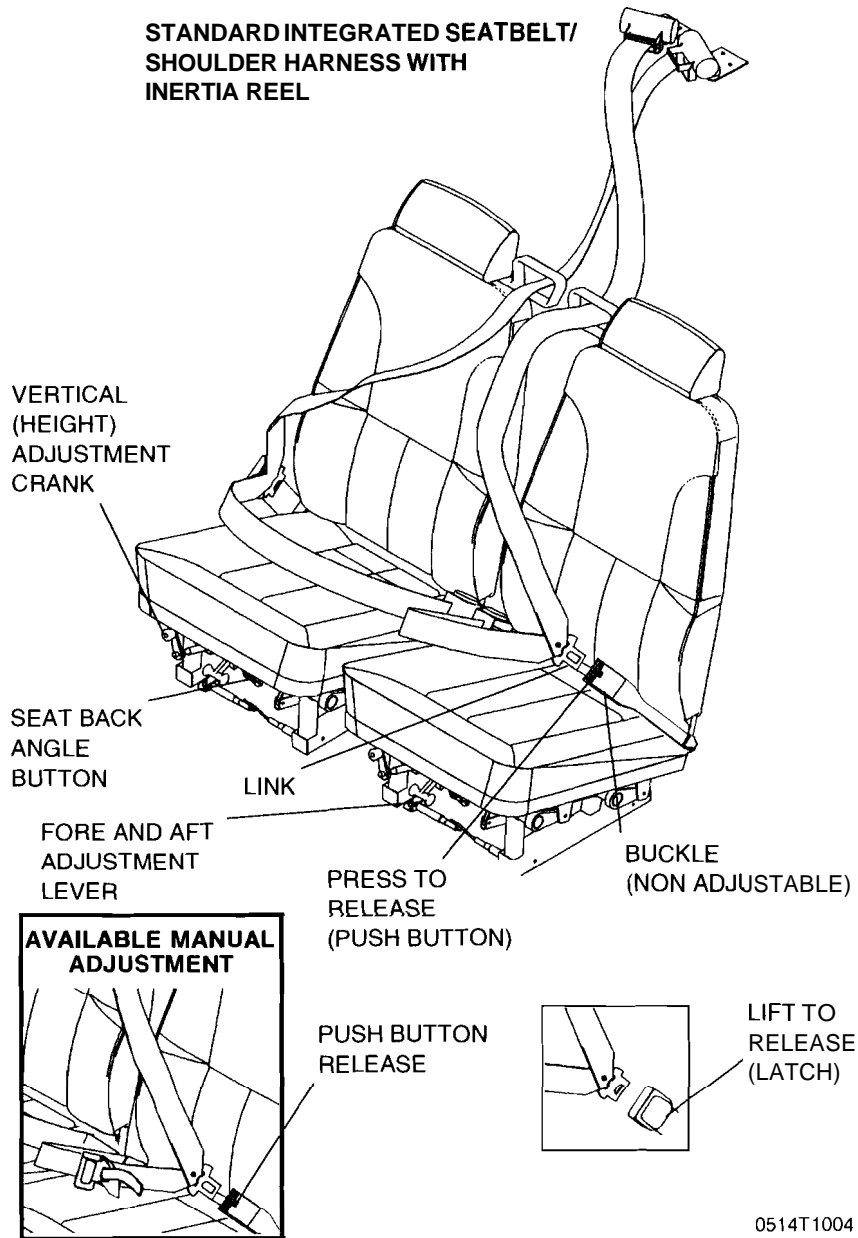


Figure 7-4

## **INTEGRATED SEAT BELT/SHOULDER HARNESS**

(Continued)

Removal is accomplished by lifting the release mechanism on the buckle or by pressing the release button on the buckle and pulling out and up on the harness. Spring tension on the inertia reel will automatically stow the harness.

A manually adjustable seat belt/shoulder harness assembly is available for all seats.

To use the manually adjustable seat belt/shoulder harness, fasten and adjust the seat belt/shoulder harness first. Lengthen the seat belt as required by pulling on the release strap on the belt. Snap the connecting link firmly into the buckle, then adjust to length. A properly adjusted harness will permit the occupant to lean forward enough to sit erect, but prevent excessive forward movement and contact with objects during sudden deceleration. Also, the pilot must have the freedom to reach all controls easily.

Disconnecting the manually adjustable seat belt/shoulder harness is accomplished by pushing the button on the buckle to release the connecting link.

## **ENTRANCE DOORS AND CABIN WINDOWS**

Entry to, and exit from, the airplane is accomplished through either of two entry doors, one on each side of the cabin, at the front seat positions (refer to Section 6 for cabin and cabin door dimensions). The doors incorporate a recessed exterior door handle, a conventional interior door handle, a key operated door lock (left door only), a door stop mechanism, and openable windows in both the left and right doors.

### **NOTE**

The door latch design on this model requires that the outside door handle on the pilot and front passenger doors be extended out whenever the doors are open. When closing the door, do not attempt to push the door handle in until the door is fully shut.

(Continued Next Page)

## **ENTRANCE DOORS AND CABIN WINDOWS**

(Continued)

To open the doors from outside the airplane, utilize the recessed door handle near the aft edge of either door by grasping the forward edge of the handle and pulling outboard. To close or open the doors from inside the airplane, use the combination door handle and arm rest. The inside door handle has three positions and a placard at its base which reads OPEN, CLOSE, and LOCK. The handle is spring loaded to the CLOSE (up) position. When the door has been pulled shut and latched, lock it by rotating the door handle forward to the LOCK position (flush with the arm rest). When the handle is rotated to the LOCK position, an over center action will hold it in that position. Both cabin doors should be locked prior to flight, and should not be opened intentionally during flight.

### **NOTE**

Accidental opening of a cabin door in flight due to improper closing does not constitute a need to land the airplane. The best procedure is to set up the airplane in a trimmed condition at approximately 80 KIAS, momentarily shove the door outward slightly, and forcefully close and lock the door.

Exit from the airplane is accomplished by rotating the door handle from the LOCK position, past the CLOSE position, aft to the OPEN position and pushing the door open. To lock the airplane, lock the right cabin door with the inside handle, close the left cabin door, and using the ignition key, lock the door.

The left and right cabin doors are equipped with openable windows which are held in the closed position by a detent equipped latch on the lower edge of the window frame. To open the windows, rotate the latch upward. Each window is equipped with a spring-loaded retaining arm which will help rotate the window outward, and hold it there. If required, either window may be opened at any speed up to 175 KIAS. The rear side windows and rear windows are of the fixed type and cannot be opened.



## **CONTROL LOCKS**

A control lock is provided to lock the aileron and elevator control surfaces to prevent damage to these systems by wind buffeting while the airplane is parked. The lock consists of a shaped steel rod and flag. The flag identifies the control lock and cautions about its removal before starting the engine. To install the control lock, align the hole in the side of the pilot's control wheel shaft with the hole in the side of the shaft collar on the instrument panel and insert the rod into the aligned holes. Installation of the lock will secure the ailerons in a neutral position and the elevators in a slightly trailing edge down position. Proper installation of the lock will place the flag over the ignition switch. In areas where high or gusty winds occur, a control surface lock should be installed over the vertical stabilizer and rudder. The control lock and any other type of locking device should be removed prior to starting the engine.

## **ENGINE**

The airplane is powered by a horizontally opposed, six cylinder, overhead valve, air cooled, fuel injected engine with a wet sump lubrication system. The engine is a Lycoming Model IO-540-AB1A5 rated at 230 horsepower at 2400 RPM. Major accessories include a starter and belt driven alternator mounted on the front of the engine, and dual magnetos, vacuum pump, and a full flow oil filter mounted on the rear of the engine accessory case.

### **ENGINE CONTROLS**

Engine manifold pressure is set using the throttle control, a smooth black knob, which is located at the center of the instrument panel below the radios. The throttle control is configured so that the throttle is open in the forward position and closed in the full aft position. A friction lock located at the base of the throttle and is operated by rotating the lock clockwise to increase friction or counterclockwise to decrease it.

Engine speed is controlled by the propeller control. The propeller control is a fluted, blue knob located immediately to the right of the throttle control. This system is described under "Propeller" in this section.

(Continued Next Page)

## **ENGINE** (Continued)

### **ENGINE CONTROLS** (Continued)

The mixture control, mounted near the propeller control, is a red knob with raised points around the circumference and is equipped with a lock button in the end of the knob. The rich position is full forward, and full aft is the idle cutoff position. For small adjustments, the control may be moved forward by rotating the knob clockwise, and aft by rotating the knob counterclockwise. For rapid or large adjustments, the knob may be moved forward or aft by depressing the lock button in the end of the control, and then positioning the control as desired.

### **ENGINE INSTRUMENTS**

The G1000 Engine Indicating System (EIS) provides graphical indicators and numeric values for engine, fuel, and electrical system parameters to the pilot. The EIS is shown in a vertical strip on the left side of the PFD during engine starts and on the MFD during normal operation. If either the MFD or PFD fails during flight, the EIS is shown on the remaining display.

The EIS consists of three pages that are selected using the ENGINE softkey. The ENGINE page provides indicators for Manifold Pressure, Tachometer, Fuel Flow, Oil Pressure, Oil Temperature, Cylinder Head Temperature (CHT), Exhaust Gas Temperature (EGT), Fuel Quantity, Electrical Bus Voltages, and Battery Currents. When the ENGINE softkey is pressed, the LEAN and SYSTEM softkeys appear adjacent to the ENGINE softkey. The LEAN page provides simultaneous indicators for CHT and EGT on all cylinders to be used for adjusting ("leaning") the fuel/air mixture. The SYSTEM page provides numerical values for parameters on the ENGINE page that are shown as indicators only. The SYSTEM page also provides an indicator for vacuum (VAC) and a digital value for fuel used (GAL USED).

The GEA-71 Engine and Airframe Unit, located forward of the instrument panel, receives signals from the engine/system sensors for the parameters that are being monitored. The GEA-71 provides data to the EIS, which displays the data for the ENGINE page described below.

(Continued Next Page)

## **ENGINE** (Continued)

### MANIFOLD PRESSURE

Manifold Pressure is shown at the top of all EIS pages. The manifold pressure indicator uses a circular scale and moving pointer with a digital value. The pointer moves through a range of 10 to 35 in Hg. The digital manifold pressure value is shown in white numerals below the pointer.

An absolute pressure transducer, located between the firewall and the instrument panel, provides a signal to the GEA-71 Engine and Airframe Unit which processes and outputs the data to the EIS. A red X through the Manifold Pressure display shows that the indicating system is inoperative.

### RPM (TACHOMETER)

Engine speed (RPM) is shown by the tachometer indicator, found on all EIS pages below the Manifold Pressure indicator. The tachometer indicator uses a circular scale with moving pointer and a digital value. The pointer moves through a range from 0 to 2700 RPM. The numerical RPM value is displayed in increments of 10 RPM in white numerals below the pointer.

The normal engine speed operating limit (red line) is 2400 RPM. When engine speed is 2472 RPM or more, the pointer, digital value, and label (RPM) turn red to show engine speed is more than the limit. The digital value and label (RPM) will flash. The engine speed (tachometer) is displayed in the same configuration and location on the LEAN and SYSTEM pages. If engine speed becomes 2472 RPM or more while on the LEAN or SYSTEM page, the display will return to the ENGINE page.

A speed sensor, mounted on the engine tachometer drive accessory pad, provides a digital signal to the GEA-71 Engine and Airframe Unit which processes and outputs the RPM data to the EIS. A red X through the RPM indicator shows the indicating system is inoperative.

(Continued Next Page)

## **ENGINE** (Continued)

### FUEL FLOW

Fuel flow is displayed on the ENGINE page by the FFLOW GPH horizontal indicator. The indicator range is from 0 to 22 GPH with 2 GPH graduations, with a green arc from 0 to 15 GPH. A white pointer indicates the measured fuel flow. A digital value for FFLOW GPH is included on both the EIS LEAN and SYSTEM pages.

The fuel flow transducer is located in the engine fuel injection system between the fuel/air control unit (servo) and the fuel distribution manifold (flow divider). The transducer provides a digital signal to the GEA-71 for display on the EIS. A red X through the indicator means the indicating system is inoperative.

### OIL PRESSURE

Engine oil pressure is shown on the ENGINE page by the OIL PRES horizontal indicator. The indicator range is 0 to 120 PSI with a red arc from 0 to 20 PSI, a green arc from 50 to 90 PSI (normal operating range) and a red arc from 115 to 120 PSI. A white pointer indicates actual oil pressure. Oil pressure is shown numerically on the SYSTEM page.

When oil pressure is 0 to 20 PSI or 115 to 120 PSI, the pointer, digital value, and label (OIL PRES) will change to red to show that oil pressure is outside normal limits. If oil pressure exceeds either the upper or lower limit while on the LEAN or SYSTEM page, the EIS will return to the ENGINE page.

(Continued Next Page)

## ENGINE (Continued)

### OIL PRESSURE (Continued)

When the engine speed (RPM) is in the green arc and the oil temperature is in the green arc, the oil pressure should be in the green arc. If oil pressure is below the green arc or above the green arc, adjust the engine speed to maintain adequate oil pressure. When engine speed is at idle or near idle, the oil pressure indication must be above the lower red arc. With the engine at normal operating oil temperature, and engine speed at or close to idle, oil pressure below the green arc (but above the lower red arc) is acceptable.

In cold weather, the oil pressure will initially be high (close to the upper red arc when the engine is started). As the engine and oil warm up, the oil pressure will come down into the green arc.

The oil pressure transducer, connected to the engine forward oil pressure port, provides a signal to the GEA-71 that is processed and shown as oil temperature on the EIS. A separate low oil pressure switch causes an "OIL PRESSURE" annunciation on the PFD when oil pressure is 0 to 20 PSI. A red X through the oil pressure indicator means that the indicating system is inoperative.

(Continued Next Page)

## **ENGINE** (Continued)

### OIL TEMPERATURE

Engine oil temperature is displayed on the ENGINE page by the OIL TEMP horizontal indicator. The indicator range is from 75°F to 250°F with a green arc (normal operating range) from 100°F to 245°F and a red arc from 245°F to 250°F. A white pointer indicates actual oil temperature. Oil temperature is displayed numerically on the SYSTEM page.

When oil temperature is in the red band, 245°F to 250°F, the pointer and OIL TEMP turn red and flash to show oil temperature is higher than the limit. If oil temperature becomes hotter than 245°F while on the LEAN or SYSTEM page, the display will default to the ENGINE page.

The oil temperature sensor is installed in the engine oil filter adapter and provides a signal to the GEA-71 that is processed and shown as oil pressure on the EIS. A red X through the indicator shows that the indicating system is inoperative.

### CYLINDER HEAD TEMPERATURE

Cylinder head temperature is displayed on the ENGINE page on the CHT horizontal indicator. The gage range is from 100°F to 500°F, with a green arc from 200°F to 500°F and red line at 500°F. The white pointer indicates relative cylinder head temperature while the number inside of the pointer identifies the hottest cylinder head. If a CHT probe or wire failure occurs for the hottest CHT, the next hottest CHT will be displayed.

When the CHT is 500°F or hotter, the pointer will change to red and the CHT label will change to red and flash to show that the cylinder head temperature is greater than the limit. If cylinder head temperature becomes hotter than 500°F while on the LEAN or SYSTEM page, the EIS will return to the ENGINE page.

(Continued Next Page)

## ENGINE (Continued)

### CYLINDER HEAD TEMPERATURE (Continued)

The CHT for all six cylinders are displayed on the LEAN page. The cylinder with the hottest CHT is indicated by a cyan bar graph. The CHT for cylinder number three has been demonstrated to be the most critical, and operation with CHT 3 inoperative is not allowed. The LEAN page will show a red X over any cylinder that has a probe or wiring failure.

A thermocouple is installed in each cylinder head to provide the signal to the GEA-71 that is processed and shown as cylinder head temperature on the EIS.

### EXHAUST GAS TEMPERATURE

Exhaust gas temperature is displayed by the EGT horizontal indicator on the EIS. The indicator range is from 1100°F to 1500°F with graduations every 50°F. The white pointer indicates relative exhaust gas temperature with the number of the hottest cylinder displayed inside the pointer. If a cylinder EGT probe or wiring failure occurs for the hottest EGT, the next hottest EGT will be displayed.

The exhaust gas temperature for all six cylinders is shown on the LEAN page. The hottest cylinder is indicated by the cyan bar graph. The EGT for a particular cylinder may be shown by using the CYL SLCT softkey to select the desired cylinder. Automatic indication of the hottest cylinder will resume a short time after the CYL SLCT is last selected. The LEAN page will show a red X over a cylinder that has a probe or wiring failure.

A thermocouple in the exhaust pipe of each cylinder measures exhaust gas temperature and provides a voltage to the GEA-71 that is processed and shown as exhaust gas temperature on the EIS.

(Continued Next Page)

## **ENGINE** (Continued)

### **NEW ENGINE BREAK IN AND OPERATION**

The engine run-in was accomplished at the factory and is ready for the full range of use. It is, however, suggested that cruising be accomplished at 75% power as much as practicable until a total of 50 hours has accumulated or oil consumption has stabilized. This will ensure proper seating of the piston rings.

### **ENGINE LUBRICATION SYSTEM**

The engine utilizes a full pressure, wet sump type lubrication system with aviation grade oil as the lubricant. The capacity of the engine sump (located on the bottom of the engine) is nine quarts (one additional quart is contained in the engine oil filter). Oil is drawn from the sump through a filter screen on the end of a pickup tube to the engine-driven oil pump. Oil from the pump passes through a full-flow oil filter, a pressure relief valve at the rear of the right oil gallery, and a thermostatically controlled remote oil cooler. Oil from the remote cooler is then circulated to the left oil gallery and propeller governor. The engine parts are then lubricated by oil from the galleries. After lubricating the engine, the oil returns to the sump by gravity. The filter adapter in the full-flow filter is equipped with a bypass valve which will cause lubricating oil to bypass the filter in the event the filter becomes plugged, or the oil temperature is extremely cold.

An oil dipstick/filler tube is located on the upper left side of the engine case. The dipstick and oil filler tube are accessed through a door located on the left center portion of the upper engine cowling. The engine should not be operated on less than four quarts of oil. To minimize loss of oil through the breather, fill to eight quarts for normal flights of less than three hours. For extended flight, fill to nine quarts (dipstick indication only). For engine oil grade and specifications, refer to Section 8 of this handbook.

(Continued Next Page)



## ENGINE (Continued)

### **IGNITION AND STARTER SYSTEM**

Engine ignition is provided by two engine-driven magnetos, and two spark plugs in each cylinder. The right magneto fires the lower right and upper left spark plugs, and the left magneto fires the lower left and upper right spark plugs. Normal operation is conducted with both magnetos due to the more complete burning of the fuel/air mixture with dual ignition.

Ignition and starter operation is controlled by a rotary-type switch located on the left switch and control panel. The switch is labeled clockwise, OFF, R, L, BOTH, and START. The engine should be operated on both magnetos (BOTH position) except for magneto checks. The R and L positions are for checking purposes and emergency use only. When the switch is rotated to the START position, (with the MASTER switch in the ON position), the starter contactor is closed and the starter, now energized, will crank the engine. When the switch is released, it will automatically return to the BOTH position.

### **AIR INDUCTION SYSTEM**

The engine air induction system receives ram air through an intake on the lower front portion of the engine cowling. The intake is covered by an air filter which removes dust and other foreign matter from the induction air. Airflow passing through the filter enters an air box. The air box has one spring-loaded alternate air door. If the air induction filter should become blocked, suction created by the engine will open the door and draw unfiltered air from inside the lower cowl area. An open alternate air door will result in an approximate 10% power loss at full throttle. After passing through the air box, induction air enters a fuel/air control unit under the engine, and is then ducted to the engine cylinders through intake manifold tubes.

(Continued Next Page)

## **ENGINE** (Continued)

### **EXHAUST SYSTEM**

Exhaust gas from each cylinder passes through a riser or exhaust collector assembly (on the left or right side below the engine) to a muffler and overboard through a single tailpipe. Outside air is supplied to a shroud constructed around the outside of each muffler to form a heating chamber. The air heated by the muffler shrouds is then supplied to the cabin.

### **FUEL INJECTION SYSTEM**

The engine is equipped with a fuel injection system. The system is comprised of an engine-driven fuel pump, fuel/air control unit, fuel manifold, fuel flow indicator, and air-bleed type injector nozzles.

Fuel is delivered by the engine-driven fuel pump to the fuel/air control unit. The fuel/air control unit correctly proportions the fuel flow to the induction air flow. After passing through the control unit, induction air is delivered to the cylinders through the intake manifold tubes and metered fuel is delivered to a fuel manifold (flow divider). The fuel manifold, through spring tension on a diaphragm and valve, evenly distributes the fuel to an air-bleed type injector nozzle in the intake valve chamber of each cylinder. A turbine-type fuel flow transducer mounted between the fuel/air control unit and the fuel distribution unit produces a digital signal that displays fuel flow on the EIS pages.

(Continued Next Page)

## **ENGINE** (Continued)

### **COOLING SYSTEM**

Ram air for engine cooling enters through two intake openings in the front of the engine cowling. The cooling air is directed around the cylinders and other areas of the engine by baffling, and is then exhausted through an opening at the bottom aft edge of the cowling. The cowl flaps are mechanically operated from the cabin by means of the cowl flap control on the right side of the control pedestal.

The pedestal is labeled OPEN, COWL FLAPS, CLOSED. Before starting the engine, takeoff and high power operation, the cowl flap control should be placed in the OPEN position for maximum cooling. This is accomplished by moving the control to the right to clear a detent, then moving the control up to the OPEN position. Any time the control is repositioned, it must first be moved to the right. While in cruise flight, cowl flaps should be closed unless hot day conditions require them to be adjusted to keep the cylinder head temperature at approximately two-thirds of the normal operating range (green arc). During extended let-downs, it may be necessary to completely close the cowl flaps by pushing the cowl flap control down to the CLOSED position.

A winterization kit is available for the airplane. Details of this kit are presented in Section 9, Supplements.

### **PROPELLER**

The airplane has an all-metal, three-bladed, constant speed, governor regulated propeller. A setting introduced into the governor with the propeller control establishes the propeller speed, and thus the engine speed to be maintained. The governor then controls flow of engine oil, boosted to high pressure by the governing pump, to or from a piston in the propeller hub. Oil pressure acting on the piston twists the blades toward high pitch (low RPM). When oil pressure to the piston in the propeller hub is relieved, centrifugal force, assisted by an internal spring, twists the blades toward low pitch (high RPM).

(Continued Next Page)

## **PROPELLER** (Continued)

A control knob on the center area of the switch and control panel is used to set the propeller and control engine RPM as desired for various flight conditions. The knob is labeled PROPELLER, PUSH INCR RPM. When the control knob is pushed in, blade pitch will decrease, giving a higher RPM. When the control knob is pulled out, the blade pitch increases, thereby decreasing RPM. The propeller control knob is equipped with a vernier feature which allows slow or fine RPM adjustments by rotating the knob clockwise to increase RPM, and counterclockwise to decrease it. To make rapid or large adjustments, depress the button on the end of the control knob and reposition the control as desired.

## **FUEL SYSTEM**

The airplane fuel system (refer to Figure 7-6) consists of two vented integral fuel tanks (one tank in each wing), two fuel manifolds (one in each aft doorpost), a dual stack, four-position selector valve, an electrically-driven auxiliary fuel pump, and a fuel strainer. The engine-mounted portion of the system consists of the engine-driven fuel pump, a fuel/air control unit, fuel flow transducer, a fuel distribution valve (flow divider) and fuel injection nozzles.

The fuel system also incorporates a fuel return system that returns fuel from the top of the fuel servo back to each integral wing tank. The system includes a flexible fuel hose assembly between the servo and the firewall. Aluminum fuel lines return the fuel to the top portion of the selector valve and then to the aircraft integral tanks. One drain is added to properly drain the return system.

(Continued Next Page)

FUEL SYSTEM (Continued)

**WARNING**

**UNUSABLE** FUEL LEVELS FOR **THIS** AIRPLANE WERE DETERMINED IN ACCORDANCE **WITH** FEDERAL AVIATION REGULATIONS. FAILURE TO OPERATE THE AIRPLANE IN COMPLIANCE **WITH** FUEL LIMITATIONS SPECIFIED IN SECTION 2 MAY FURTHER REDUCE THE AMOUNT OF FUEL AVAILABLE IN FLIGHT.

**NOTE**

Unusable fuel is at a minimum due to the design of the fuel system. However, with 1/4 tank or less, prolonged uncoordinated flight such as slips or skids can uncover the fuel tank outlets, causing fuel starvation and engine stoppage. Therefore, with low fuel reserves, do not allow the airplane to remain in uncoordinated flight for periods in excess of one minute.

FUEL QUANTITY DATA IN U.S. GALLONS

FUEL TANKS	FUEL LEVEL (QUANTITY EACH TANK)	TOTAL FUEL	TOTAL UNUSABLE	TOTAL USABLE ALL FLIGHT CONDITIONS
Two	Full (46.0)	92.0	5.0	87.0
Two	Reduced (34.5)	69.0	5.0	64.0

Figure 7-5

(Continued Next Page)

## **FUEL SYSTEM** (Continued)

### **FUEL DISTRIBUTION**

Fuel flows by gravity from the two wing tanks through the fuel manifold (aft pickup only), and to a four position selector valve. From the selector valve, fuel flows through the auxiliary fuel pump, the fuel strainer, and to the engine driven fuel pump. A portion of the fuel (approximately 7 gallons/hour) is returned to the wing tank currently selected through the use of the fuel return system. From the engine driven fuel pump, fuel is delivered to the fuel/air control unit on the bottom of the engine. The fuel/air control unit (fuel servo) meters fuel flow in proportion to induction air flow. After passing through the control unit, metered fuel goes to a fuel distribution valve (flow divider) located on top of the engine. From the fuel distribution valve, individual fuel lines are routed to air bleed type injector nozzles located in the intake chamber of each cylinder.

### **FUEL INDICATING SYSTEM**

Fuel quantity is measured by two float-type fuel quantity sensors (one in each tank) and is displayed on the Engine Indicating System (EIS) pages. The indicators are marked in gallons of fuel. An empty tank is displayed on the fuel quantity indicator (FLIEL QTY GAL) as a red line on the far left of the indicator scale, and the number "0". When an indicator shows an empty tank, approximately 2.5 gallons of unusable fuel remain in the tank. The indicators should not be relied upon for accurate readings during skids, slips or unusual attitudes.

The fuel quantity indicator shows the fuel available in the tank up to the limit of the sensor float travel. At this level, additional fuel may be added to completely fill the tank, but no additional movement of the float or the indicator will result. The limit for sensor float travel is approximately 36 gallons and is indicated by the maximum limit of the green arc. When the fuel level decreases below maximum travel of the fuel sensor, the fuel quantity indicator will display fuel quantity measured in each tank. A visual check of each wing tank fuel level must be performed prior to each flight. Compare the visual fuel level and indicated fuel quantity to accurately estimate usable fuel.

(Continued Next Page)

## **FUEL SYSTEM** (Continued)

### **FUEL INDICATING SYSTEM** (Continued)

The fuel quantity indicators detect low fuel conditions and incorrect sensor outputs. When fuel quantity is less than 8 gallons indicated (and remains less than this level for more than 60 seconds), LOW FUEL L (left) and or LOW FUEL R (right) will be displayed in amber on the PFD and a tone will sound. The fuel quantity indicator pointer(s) and indicator label will change from white to steady amber. When fuel quantity reaches the calibrated usable fuel empty level, the LOW FUEL L and or LOW FUEL R remain amber and the indicator pointer(s) and label change to flashing red.

#### **NOTE**

Takeoff is not recommended if both fuel tank pointers are in the yellow arc range and/or any LOW FUEL annunciator is on.

In addition to low fuel annunciation, the warning logic is designed to report failures with each transmitter caused by short or open circuit conditions. If the circuit detects any one of these conditions, the affected fuel indicator will display a red "X". A red X through the top part of the indicator indicates a sensor failure in the left tank. A red X through the bottom part of the indicator indicates a sensor failure in the right tank.

Fuel flow is measured by use of a turbine type transducer mounted on the centerline of the engine between the fuel/air control unit and the fuel distribution unit. This flow meter produces a digital signal that is displayed as the rate of fuel flow on the FFLOW GPH indicator on the EIS pages. FFLOW GPH is either a horizontal analog indicator or a digital value, depending on the active EIS page. For fuel consumption information, a fuel totalizer function is provided on the SYSTEM EIS page as GAL USED. This digital indicator shows total fuel used since last reset of the totalizer. To reset the fuel totalizer, the system EIS page must be active and the softkey RST USED must be selected. The fuel totalizer provides no indication of the amount of fuel remaining in each tank, and should only be used in conjunction with other fuel management procedures to estimate total fuel remaining.

(Continued Next Page)

**FUEL SYSTEM** (Continued)

B3776

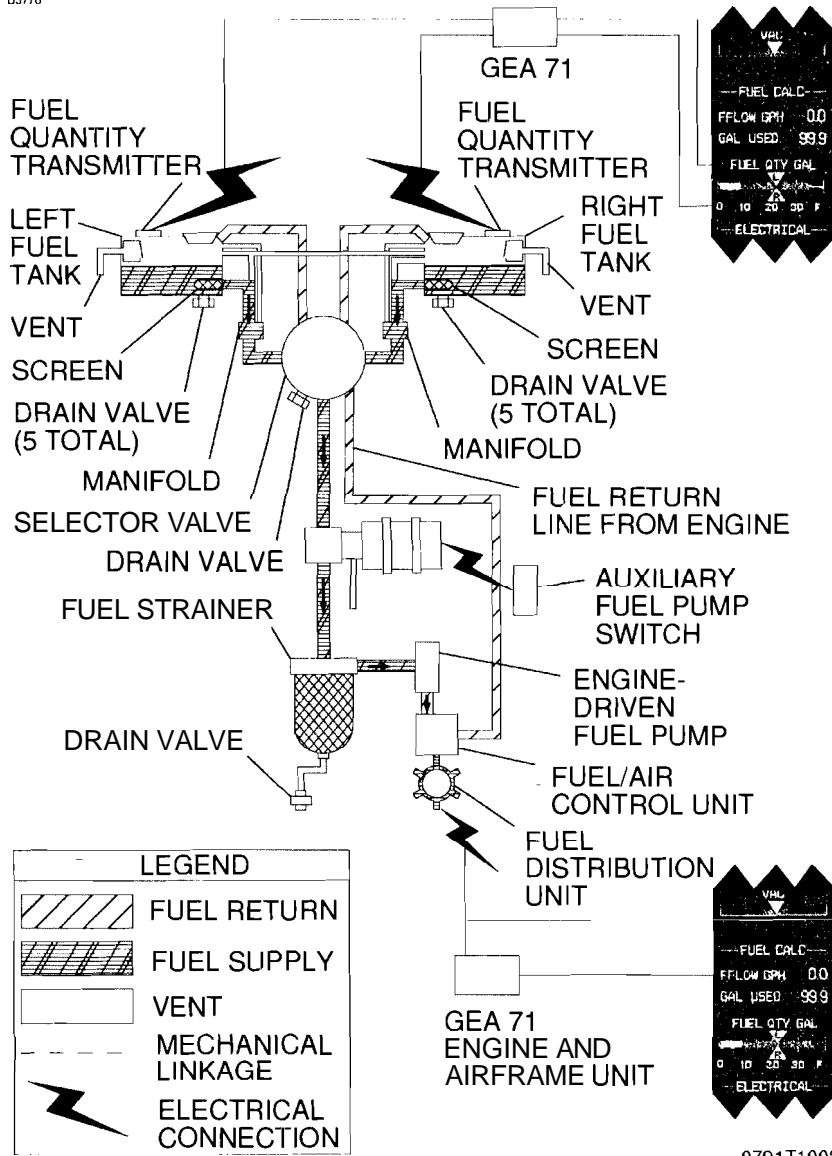


Figure 7-6



## FUEL SYSTEM (Continued)

### AUXILIARY FUEL PUMP OPERATION

The auxiliary fuel pump is used primarily for priming the engine before starting. Priming is accomplished through the fuel injection system. If the auxiliary FUEL PUMP switch is accidentally placed in the ON position for prolonged periods (with MASTER switch turned on and mixture rich) with the engine stopped, the engine may be flooded.

The auxiliary fuel pump is also used for vapor suppression in hot weather. Normally, momentary use will be sufficient for vapor suppression; however, continuous operation is permissible if required. Turning on the auxiliary fuel pump with a normally operating engine pump will result in only a very minor enrichment of the mixture.

It is not necessary to operate the auxiliary fuel pump during normal takeoff and landing, since gravity and the engine-driven pump will supply adequate fuel flow. In the event of failure of the engine-driven fuel pump, use of the auxiliary fuel pump will provide sufficient fuel to maintain flight at maximum continuous power.

### FUEL RETURN SYSTEM

A fuel return system was incorporated to improve engine operation during extended idle operation in hot weather environments. The major components of the system include an orificed fitting located in the top of the fuel servo, a dual stack fuel selector, and a drain valve assembly. The system is designed to return fuel/vapor back to the main tanks at approximately 7 gallons per hour. The dual stack selector ensures that fuel returns only to the tank that is selected as the feed tank. For example, if the fuel selector is positioned to use fuel from the left hand tank, the fuel return system is returning fuel to the left hand tank only.

(Continued Next Page)

## **FUEL SYSTEM** (Continued)

### **FUEL VENTING**

Fuel system venting is essential to system operation. Complete blockage of the venting system will result in decreasing fuel flow and eventual engine stoppage. Venting consists of an interconnecting vent line between the tanks and check valve equipped overboard vents in each tank. The overboard vents protrude from the bottom surfaces of the wings behind the wing struts, slightly below the upper attach points of the struts. The fuel filler caps are vacuum vented; the vents will open and allow air to enter the fuel tanks in case the overboard vents become blocked.

### **FUEL SELECTOR VALVE**

The fuel selector is a four-position selector valve, labeled BOTH, RIGHT, LEFT and OFF. The selector handle must be pushed down before it can be rotated from RIGHT or LEFT to OFF. The top portion of the valve is the return portion of the valve, while the bottom portion of the valve is the supply portion. Each side is isolated from the other.

The fuel selector valve should be in the BOTH position for takeoff, climb, landing, and maneuvers that involve prolonged slips or skids of more than 30 seconds. Operation from either LEFT or RIGHT tank is reserved for cruising flight.

### **NOTE**

When the fuel selector valve handle is in the BOTH position in cruising flight, unequal fuel flow from each tank may occur if the wings are not maintained exactly level. Resulting wing heaviness can be alleviated gradually by turning the selector valve handle to the tank in the "heavy" wing.

(Continued Next Page)

## **FUEL SYSTEM** (Continued)

### **FUEL SELECTOR VALVE** (Continued)

#### **NOTE**

It is not practical to measure the time required to consume all of the fuel in one tank, and, after switching to the opposite tank, expect an equal duration from the remaining fuel. The airspace in both fuel tanks is interconnected by a vent line and, therefore, some sloshing of fuel between tanks can be expected when the tanks are nearly full and the wings are not level.

#### **NOTE**

Unusable fuel is at a minimum due to the design of the fuel system. However, with 1/4 tank or less, prolonged uncoordinated flight such as slips or skids can uncover the fuel tank outlets causing fuel starvation and engine stoppage. Therefore, with low fuel reserves, do not allow the airplane to remain in uncoordinated flight for periods in excess of one minute.

### **FUEL DRAIN VALVES**

The fuel system is equipped with drain valves to provide a means for the examination of fuel in the system for contamination and grade. The system should be examined before each flight and after each refueling, by using the sampler cup provided to drain fuel from each wing tank sump, the fuel return side sump, the fuel selector drain and the fuel strainer sump. If any evidence of fuel contamination is found, it must be eliminated in accordance with the Preflight Inspection checklist and the discussion in Section 8 of this publication. If takeoff weight limitations for the next flight permit, the fuel tanks should be filled after each flight to prevent condensation.

## **BRAKE SYSTEM**

The airplane has a single-disc, hydraulically-actuated brake on each main landing gear wheel. Each brake is connected, by a hydraulic line, to a master cylinder attached to each of the pilot's rudder pedals. The brakes are operated by applying pressure to the top of either the left (pilot's) or right (copilot's) set of rudder pedals, which are interconnected. When the airplane is parked, both main wheel brakes may be set by utilizing the parking brake which is operated by a handle under the left side of the instrument panel. To apply the parking brake, set the brakes with the rudder pedals, pull the handle aft, and rotate it 90° down.

For maximum brake life, keep the brake system properly maintained, and minimize brake usage during taxi operations and landings.

Some of the symptoms of impending brake failure are: gradual decrease in braking action after brake application, noisy or dragging brakes, soft or spongy pedals, and excessive travel and weak braking action. If any of these symptoms appear, the brake system is in need of immediate attention. If, during taxi or landing roll, braking action decreases, let up on the pedals and then reapply the brakes with heavy pressure. If the brakes become spongy or pedal travel increases, pumping the pedals should build braking pressure. If one brake becomes weak or fails, use the other brake sparingly while using opposite rudder, as required, to offset the good brake.

## **ELECTRICAL SYSTEM**

The airplane is equipped with a 28-volt direct current (DC) electrical system (refer to Figure 7-7). A belt-driven 60-ampere alternator or optional 95-ampere alternator powers the system. A 24-volt main storage battery is located in the tail cone of the airplane. The alternator and battery are controlled through the MASTER switch found near the top of the pilot's switch panel.

Power is supplied to most electrical circuits through two primary buses (ELECTRICAL BUS 1 and ELECTRICAL BUS 2), with an Essential Bus and a crossfeed bus connected between the two primary buses to support essential equipment.

(Continued Next Page)

## **ELECTRICAL SYSTEM** (Continued)

The system is equipped with a secondary or "standby" battery located between the firewall and the instrument panel. The STBY BATT switch controls power to or from the standby battery. The standby battery is available to supply power to the Essential Bus in the event that alternator and main battery power sources have both failed.

The primary buses are supplied with power whenever the MASTER switch is turned on, and are not affected by starter or external power usage. Each primary bus is also connected to an avionics bus through a circuit breaker and the AVIONICS BUS 1 and BUS 2 switches. Each avionics bus is powered when the MASTER switch and the corresponding AVIONICS switch is in the ON position.

### **CAUTION**

**BOTH BUS 1 AND BUS 2 AVIONICS SWITCHES SHOULD BE TURNED OFF TO PREVENT ANY HARMFUL TRANSIENT VOLTAGE FROM DAMAGING THE AVIONICS EQUIPMENT PRIOR TO TURNING THE MASTER SWITCH ON OR OFF, STARTING THE ENGINE OR APPLYING AN EXTERNAL POWER SOURCE**

The airplane includes a power distribution module, located on the left forward side of the firewall, to house all the relays used in the airplane electrical system. The alternator control unit, main battery current sensor, and the external power connector are also housed within the module.

(Continued Next Page)

**ELECTRICAL SYSTEM** (Continued)

81524

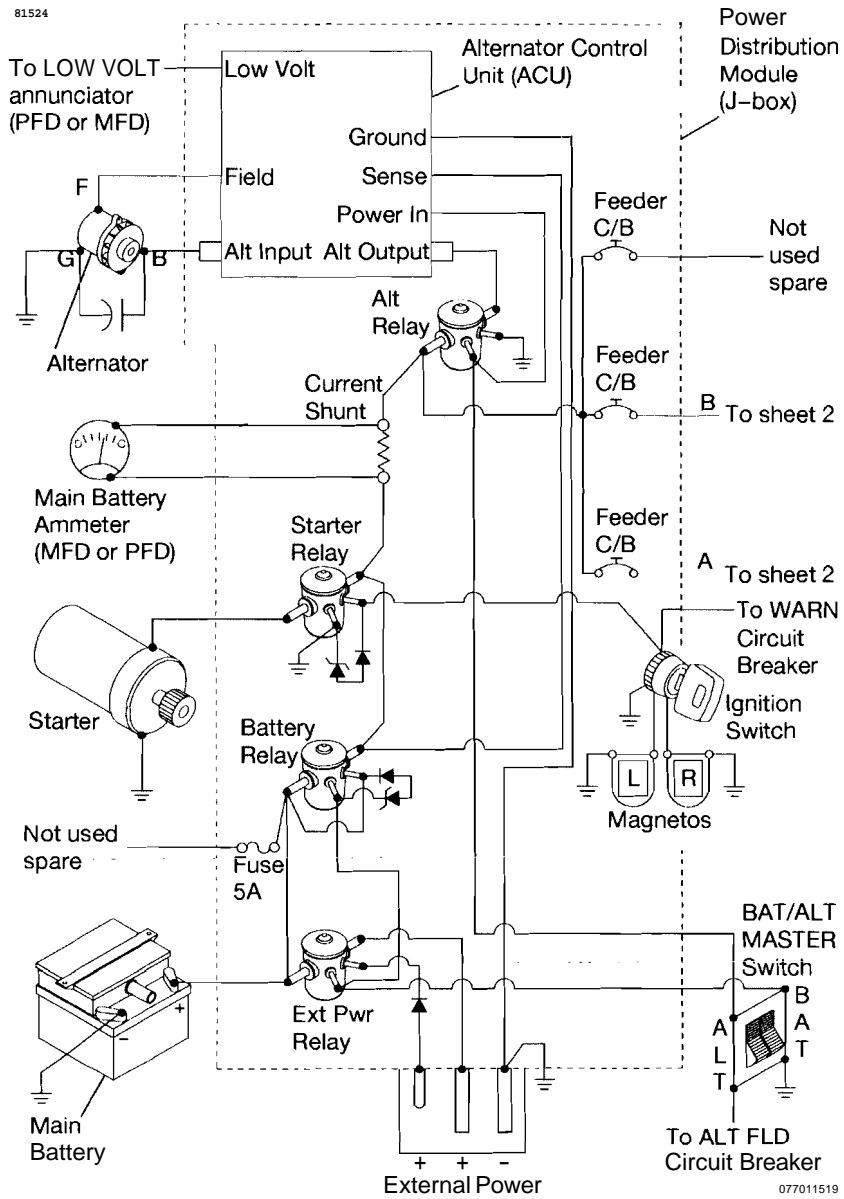


Figure 7-7 (Sheet 1 of 3)

**ELECTRICAL SYSTEM (Continued)**

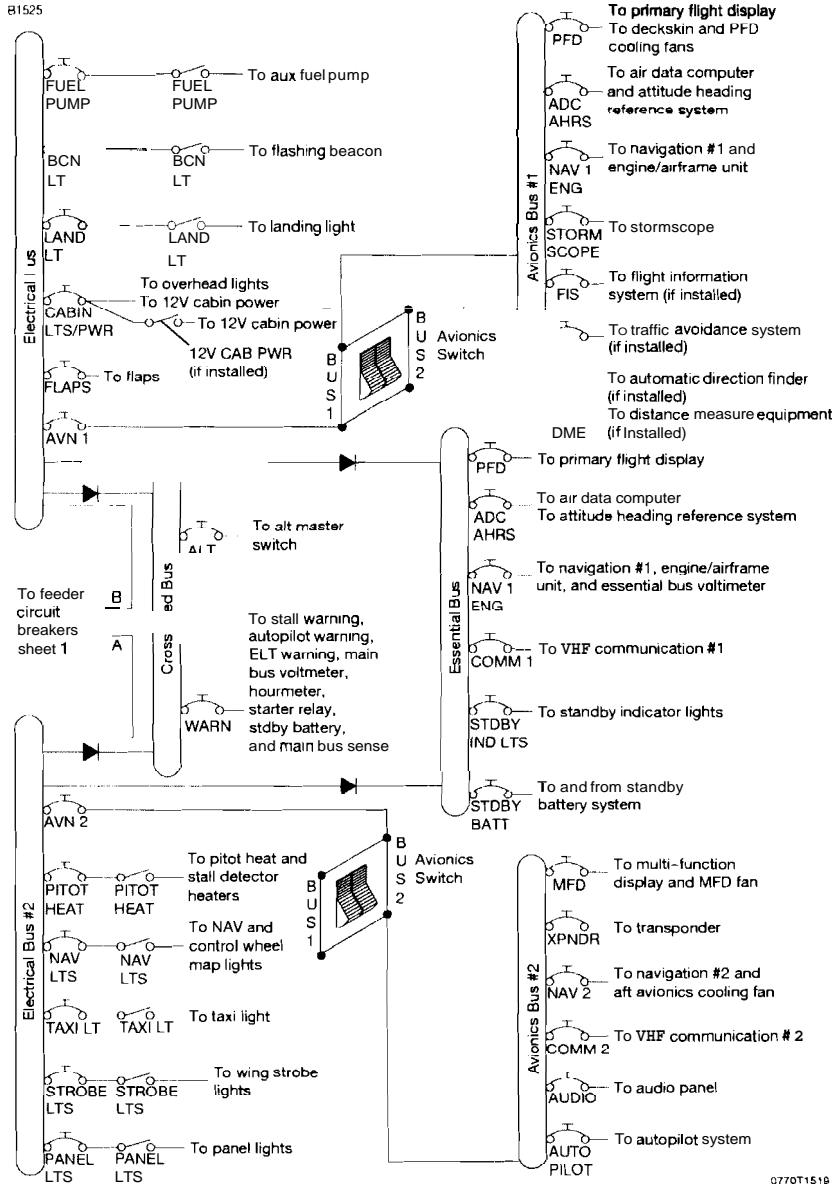
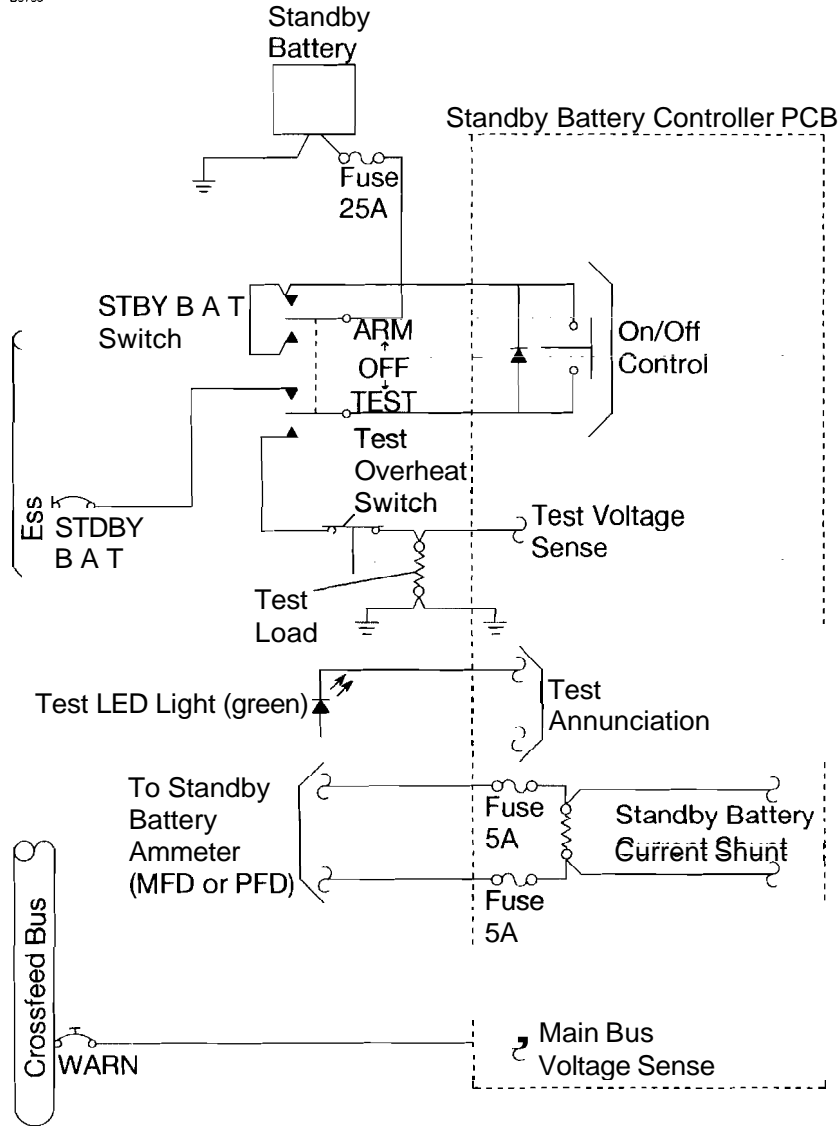


Figure 7-7 (Sheet 2)

**ELECTRICAL SYSTEM** (Continued)

83766



077011519

Figure 7-7 (Sheet 3)



## **ELECTRICAL SYSTEM** (Continued)

### **G1000 ANNUNCIATOR PANEL**

All system alerts, cautions and warnings are shown on the right side of the PFD screen adjacent to the vertical speed indicator. The following annunciations are supported:

OIL PRESSURE	LOW VACUUM
LOW FUEL L	LOW FUEL R
LOW VOLTS	PITCH TRIM
HIGH VOLTS	CO LVL HIGH (if installed)
STBY BAT	

Refer to the Garmin G1000 Cockpit Reference Guide Appendix A for more information on system annunciations.

### **MASTER SWITCH**

The MASTER switch is a two-pole, rocker-type switch. The BAT side of the switch controls the main battery electrical power to the airplane. The ALT side of the switch controls the alternator system.

In normal operation, both sides of the switch (ALT and BAT) are ON simultaneously; however, the BAT side of the switch may be selected separately as necessary. The ALT side of the switch can not be set to ON without the BAT side of the switch also being set to ON.

If the alternator system fails, the MASTER switch may be set in the OFF position to preserve Main Battery capacity for later in the flight. With the MASTER switch OFF and the STBY BATT switch in the ARM position, the standby battery will power the Essential Bus for a limited time. Time remaining may be estimated by monitoring Essential Bus Voltage. At 20 Volts, the standby battery has little or no capacity remaining.

(Continued Next Page)

## **ELECTRICAL SYSTEM** (Continued)

### **STANDBY BATTERY SWITCH**

The STBY BATT master switch is a three position (ARM-OFF-TEST) switch that tests and controls the Standby battery system. The energy level of the battery shall be checked before starting the engine (Refer to Section 4) by placing the switch in the momentary TEST position and observing the correct illumination of the TEST lamp found to the right of the switch. Energy level tests after starting engine are not recommended.

Placing the switch in the ARM position during the engine start cycle allows the Standby battery to help regulate and filter Essential Bus voltage during the start cycle. The switch is set to the ARM position during normal flight operation to allow the Standby battery to charge and to be ready to power the Essential Bus in the event of alternator and main battery failure. Placing the switch in the OFF position disconnects the Standby battery from the Essential Bus. Operation with the STBY BATT switch in the OFF position prevents the Standby battery from charging and from automatically providing power should an electrical system failure occur.

### **AVIONICS SWITCH**

The AVIONICS switch is a two-pole rocker-type switch that controls electrical power to AVIONICS BUS 1 and BUS 2. Placing either side of the rocker switch in the ON position supplies power to the corresponding avionics bus. Both sides of the AVIONICS switch should be placed in the OFF position before turning the MASTER switch ON or OFF, starting the engine, or applying an external power source.

(Continued Next Page)

## **ELECTRICAL SYSTEM** (Continued)

### **ELECTRICAL SYSTEM MONITORING AND ANNUNCIATIONS**

#### **BUS VOLTAGE (VOLTMETER)**

Voltage (VOLTS) indication for the Main and Essential buses is provided at the bottom of the Engine Indication System bar (along the left margin of the MFD or PFD), labeled "M BUS E". Main bus voltage is shown numerically below the "M". Essential bus voltage is displayed numerically below the "E". The Main bus voltage is measured at the WARN circuit breaker on the X-FEED bus. The Essential bus voltage is measured at the NAV1 ENG circuit breaker on the Essential bus. Normal bus voltages with the alternator operating shall be about 28 volts. When the voltage for either Main or Essential is at or below 24.5 volts, the numeric value and VOLTS text turns red. This warning indication, along with the "LOW VOLTS" annunciation, is an indication that the alternator is not supplying all the power that is required by the aircraft. Indicated voltages between 24.5 and 28 volts may occur during low engine RPM conditions (Refer to note under LOW VOLTAGE ANNUNCIATION).

#### **AMMETER**

Current (AMPS) indication for both the main and Standby batteries is provided at the bottom of the Engine Indication System bar (along the left margin of the MFD or PFD), labeled "M BATT S". Main battery current is numerically displayed below the "M". Standby battery current is displayed numerically below the "S". A positive current value (shown in white) indicates that the battery is charging. A negative current value (shown in amber) indicates that the battery is discharging. In the event the alternator is not functioning or the electrical load exceeds the output of the alternator, the main battery ammeter indicates the main battery discharge rate.

In the event that Standby battery discharge is required, normal discharge should be less than 4 Amps. After engine start, with the STBY BATT switch in the ARM position, the Standby Battery ammeter should indicate a charge showing correct charging of Standby Battery System.

(Continued Next Page)

## **ELECTRICAL SYSTEM** (Continued)

### **LOW VOLTAGE ANNUNCIATION**

A signal from the Alternator Control Unit (ACU), located inside the Power Distribution Module, provides the trigger for a red "LOW VOLTS" annunciation shown on the PFD. "LOW VOLTS" is displayed when the Main bus voltage measured in the junction box is below 24.5 volts. This warning annunciation is an indication that the alternator is not supplying the power that is required by the aircraft. If the conditions causing the warning can not be resolved, nonessential electrical loads should be eliminated and the flight should be terminated as soon as practicable.

#### **NOTE**

During low RPM operation, with a high electrical load on the system, such as during a low RPM taxi, the "LOW VOLTS" annunciation may come on, the bus voltage values may turn red, and Main battery ammeter discharge indications may occur. Under these conditions, increase RPM or decrease electrical loads to reduce demand on the battery.

In the event an overvoltage condition (or other alternator fault) occurs, the ACU will automatically open the ALT FIELD circuit breaker, removing alternator field current and stopping alternator output. The Main Battery will then supply current to the electrical system as shown by a discharge (negative number) on the M BAT ammeter. The LOW VOLTS annunciation will come on when the system voltage drops below 24.5 volts. Set the ALT FIELD circuit breaker to the ON position (push in) to energize the ACU. If the warning annunciation extinguishes and the Main Battery (M BATT) ammeter indicates positive current, normal alternator charging has resumed. If the annunciation comes on again, or the ALT FIELD circuit breaker opens again, an alternator malfunction has occurred. If the circuit breaker opens again, do not SET it to the ON position again. Have a qualified technician determine the cause and correct the malfunction. Turn off nonessential electrical loads and land as soon as practicable.

(Continued Next Page)

## **ELECTRICAL SYSTEM** (Continued)

### **LOW VOLTAGE ANNUNCIATION** (Continued)

ALT FIELD circuit breaker may open on occasion during normal engine starts due to transient overvoltages. Provided that normal alternator output is resumed after the ALT FIELD circuit breaker is reset, these occurrences are considered nuisance events; if the ALT FLD circuit breaker opens after reset, do not close again. Repeated occurrences indicate a problem with the electrical system that must be corrected by a qualified maintenance technician before flight.

### **CIRCUIT BREAKERS AND FUSES**

Individual system circuit breakers are found on the circuit breaker panel below the pilot's control wheel. All circuit breakers on ESSENTIAL BUS, AVIONICS BUS 1 and AVIONICS BUS 2 are "pullable" for electrical load management. Using a "pullable" circuit breaker as a switch is discouraged since the practice will decrease the life of the circuit breaker. All circuit breakers on ELECTRICAL BUS 1, ELECTRICAL BUS 2 and X-FEED BUS are "non-pullable"-type.

The Power Distribution Module uses three "push to reset" circuit breakers for the electrical bus feeders. A "fast blow" automotive type fuse is used at the Standby Battery. The Standby Battery current shunt circuit uses two field replaceable fuses located on the Standby Battery Controller printed circuit board.

Most Garmin G1000 equipment has internal non-field replaceable fuses. Equipment must be returned to Garmin by an approved service station for replacement.

### **EXTERNAL POWER RECEPTACLE**

A external power receptacle is integral to the power distribution module and allows the use of an external power source for cold weather starting or for lengthy maintenance work on electrical and avionics equipment. The receptacle is located on the left side of the cowl near the firewall. Access to the receptacle is gained by opening the receptacle door.

(Continued Next Page)

## **ELECTRICAL SYSTEM** (Continued)

### **EXTERNAL POWER RECEPTACLE** (Continued)

#### **NOTE**

Set the AVIONICS switches BUS 1 and BUS 2 to OFF if no avionics are required. If maintenance on the avionics equipment is required, a 28 VDC regulated and filtered external power source must be provided to prevent damage to the avionics equipment from transient voltages. Set AVIONICS switches BUS 1 and BUS 2 to OFF before starting the engine.

The following check should be made whenever the engine has been started using external power (after disconnecting the external power source).

1. MASTER Switch (ALT and BAT) - OFF.
2. TAXI and LANDING Light Switches - ON.
3. Engine RPM - REDUCE to idle.
4. MASTER Switch (ALT and BAT) - ON (with taxi and landing lights turned on).
5. Engine RPM - INCREASE (to approximately 1500 RPM).
6. Main Battery (BAT) Ammeter - CHECK (battery to be charging, amps positive).
7. Low Voltage Annunciator - CHECK (no LOW VOLTS annunciation).

#### **NOTE**

If the Main Battery (M BATT) ammeter does not show a positive rate of charge or the low voltage warning annunciation does not go off, the battery should be removed from the airplane and properly serviced prior to flight.

(Continued Next Page)

## LIGHTING SYSTEMS

### EXTERIOR LIGHTING

Exterior lighting consists of navigation lights on the wing tips and the tip of the stinger, landing/taxi lights located on the left wing leading edge, a flashing beacon mounted on top of the vertical fin, and a strobe anticollision light on each wing tip.

Two courtesy lights are recessed into the lower surfaces of each wing and provide illumination for each cabin door area. The switch for the courtesy lights is found on the pilot's overhead console. Pressing the courtesy light switch will make the lights come on and pressing it again will make the lights go out.

All other exterior lights are operated by switches found on the lighted switch panel to the left of the PFD. Exterior lights are grouped together in the LIGHTS section of the switch panel. To activate the BEACON, LAND (Landing Light), TAXI (Taxi Light), NAV, and STROBE light(s), place the switch in the up position. Circuit breakers for the lights are found on the lighted circuit breaker panel on the lower left instrument panel, below the PFD. Circuit breakers are grouped by electrical bus with BEACON and LAND on ELECTRICAL BUS 1 and TAXI, NAV and STROBE on ELECTRICAL BUS 2.

### NOTE

The strobes and flashing beacon should not be used when flying through clouds or overcast; the flashing light reflected from water droplets or particles in the atmosphere, particularly at night, can produce vertigo and loss of orientation.

(Continued Next Page)

## LIGHTING SYSTEMS (Continued)

### INTERIOR LIGHTING

Interior lighting is controlled by a combination of dimmable crew area flood lighting, internally lit switch and circuit breaker panels, avionics panel lighting, instrument lighting, pedestal lighting, pilot control wheel map lighting and passenger area flood lighting.

For airplane serials 18280945 thru 18281741, flood lighting is accomplished using one dimmable light in the front crew area and one dome light in the rear passenger area. Both lights are contained in the overhead console, and are controlled by either the dimmer control for the front light, and an on and off type push button switch for the rear light. The front light can be rotated to provide directional lighting for the pilot and front passenger. The rear dome light is a fixed position light and provides for general illumination in the rear cabin area. Rear dome light and courtesy lights share the same switch.

For airplane serials 18281742 and On, flood lighting is accomplished using two dimmable lights in the front crew area and one dome light in the rear passenger area. These lights are contained in the overhead console, and are controlled by dimmer controls for the front lights, and an on and off type push button switch for the rear light. The front lights can be rotated to provide directional lighting for the pilot and front passenger. The rear dome light provides for general illumination in the rear cabin area. Rear dome light and courtesy lights share the same switch.

Lighting of the switch panel, circuit breaker panel, engine controls and environmental control panel is accomplished by using internally lighted LED lighted panels. Rotating the SW/CB PANELS dimmer, found on the switch panel in the DIMMING group, controls the lighting level for both panels. Rotating the dimmer counterclockwise decreases light intensity from the highest level to off.

Pedestal lighting consists of three hooded lights found at various locations on the pedestal. Rotating the PEDESTAL dimmer, found on the switch panel in the DIMMING group, controls the pedestal lights. Rotating the dimmer counterclockwise decreases light intensity from the highest level to off.

(Continued Next Page)



## **LIGHTING SYSTEMS** (Continued)

### **INTERIOR LIGHTING** (Continued)

Avionics panel lighting consists of the PFD and MFD bezel and display lighting, Audio Panel lighting, and KAP 140 Flight Computer keys and display lighting. Rotating the AVIONICS dimmer, found on the switch panel in the DIMMING group, controls the lighting level. Positioning the dimmer control in the OFF position, rotated fully counterclockwise, causes the avionics displays to use internal photocells to automatically control the lighting levels. This is the recommended use of the avionics lighting for all day and lower lighting levels where lighting of the avionics bezels and keys is not required. In low to night lighting levels rotating the dimmer control clockwise from the OFF position places all avionics lighting level control to the AVIONICS dimmer control. This is the recommended use of avionics lighting for night and low lighting conditions to allow the pilot control of the avionics illumination levels as dark adaptation occurs.

Rotating the STDBY IND dimmer, found on the switch panel in the DIMMING group, controls lighting of the standby airspeed indicator, attitude indicator, altimeter and non-stabilized magnetic compass. Rotating the dimmer counterclockwise decreases light intensity from the highest level to off.

Pilot's chart lighting is accomplished by use of a rheostat and a light assembly, both found on the lower surface of the pilot's control wheel. The light provides downward illumination from the bottom of the control wheel to the pilot's lap area. To operate the light, first turn the NAV light switch ON, and then adjust the map light intensity using the knurled rheostat knob. Rotating the dimmer clockwise increases light intensity, and rotating the dimmer counterclockwise decreases light intensity.

(Continued Next Page)

## **LIGHTING SYSTEMS** (Continued)

### **INTERIOR LIGHTING** (Continued)

Regardless of the light system in question, the most probable cause of a light failure is a burned out bulb. However, in **ine** event any lighting systems fails to come on, check the appropriate circuit breaker. For the interior lights the PANEL LTS circuit breaker, and for the exterior lights the associated light function circuit breaker (i.e. landing light, LAND LT circuit breaker). If the circuit breaker has opened, and there is no obvious indication of a short circuit (smoke or odor), turn the affected lights OFF, reset the circuit breaker, and turn the lights ON again. If the circuit breaker opens again, do not reset until maintenance has been performed.

### **CABIN HEATING, VENTILATING AND DEFROSTING SYSTEM**

The temperature and volume of airflow into the cabin can be regulated by manipulation of the push-pull CABIN HT and CABIN AIR controls (refer to Figure 7-8). Both controls are the double-button locking-type and permit intermediate settings.

For cabin ventilation, pull the CABIN AIR knob out. To raise the air temperature, pull the CABIN HT knob out approximately 1/4 to 1/2 inch for a small amount of cabin heat. Additional heat is available by pulling the knob out farther; maximum heat is available with the CABIN HT knob pulled out and the CABIN AIR knob pushed full in. When no heat is desired in the cabin, the CABIN HT knob is pushed full in.

Front cabin heat and ventilating air is supplied by outlet holes spaced across a cabin manifold just forward of the pilot's and copilot's feet. Rear cabin heat and air is supplied by two ducts from the manifold, one extending down each side of the cabin to an outlet just aft of the rudder pedals at floor level. Windshield defrost air is also supplied by two ducts from the cabin manifold outlet on top of the glareshield; therefore, the temperature of the defrosting air is the same as heated cabin air. A rotating control knob, labeled DEFROST, regulates the volume of air to the windshield. Turn the knob clockwise to ON and counterclockwise to OFF.

(Continued Next Page)

**CABIN HEATING, VENTILATING AND DEFROSTING SYSTEM**

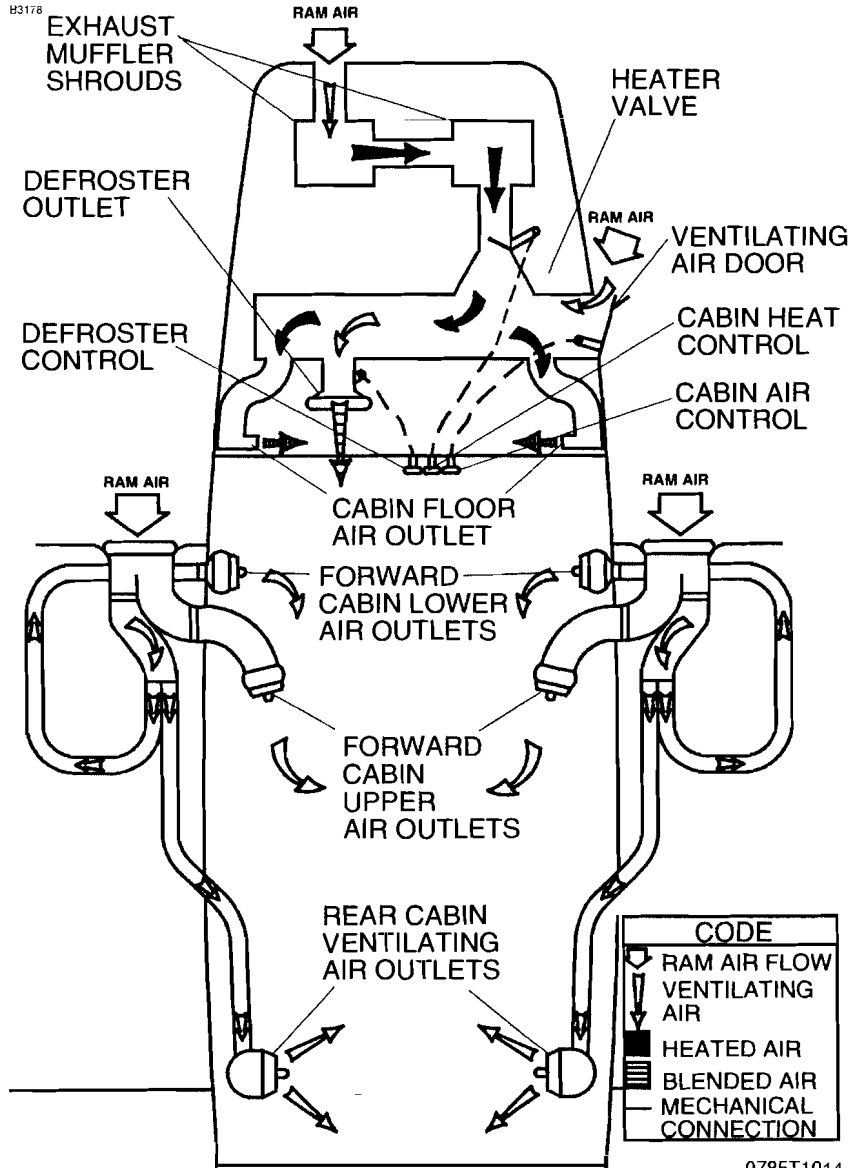


Figure 7-8

## **CABIN HEATING, VENTILATING AND DEFROSTING SYSTEM** (Continued)

Separate adjustable ventilators supply additional air; one near each upper corner of the windshield supplies air for the pilot and front passenger, and two ventilators are available for the rear cabin area to supply air to the rear seat passengers. There are additional ventilators located in various positions in the cockpit.

## **PITOT-STATIC SYSTEM AND INSTRUMENTS**

The pitot-static system uses a heated total pressure (pitot) head mounted on the lower surface of the left wing, external static ports mounted on both sides of the forward fuselage and associated plumbing to connect the GDC 74A Air Data Computer and the conventional pitot-static instruments to the sources.

The heated pitot system uses an electrical heating element built in the body of the pitot head. The PITOT HEAT control switch is found on the switch panel below the lower LH corner of the PFD. The PITOT HEAT circuit breaker (10 A) is found on the circuit breaker panel at the lower LH side of the pilot panel.

A static pressure alternate source valve (ALT STATIC AIR) is located next to the throttle control. The ALT STATIC AIR valve provides static pressure from inside the cabin if the external static pressure source becomes blocked.

If erroneous instrument readings are suspected due to water or ice in the pressure line going to the standard external static pressure source, the alternate static source valve should be pulled on.

Pressures within the cabin will vary with open heaters/vents and windows. Refer to Section 5, Figure 5-1 (Sheet 2), for the Airspeed Calibration, Alternate Static Source correction chart and Figure 5-2 for the Altimeter Correction, Alternate Static Source correction chart.

## VACUUM SYSTEM AND INSTRUMENTS

The vacuum system (refer to Figure 7-9) provides the vacuum necessary to operate the standby attitude indicator. The system consists of one engine-driven vacuum pump, a vacuum regulator, the standby attitude indicator, a vacuum system air filter, and a vacuum transducer. The GEA-71 Engine and Airframe unit receives the signal from the vacuum transducer and shows vacuum on the EIS / SYSTEM page. If vacuum available through the pump drops below 3.5 in. Hg., LOW VACUUM will appear in amber on the PFD.

### ATTITUDE INDICATOR

The standby attitude indicator is a vacuum-powered gyroscopic instrument, found on the center instrument panel below the MFD. The Attitude Indicator includes a low-vacuum warning "flag" ("GYRO") that comes into view when the vacuum is below the level necessary for reliable gyroscope operation.

### VACUUM INDICATOR

The vacuum indicator is incorporated on the EIS SYSTEM page, found along the left side of the PFD during engine start or the left edge of the MFD during normal operation. During reversionary operation, the EIS bar appears along the left side of the operational display.

### LOW VACUUM ANNUNCIATION

A low vacuum condition is annunciated along the upper right side of the PFD by a amber "LOW VACUUM" text box.

### VACUUM SYSTEM

83756

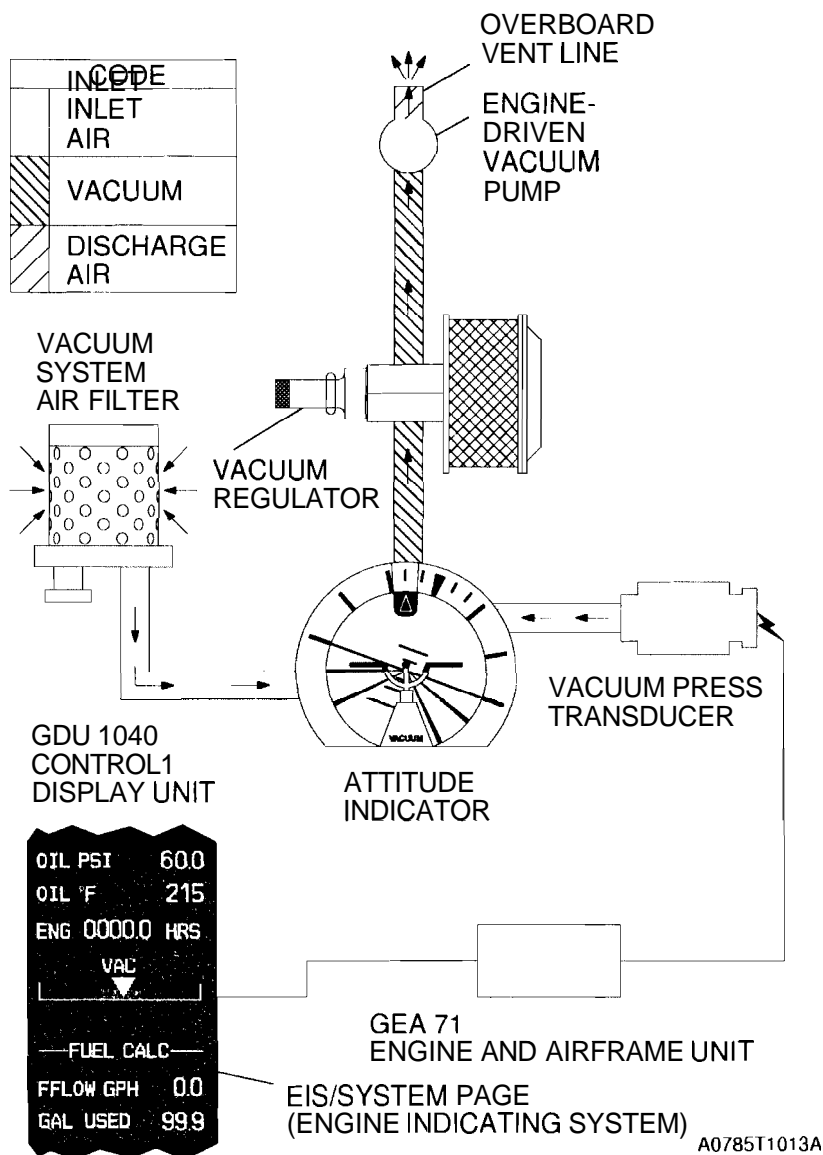


Figure 7-9

## **CLOCK/O.A.T. INDICATOR**

A numerical time or clock window (based on GPS time) and an outside air temperature (O.A.T.) indicator window are provided along the lower edge of the PFD. The O.A.T. indicator uses an air temperature sensor located on top of the cabin.

## **STALL WARNING SYSTEM**

The airplane is equipped with a vane-type stall warning system consisting of an inlet in the leading edge of the left wing, which is electrically connected to a stall warning horn located in the headliner above the left cabin door. A 5-amp push-to-reset circuit breaker labeled STALL WARN, on the left side of the switch and control panel, protects the stall warning system. The vane in the wing senses the change in airflow over the wing, and operates the warning horn at airspeeds between 5 and 10 knots above the stall in all configurations.

The airplane has a heated stall warning system, the vane and sensor unit in the wing leading edge is equipped with a heating element. The heated part of the system is operated by the PITOT HEAT switch, and is protected by the PITOT HEAT circuit breaker.

The stall warning system should be checked during the preflight inspection by momentarily turning on the MASTER switch and actuating the vane in the wing. The system is operational if the warning horn sounds as the vane is pushed upward.

## STANDARD AVIONICS

The Garmin G1000 Avionics System is an integrated flight control and navigation system. The system combines primary flight instruments, communications, aircraft system information and navigational information all displayed on two color displays. The G1000 system consists of the following pieces of equipment:

**GDU 1040 Color Display** - Two identical units are mounted on the instrument panel. One, located in front of the pilot, is configured as a Primary Flight Display, or PFD. A second panel, located to the right, is configured as a Multi-Function Display, or MFD.

The PFD displays roll and pitch information, heading and course navigation information, plus altitude, airspeed and vertical speed information to the pilot. The PFD also controls and displays all communication and navigation frequencies as well as displaying warning/status annunciations of aircraft systems.

The MFD displays a large scalable, moving map that corresponds to the airplane's current location. Data from other components of the system can be overlaid on this map. Location and direction of movement of nearby aircraft, lightning and weather information can all be displayed on the MFD. The MFD is also the principle display of all of the engine parameters and fuel information.

A Reversionary Mode places the flight information and basic engine information on both the PFD and the MFD. This feature allows the pilot full access to all necessary information should either of the display screens malfunction.

**GMA 1347 Audio Panel** - The audio panel for the G1000 system integrates all of the communication & navigation digital audio signals, intercom system and marker beacon controls in one unit. It is installed on the instrument panel between the PFD and the MFD. The GMA 1347 also controls the Reversionary Mode for the PFD and MFD.

### NOTE

Use of the COM 1/2 function is not approved.

(Continued Next Page)



## **STANDARD AVIONICS** (Continued)

**GIA 63 Integrated Avionics Unit** - Two GIA 63 units are installed in the G1000 system. They are mounted in racks in the tailcone, behind the baggage curtain. These units act as the main communications hub linking all of the other peripheral parts to the GDU 1040 displays. Each unit contains a GPS receiver, a VHF navigation receiver, VHF communication transceiver and the main system microprocessors. The first GIA 63 unit to acquire a GPS satellite 3-D navigation signal is the active GPS source.

**GRS 77 Attitude, Heading, Reference System and GMU 44 Magnetometer** - The GRS 77 AHRS provides aircraft attitude and flight characteristics information to the G1000 displays and to the GIA 63 units. It is located in the tailcone of the aircraft. The unit contains accelerometers, tilt sensors and rate sensors that replace spinning mass gyros used in other aircraft. The GMU 44 Magnetometer is located inside the left wing panel. It interfaces with the AHRS to provide heading information.

**GDC 74A Air Data Computer** - The Air Data Computer (ADC) compiles information from the aircraft's pitot/static system. The unit is mounted behind the instrument panel, just forward of the MFD. An outside air temperature probe, mounted on top of the cabin, is connected to the Air Data Computer. The ADC calculates pressure altitude, airspeed, true airspeed, vertical speed and outside air temperature.

**GEA 71 Engine Monitor** - The Engine Monitor is responsible for receiving and processing the signals from all of the engine and airframe sensors. It is connected to all of the cylinder head temperature measuring sensors, exhaust gas temperature sensors, manifold pressure, RPM, fuel flow and to the fuel gauging system. This unit transmits this information to the GIA 63 computers.

**GTX 33 Transponder** - The GTX 33 is a full-featured Mode S transponder which provides Mode A, C and S functions. Control and operation of the transponder is accomplished using the PFD. The GTX 33 unit is mounted in the tailcone avionics racks.

Additional standard avionics supplied for use with the G1000 Integrated Cockpit System include:

(Continued Next Page)

## STANDARD AVIONICS (Continued)

### GDL 69A XM WEATHER AND RADIO DATA **LINK**

The GDL 69A XM Weather and Radio Data Link provides weather information and digital audio entertainment in the cockpit. The unit is mounted behind the instrument panel, just forward of the MFD. This unit communicates with the MFD on the High-Speed Data Bus. XM Weather and XM Radio operate in the S-band frequency range to provide continuous uplink capabilities at any altitude throughout North America. A subscription to the XM Satellite Radio service is required for the GDL 69A to be used.

### **BENDIX/KING** KAP 140 2 **AXIS** AUTOPILOT

Refer to Section 9, Supplement 3, for operating information.

### WARNING

WHEN THE KAP 140 AUTOPILOT IS ENGAGED IN NAV, APR OR REV OPERATING MODES, IF THE HSI NAVIGATION SOURCE IS CHANGED FROM GPS TO **NAV1** AUTOMATICALLY OR MANUALLY (USING THE CDI **SOFTKEY**) OR MANUALLY FROM NAV2 TO GPS, THE CHANGE WILL INTERRUPT THE NAVIGATION SIGNAL TO THE AUTOPILOT AND WILL CAUSE **THE** AUTOPILOT TO REVERT TO ROL MODE OPERATION. NO WARNING CHIME OR PFD ANNUNCIATION IS PROVIDED. THE PREVIOUSLY SELECTED MODE SYMBOL SHOWN ON THE AUTOPILOT DISPLAY WILL BE FLASHING TO SHOW THE REVERSION TO ROL MODE OPERATION. IN ROL MODE, THE AUTOPILOT WILL ONLY KEEP THE WINGS LEVEL AND WILL NOT CORRECT THE AIRPLANE HEADING OR COURSE. SET THE HDG BUG TO THE CORRECT HEADING AND SELECT THE CORRECT NAVIGATION SOURCE ON THE HSI USING THE CDI **SOFTKEY** BEFORE ENGAGING THE AUTOPILOT IN ANY OTHER OPERATING MODE.

### L3 COMMUNICATIONS WX-500 STORMSCOPE

Refer to Section 9, Supplement 4, for operating information.

## AVIONICS SUPPORT EQUIPMENT

Avionics cooling fans, antennas, microphone and headset provisions, power converter and static discharge wicks support the operation of the avionics equipment installations.

### AVIONICS COOLING FANS

Four DC electric fans provide forced air and ambient air circulation cooling for the G1000 avionics equipment. A single fan in the tailcone provides forced air cooling to the Integrated Avionics Units and to the Transponder. A fan located forward of the instrument panel removes air from between the firewall bulkhead and instrument panel, directing the warm air up at the inside of the windshield. Two additional fans blow air directly onto the heat sinks located on the forward sides of the PFD and MFD.

Power is provided to these fans when the MASTER (BAT) switch and the AVIONICS (BUS 1 and BUS 2) switch are all ON.

### NOTE

None of the cooling fans will operate when the essential bus avionics equipment is being powered by the standby battery.

### ANTENNAS

Two combination VHF COM/GPS antennas are mounted on the top of the cabin. COM 1/GPS 1 antenna is mounted on the RH side. COM 2/GPS 2/GDL 69A antenna is mounted on the LH side. They are connected to the two VHF communication transceivers and the two GPS receivers in the GIA 63 Integrated Avionics Units, and the GDL 69A.

A blade-type navigation antenna element is mounted on either side of the vertical stabilizer. This antenna provides VOR and glideslope signals to the VHF navigation receivers contained in the GIA 63 Integrated Avionics Units.

(Continued Next Page)

## **AVIONICS SUPPORT EQUIPMENT** (Continued)

### **ANTENNAS** (Continued)

The marker beacon antenna is mounted on the bottom of the tailcone. It provides the signal to the marker beacon receiver located in of the GMA 1347 audio panel.

The transponder antenna is mounted on the bottom of the cabin is connected to the GTX 33 Mode S transponder by a coaxial transmission cable.

The L3 Communications WX-500 Stormscope (if installed) antenna is mounted on the bottom of the tailcone and is connected to the L3 Communications WX-500 Stormscope receiver by an antenna cable assembly.

The DME (if installed) antenna is mounted on the bottom of the tailcone and is connected to the Honeywell KN 63 DME by a coaxial cable.

The Honeywell KTA 870 TAS (if installed) has two antennas. A directional antenna is mounted on top of the cabin fwd of the COM antennas and an omni antenna is mounted on the bottom of the tailcone. These are connected to the KTA 870 TAS by coaxial cables.

### **MICROPHONE AND HEADSET INSTALLATIONS**

Standard equipment for the airplane includes a handheld microphone, an overhead speaker, two remote-keyed microphone switches on the control wheels, and provisions for communications headsets at each pilot and passenger station.

The hand-held microphone includes an integral push-to-talk switch. This microphone is plugged in at the center pedestal and is accessible to both the pilot and front passenger. Pressing the push-to-talk switch allows voice transmission on the COM radios.

The overhead speaker is located in the center overhead console. Volume and output for this speaker are controlled through the audio panel.

(Continued Next Page)

## **AVIONICS SUPPORT EQUIPMENT** (Continued)

### MICROPHONE AND HEADSET INSTALLATIONS (Continued)

Each control wheel contains a push-to-talk switch. This switch allows the pilot or front passenger to transmit on the COM radios using remote mics.

Each seat position of the airplane has provisions for aviation-style headsets. Microphone and headphone jacks are located on each respective sidewall panel for communications between passengers and pilot. The system is designed so that microphones are voice-activated. Only the pilot or front passenger can transmit through the COM radios.

#### NOTE

To ensure audibility and clarity when transmitting with the handheld microphone, always hold it as closely as possible to the lips, then press the transmit switch and speak directly into it. Avoid covering the opening on back side of microphone for optimum noise canceling.

### AUXILIARY AUDIO INPUT JACK

An auxiliary audio input jack (AUX AUDIO IN) is located on the right side of the center pedestal (refer to Figure 7-2). It allows entertainment audio devices such as cassette players and compact disc players to play music over the aircraft's headsets.

The signal from AUX AUDIO IN is automatically muted during radio communications or pilot selection of crew intercom isolation modes located on the Garmin GMA 1347 audio panel. The AUX key on the GMA 1347 audio panel does not control the AUX AUDIO IN signal. For a more complete description and operating instructions of the audio panel, refer to the Garmin G1000 Cockpit Reference Guide.

(Continued Next Page)

## **AVIONICS SUPPORT EQUIPMENT** (Continued)

### **AUXILIARY AUDIO INPUT JACK** (Continued)

Since the entertainment audio input is not controlled by a switch, there is no way to deselect the entertainment source except to disconnect the source at the audio input connector. In the event of a high pilot workload and/or heavy traffic, it is wise to disable the entertainment audio to eliminate a source of distraction for the flight crew.

#### **NOTE**

- Passenger briefing should specify that AUX AUDIO IN (entertainment audio input) and Portable Electronic Device (PED) use is permitted only during the enroute phase of flight.
- Disconnect the cable from the AUX AUDIO IN jack when not in use.
- Use caution with audio cables in the cabin to avoid entangling occupants or cabin furnishings and to prevent damage to cables.

## AVIONICS SUPPORT EQUIPMENT (Continued)

### 12V POWER OUTLET

A power converter located on the cabin side of the firewall, forward of the right instrument panel, reduces the aircraft's 28 VDC power to 12 VDC. This converter provides up to 10 amps of power to operate portable devices such as notebook computers and audio players. The power output connector (POWER OUTLET 12V -10A) is located on the center pedestal (refer to Figure 7-2).

For airplanes 18281742 and On, a second power outlet connector (POWER OUTLET 12V - 10A) is located in the right sidewall by the aft passenger seat. A switch located on the switch panel labeled "CABIN PWR 12V" controls the operation of the power outlets.

#### NOTE

- Charging of lithium batteries may cause the lithium batteries to explode.
- Take care to observe the manufacturer's power requirements prior to plugging any device into the 12 volt Cabin Power System connector. This system is limited to a maximum of 10 amps, or if equipped with two connectors 10 amps total.
- Use caution with power/adaptor cables in the cabin to avoid entangling occupants or cabin furnishings and to prevent damage to cables supplying live electric current.
- Disconnect power/adaptor cables when not in use

### STATIC DISCHARGERS

Static wicks (static dischargers) are installed at various points throughout the airframe to reduce interference from precipitation static. Under some severe static conditions, loss of radio signals is possible even with static dischargers installed. Whenever possible, avoid known severe precipitation areas to prevent loss of dependable radio signals. If avoidance is impractical, minimize airspeed and anticipate temporary loss of radio signals while in these areas.

Static dischargers lose their effectiveness with age, and therefore, should be checked periodically (at least at every annual inspection) by a qualified technician.

## **CABIN FEATURES**

### **EMERGENCY LOCATOR TRANSMITTER (ELT)**

A remote switch/annunciator is installed on the top center location of the right front passenger instrument panel for control of the ELT from the flight crew station. The annunciator, which is in the center of the rocker switch, illuminates when the ELT transmitter is transmitting. The ELT emits an omni-directional signal on the international distress frequencies of 121.5 MHz and 243.0 MHz. General aviation and commercial aircraft, the FAA and CAP monitor 121.5 MHz, and 243.0 MHz is monitored by the military. For a basic overview of the ELT, refer to Section 9, Supplement 1.

### **CABIN FIRE EXTINGUISHER**

A portable Halon 1211 (Bromochlorodifluoromethane) fire extinguisher is installed in a holder on the floorboard between the front seats to be accessible in case of fire. The extinguisher is classified 5B:C by Underwriters Laboratories.

The extinguisher should be checked prior to each flight to ensure that the pressure of the contents, as indicated by the gage at the top of the extinguisher, is within the green arc (approximately 125 psi) and the operating lever lock pin is securely in place.

To operate the fire extinguisher:

1. Loosen retaining clamp(s) and remove extinguisher from bracket.
2. Hold extinguisher upright, pull operating ring pin, and press lever while directing the liquid at the base of the fire at the near edge. Progress toward the back of the fire by moving the nozzle rapidly with a side to side sweeping motion.

### **WARNING**

**VENTILATE THE CABIN PROMPTLY AFTER SUCCESSFULLY EXTINGUISHING THE FIRE TO REDUCE THE GASES PRODUCED BY THERMAL DECOMPOSITION.**

(Continued Next Page)



## **CABIN FEATURES** (Continued)

### **CABIN FIRE EXTINGUISHER** (Continued)

3. The contents of the cabin fire extinguisher will empty in approximately eight seconds of continuous use.

Fire extinguishers should be recharged by a qualified fire extinguisher agency after each use. Such agencies are listed under "Fire Extinguisher" in the telephone directory. After recharging, secure the extinguisher to its mounting bracket.

### **CARBON MONOXIDE DETECTION SYSTEM** (if installed)

The carbon Monoxide (CO) detection system consist of a single detector located behind the instrument panel, powered by the airplanes DC electrical system and integrated in the Garmin G1000 system with a warning annunciation and alert messages displayed on the PFD.

When the CO detection system senses a CO level of 50 parts per million (PPM) by volume or greater the alarm turns on a flashing warning annunciation CO LVL HIGH, in the annunciation window on the PFD with a continuous tone until the PFD softkey below WARNING is pushed. It then remains on steady until the CO level drops below 50 PPM and automatically resets the alarm.

If the CO system detects a problem within the system that requires service a CO DET SRVC message is displayed in the Alerts window of the PFD. If there is an interface problem between the G1000 system and the CO system a CO DET FAIL message is displayed in the Alerts window of the PFD.





**HANDLING SERVICE  
& MAINTENANCE**

# AIRPLANE HANDLING, SERVICE AND MAINTENANCE

## TABLE OF CONTENTS

	Page
Introduction .....	8-3
Identification Plate .....	8-4
Cessna Owner Advisories .....	8-4
United States Airplane Owners .....	8-4
International Airplane Owners .....	8-4
Publications .....	8-5
Airplane File .....	8-6
Airplane Inspection Periods .....	8-7
FAA Required Inspections .....	8-7
Cessna Inspection Programs .....	8-7
Cessna Customer Care Program .....	8-8
Pilot Conducted Preventive Maintenance .....	8-8
Alterations Or Repairs .....	8-9
Ground Handling .....	8-9
Towing .....	8-9
Parking .....	8-9
Tiedown .....	8-10
Jacking .....	8-10
Leveling .....	8-11
Flyable Storage .....	8-11
Servicing .....	8-12
Oil .....	8-13
Oil Specification .....	8-13
Recommended Viscosity For Temperature Range .....	8-13
Capacity Of Engine Sump .....	8-14
Oil And Oil Filter Change .....	8-14

(Continued Next Page)

**TABLE OF CONTENTS** (Continued)

	Page
Fuel .....	8-15
Approved Fuel Grades (And Colors) .....	8-15
Fuel Capacity .....	8-15
Fuel Additives .....	8-16
Fuel Contamination .....	8-20
Landing Gear .....	8-21
Cleaning And Care .....	8-21
Windshield And Windows .....	8-21
Painted Surfaces .....	8-22
Propeller Care .....	8-23
Engine Care .....	8-23
Interior Care .....	8-24
■ Avionics Care .....	8-24

## INTRODUCTION

This section contains factory recommended procedures for proper ground handling and routine care and servicing of your airplane. It also identifies certain inspection and maintenance requirements which must be followed if your airplane is to retain that new airplane performance and dependability. It is important to follow a planned schedule of lubrication and preventive maintenance based on climatic and flying conditions encountered in your local area.

Keep in touch with your local Cessna Service Station and take advantage of their knowledge and experience. Your Cessna Service Station knows your airplane and how to maintain it, and will remind you when lubrications and oil changes are necessary, as well as other seasonal and periodic services.

The airplane should be regularly inspected and maintained in accordance with information found in the airplane maintenance manual and in company issued service bulletins and service newsletters. All service bulletins pertaining to the aircraft by serial number should be accomplished and the airplane should receive repetitive and required inspections. Cessna does not condone modifications, whether by Supplemental Type Certificate or otherwise, unless these certificates are held and/or approved by Cessna. Other modifications may void warranties on the airplane since Cessna has no way of knowing the full effect on the overall airplane. Operation of an airplane that has been modified may be a risk to the occupants, and operating procedures and performance data set forth in the operating handbook may no longer be considered accurate for the modified airplane.

## **IDENTIFICATION PLATE**

All correspondence regarding your airplane should include the Serial Number. The Serial Number, Model Number, Production Certificate Number (PC) and Type Certificate Number (TC) can be found on the Identification Plate, located on the aft left tailcone. A secondary Identification Plate is also installed on the lower part of the left forward doorpost. Located adjacent to the secondary Identification Plate is the Finish and Trim Plate which contains a code describing the exterior paint combination of the airplane. The code may be used in conjunction with an applicable Illustrated Parts Catalog if finish and trim information is needed.

## **CESSNA OWNER ADVISORIES**

Cessna Owner Advisories are sent to Cessna Aircraft FAA Registered owners of record at no charge to inform them about mandatory and/or beneficial aircraft service requirements and product changes. Copies of the actual bulletins are available from Cessna Service Stations and Cessna Customer Service.

### **UNITED STATES AIRPLANE OWNERS**

If your airplane is registered in the U. S., appropriate Cessna Owner Advisories will be mailed to you automatically according to the latest aircraft registration name and address which you have provided to the FAA. Therefore, it is important that you provide correct and up-to-date mailing information to the FAA.

If you require a duplicate Owner Advisory to be sent to an address different from the FAA aircraft registration address, please complete and return an Owner Advisory Application (otherwise no action is required on your part).

### **INTERNATIONAL AIRPLANE OWNERS**

To receive Cessna Owner Advisories, please complete and return an Owner Advisory Application.

Receipt of a valid Owner Advisory Application will establish your Cessna Owner Advisory service for one year, after which you will be sent a renewal notice. It is important that you respond promptly to update your address for this critical service.



## **PUBLICATIONS**

Various publications and flight operation aids are furnished in the airplane when delivered from the factory. These items are listed below.

- Customer Care Program Handbook
- Pilot's Operating Handbook and FAA Approved Airplane Flight Manual
- Pilot's Checklist
- Passenger Briefing Card
- Cessna Sales and Service Directory

To obtain additional publications or owner advisory information, you may contact Cessna's Product Support Department at (316) 517-5800. Fax (316) 517-7271 or write to Cessna Aircraft Company, P.O. Box 7706, Wichita, KS 67277, Dept 751C.

The following additional publications, plus many other supplies that are applicable to your airplane, are available from your local Cessna Dealer.

- Information Manual (contains Pilot's Operating Handbook Information)
- Maintenance Manual, Wiring Diagram Manual and Illustrated Parts Catalog

Your local Cessna Service Station has a Customer Care Supplies and Publications Catalog covering all available items, many of which the Service Station keeps on hand. The Service Station can place an order for any item which is not in stock.

### **NOTE**

A Pilot's Operating Handbook and FAA Approved Airplane Flight Manual which is lost or destroyed may be replaced by contacting your local Cessna Service Station. An affidavit containing the owner's name, airplane serial number and reason for replacement must be included in replacement requests since the Pilot's Operating Handbook and FAA Approved Airplane Flight Manual is identified for specific serial numbered airplanes only.

## AIRPLANE FILE

There are miscellaneous data, information and licenses that are a part of the airplane file. The following is a checklist for that file. In addition, a periodic check should be made of the latest Federal Aviation Regulations to ensure that all data requirements are met.

To be displayed in the airplane at all times:

1. Aircraft Airworthiness Certificate (FAA Form 8100-2).
2. Aircraft Registration Certificate (FAA Form 8050-3).
3. Aircraft Radio Station License, (if applicable).

To be carried in the airplane at all times:

1. Current Pilot's Operating Handbook and FAA Approved Airplane Flight Manual.
2. Garmin G1000 Cockpit Reference Guide (190-00384-00 Rev. B or subsequent).
3. Weight and Balance, and associated papers (latest copy of the Repair and Alteration Form, FAA Form 337, if applicable).
4. Equipment List.

To be made available upon request:

1. Airplane Logbook.
2. Engine Logbook.

Most of the items listed are required by the United States Federal Aviation Regulations. Since the Regulations of other nations may require other documents and data, owners of airplanes not registered in the United States should check with their own aviation officials to determine their individual requirements.

Cessna recommends that these items, plus the Pilot's Checklists, Customer Care Program Handbook and Customer Care Card, be carried in the airplane at all times.

## **AIRPLANE INSPECTION PERIODS**

### **FAA REQUIRED INSPECTIONS**

As required by U.S. Federal Aviation Regulations, all civil aircraft of U.S. registry must undergo a complete inspection (annual) each twelve calendar months. In addition to the required annual inspection, aircraft operated commercially (for hire) must have a complete inspection every 100 hours of operation.

The FAA may require other inspections by the issuance of airworthiness directives applicable to the airplane, engine, propeller and components. It is the responsibility of the owner/operator to ensure compliance with all applicable airworthiness directives, and when the inspections are repetitive, to take appropriate steps to prevent inadvertent noncompliance.

### **CESSNA INSPECTION PROGRAMS**

In lieu of the 100 hour and annual inspection requirements, an airplane may be inspected in accordance with a Progressive Care Inspection Program or a PhaseCard Inspection Program. Both programs offer systems which allow the work load to be divided into smaller operations that can be accomplished in shorter time periods.

The Cessna Progressive Care Inspection Program allows an airplane to be inspected and maintained in four operations. The four operations are recycled each 200 hours and are recorded in a specially provided Aircraft Inspection Log as each operation is conducted.

The PhaseCard Inspection Program offers a parallel system for high-utilization flight operations (approximately 600 flight hours per year). This system utilizes 50 hour intervals (Phase 1 and Phase 2) to inspect high-usage systems and components. At 12 months or 600 flight hours, whichever occurs first, the airplane undergoes a complete (Phase 3) inspection.

Regardless of the inspection method selected, the owner should keep in mind that FAR Part 43 and FAR Part 91 establishes the requirement that properly certified agencies or personnel accomplish all required FAA inspections and most of the manufacturer recommended inspections.

### **CESSNA CUSTOMER CARE PROGRAM**

Specific benefits and provisions of the Cessna Warranty plus other important benefits for you are contained in your Customer Care Program Handbook supplied with your airplane. The Customer Care Program Handbook should be thoroughly reviewed and kept in the airplane at all times.

You will also want to return to your Cessna Service Station either at 50 hours for your first Progressive Care Operation, or at 100 hours for your first 100 hour inspection depending on which program you choose to establish for your airplane. While these important inspections will be performed for you by any Cessna Service Station, in most cases you will prefer to have the Cessna Service Station from whom you purchased the airplane accomplish this work.

### **PILOT CONDUCTED PREVENTIVE MAINTENANCE**

A certified pilot who owns or operates an airplane not used as an air carrier is authorized by FAR Part 43 to perform limited maintenance on his airplane. Refer to FAR Part 43 for a list of the specific maintenance operations which are allowed.

#### **NOTE**

Pilots operating airplanes of other than U.S. registry should refer to the regulations of the country of certification for information on preventive maintenance that may be performed by pilots.

A Maintenance Manual must be obtained prior to performing any preventive maintenance to ensure that proper procedures are followed. Your local Cessna Service Station should be contacted for further information or for required maintenance which must be accomplished by appropriately licensed personnel.

## **ALTERATIONS OR REPAIRS**

It is essential that the FAA be contacted prior to any alterations on the airplane to ensure that airworthiness of the airplane is not violated. Alterations or repairs to the airplane must be accomplished by licensed personnel, utilizing only FAA Approved components and FAA Approved data, such as Cessna Service Bulletins.

## **GROUND HANDLING**

### **TOWING**

The airplane is most easily and safely maneuvered by hand with the tow bar attached to the nosewheel (the tow bar is stowed on the side of the baggage area). When towing with a vehicle, do not exceed the nose gear turning angle of 29° either side of center, or damage to the nose landing gear will result.

### **CAUTION**

REMOVE ANY INSTALLED RUDDER LOCK  
BEFORE TOWING.

If the airplane is towed or pushed over a rough surface during hangaring, watch that the normal cushioning action of the nose strut does not cause excessive vertical movement of the tail and the resulting contact with low hangar doors or structure. A flat nose tire or deflated strut will also increase tail height.

### **PARKING**

When parking the airplane, head into the wind and set the parking brake. Do not set the parking brake during cold weather when accumulated moisture may freeze the brakes, or when the brakes are overheated. Install the control wheel lock and chock the wheels. In severe weather and high wind conditions, tie the airplane down as outlined in the following paragraph.

(Continued Next Page)

## **GROUND HANDLING** (Continued)

### **TIEDOWN**

Proper tiedown procedure is the best precaution against damage to the parked airplane by gusty or strong winds. To tiedown the airplane securely, proceed as follows:

1. Set the parking brake and install the control wheel lock.
2. Install a surface control lock over the fin and rudder.
3. Tie sufficiently strong ropes or chains (700 pounds tensile strength) to the wing, tail and nose tiedown fittings and secure each rope or chain to a ramp tiedown.
4. Install a pitot tube cover.

### **JACKING**

When a requirement exists to jack the entire airplane off the ground, or when wing jack points are used in the jacking operation, refer to the Maintenance Manual for specific procedures and equipment required.

Individual main gear may be jacked by using the jack pad which is incorporated in the main landing gear strut step bracket. When using the individual gear strut jack pad, flexibility of the gear strut will cause the main wheel to slide inboard as the wheel is raised, tilting the jack. The jack must then be lowered for a second jacking operation. Do not jack both main wheels simultaneously using the individual main gear jack pads.

### **CAUTION**

DO NOT APPLY PRESSURE ON THE ELEVATOR OR HORIZONTAL STABILIZER SURFACES. WHEN PUSHING ON THE TAILCONE, ALWAYS APPLY PRESSURE AT A BULKHEAD TO AVOID BUCKLING THE SKIN.

If nose gear maintenance is required, the nosewheel may be raised off the ground by pressing down on a tailcone bulkhead, just forward of the horizontal stabilizer, and allowing the tail to rest on the tail tiedown ring.

(Continued Next Page)

## **GROUND HANDLING** (Continued)

To assist in raising and holding the nosewheel off the ground, ground anchors should be utilized at the tail tiedown point.

### **NOTE**

Ensure that the nose will be held off the ground under all conditions by means of suitable stands or supports under weight supporting bulkheads near the nose of the airplane.

## **LEVELING**

Longitudinal leveling of the airplane is accomplished by placing a level on leveling screws located on the left side of the tailcone. Deflate the nose tire and/or lower or raise the nose strut to properly center the bubble in the level. Corresponding points on both upper door sills may be used to level the airplane laterally.

## **FLYABLE STORAGE**

Engines in airplanes that are flown every 30 days or less may not achieve normal service life because of internal corrosion. Corrosion occurs when moisture from the air and the products of combustion combine to attack cylinder walls and bearing surfaces during periods when the airplane is not flown.

The minimum recommended operating frequency for the engine is one continuous flight hour (not counting taxi, takeoff and landing time) with oil temperatures of 165°F to 200°F every 30 days or less (depending on location and storage conditions). Airplanes operated close to oceans, lakes, rivers and in humid regions are in greater need of engine preservation than airplanes operated in arid regions. Appropriate engine preservation procedures must be practiced by the owner or operator of the airplane based on present environmental conditions and the frequency of airplane activity.

### **NOTE**

The engine manufacturer does not recommend pulling the engine through by hand during storage periods.

(Continued Next Page)

## **GROUND HANDLING** (Continued)

### **FLYABLE STORAGE** (Continued)

If the airplane is to remain inactive for more than 30 days, consult the latest revision of Textron Lycoming Service Letter L180 ([www.lycoming.textron.com](http://www.lycoming.textron.com)).

It is recommended when storing the airplane for any period of time to keep fuel tanks full to minimize condensation in tanks. Keep the battery fully charged to prevent the electrolyte from freezing in cold weather. Refer to the Maintenance Manual for proper airplane storage procedures.

## **SERVICING**

In addition to the Preflight Inspection covered in Section 4 of this handbook, complete servicing, inspection and test requirements for your airplane are detailed in the Maintenance Manual. The Maintenance Manual outlines all items which require attention at specific intervals plus those items which require servicing, inspection, and/or testing at special intervals.

Since Cessna Service Stations conduct all service, inspection, and test procedures in accordance with applicable Maintenance Manuals, it is recommended that you contact your local Cessna Service Station concerning these requirements and begin scheduling your airplane for service at the recommended intervals.

Cessna Progressive Care ensures that these requirements are accomplished at the required intervals to comply with the 100 hour or annual inspection as previously covered.

Depending on various flight operations, your local government aviation agency may require additional service, inspections, or tests. For these regulatory requirements, owners should check with local aviation officials where the airplane is being operated.

For quick and ready reference, quantities, materials and specifications for frequently used service items are as follows.



## OIL

### OIL SPECIFICATION

MIL-L-6082 or SAE 1966 Aviation Grade Straight Mineral Oil: Used when the airplane was delivered from the factory and should be used to replenish the supply during the first 25 hours. This oil should be drained and filter replaced after the first 25 hours of operation. Refill the engine and continue to use until a total of 50 hours has accumulated or oil consumption has stabilized.

MIL-L-22851 or SAE J1899 Aviation Grade Ashless Dispersant Oil: Oil conforming to Textron Lycoming Service Instruction No. 1014, and all revisions and supplements thereto, must be used after first 50 hours or when oil consumption has stabilized.

### RECOMMENDED VISCOSITY FOR TEMPERATURE RANGE

Multiviscosity or straight grade oil may be used throughout the year for engine lubrication. Refer to the following table for temperature versus viscosity ranges.

Temperature	MIL-L-6082 or SAE J1899 Straight Mineral Oil SAE Grade	MIL-L-22851 or SAE J1899 Ashless Dispersant Oil SAE Grade
Above 27°C (80°F)	60	60
Above 16°C (60°F)	50	40 or 50
-1°C (30°F) to 32°C (90°F)	40	40
-18°C (0°F) to 21°C (70°F)	30	30, 40 or 20W-40
Below -12°C (10°F)	20	30 or 20W-30
-18°C (0°F) to 32°C (90°F)	20W-50	20W-50 or 15W-50
All Temperatures	----	15W-50 or 20W-50

(Continued Next Page)

## **OIL** (Continued)

### **CAPACITY OF ENGINE SUMP**

The engine has a total capacity of 9 quarts, with the oil filter accounting for approximately one quart of that total. The engine oil sump has a capacity of 8 quarts. The engine must not be operated on less than 4 quarts (as measured by the dipstick). For extended flights, the engine should be filled to capacity.

### **OIL AND OIL FILTER CHANGE**

After the first 25 hours of operation, drain the engine oil sump and replace the filter. Refill sump with straight mineral oil and use until a total of 50 hours has accumulated or oil consumption has stabilized; then change to ashless dispersant oil. Ashless dispersant oil (and oil filter) should then be changed at time intervals set forth by the engine manufacturer.

### **NOTE**

During the first 25 hour oil and filter change, a general inspection of the overall engine compartment is required. Items which are not normally checked during a preflight inspection should be given special attention. Hoses, metal lines and fittings should be inspected for signs of oil and fuel leaks, and checked for abrasions, chafing, security, proper routing and support, and evidence of deterioration. Inspect the intake and exhaust systems for cracks, evidence of leakage, and security of attachment. Engine controls and linkages should be checked for freedom of movement through their full range, security of attachment and evidence of wear. Inspect wiring for security, chafing, burning, defective insulation, loose or broken terminals, heat deterioration, and corroded terminals. Check the alternator belt in accordance with Maintenance Manual instructions, and retighten if necessary. A periodic check of these items during subsequent servicing operations is recommended.

## FUEL

### APPROVED FUEL GRADES (AND COLORS)

100LL Grade Aviation Fuel (Blue).  
100 Grade Aviation Fuel (Green).

#### NOTE

Isopropyl alcohol or diethylene glycol monomethyl ether (DiEGME) may be added to the fuel supply in quantities not to exceed 1% (alcohol) or 0.15% (DiEGME) of total volume. Refer to Fuel Additives in later paragraphs for additional information.

### FUEL CAPACITY

92.0 U.S. Gallons Total: 46.0 U.S. Gallons per tank.

#### NOTE

- To ensure maximum fuel capacity when refueling and minimize cross feeding, the fuel selector valve should be placed in either the LEFT or RIGHT position and the airplane parked in a wings level, normal ground attitude. Refer to Figure 1-1 for a definition of normal ground attitude.
- a Service the fuel system after each flight, and keep fuel tanks full to minimize condensation in the tanks.

(Continued Next Page)

## FUEL (Continued)

### FUEL ADDITIVES

Strict adherence to recommended preflight draining instructions as called for in Section 4 will eliminate any free water accumulations from the tank sumps. While small amounts of water may still remain in solution in the gasoline, it will normally be consumed and go unnoticed in the operation of the engine.

One exception to this can be encountered when operating under the combined effect of: (1) use of certain fuels, with (2) high humidity conditions on the ground (3) followed by flight at high altitude and low temperature. Under these unusual conditions, small amounts of water in solution can precipitate from the fuel stream and freeze in sufficient quantities to induce partial icing of the engine fuel system.

While these conditions are quite rare and will not normally pose a problem to owners and operators, they do exist in certain areas of the world and consequently must be dealt with, when encountered.

Therefore, to help alleviate the possibility of fuel icing occurring under these unusual conditions, it is permissible to add isopropyl alcohol or diethylene glycol monomethyl ether (DiEGME) compound to the fuel supply.

The introduction of alcohol or DiEGME compound into the fuel provides two distinct effects: (1) it absorbs the dissolved water from the gasoline and (2) alcohol has a freezing temperature depressant effect.

### NOTE

When using fuel additives, it must be remembered that the final goal is to obtain a correct fuel-to-additive ratio in the tank, and not just with fuel coming out of the refueling nozzle. For example, adding 15 gallons of correctly proportioned fuel to a tank which contains 20 gallons of untreated fuel will result in a lower-than-acceptable concentration level to the 35 gallons of fuel which now reside in the tank.

(Continued Next Page)

## FUEL (Continued)

Alcohol, if used, is to be blended with the fuel in a concentration of 1% by volume. Concentrations greater than 1% are not recommended since they can be detrimental to fuel tank materials.

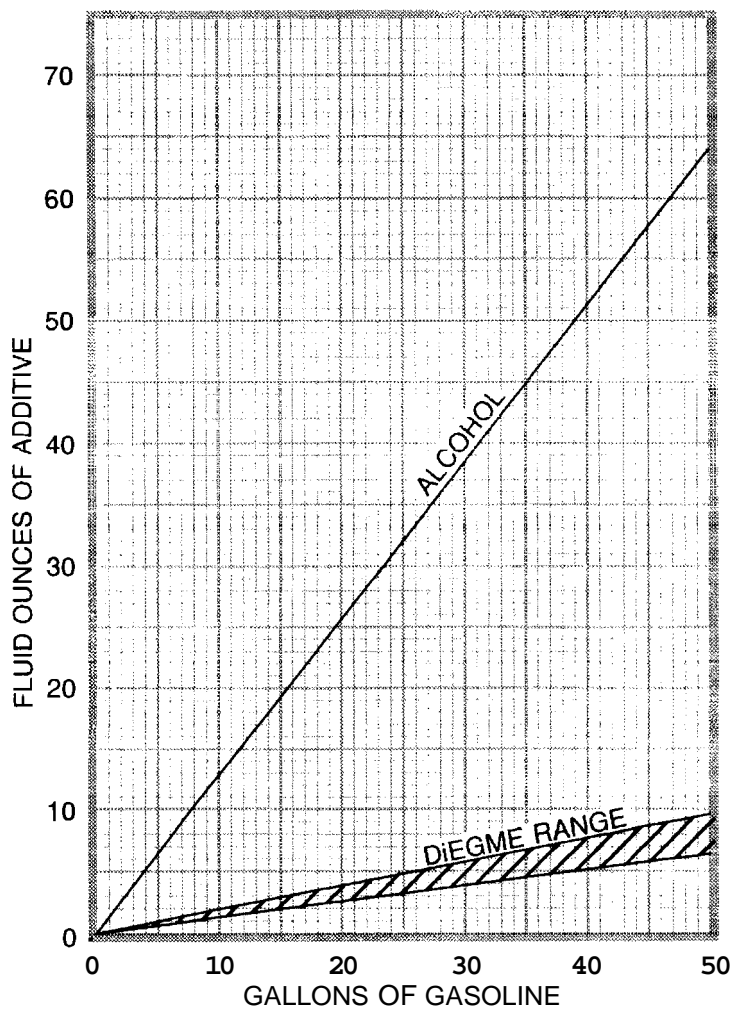
The manner in which the alcohol is added to the fuel is significant because alcohol is most effective when it is completely dissolved in the fuel. To ensure proper mixing, the following is recommended:

1. For best results, the alcohol should be added during the fueling operation by pouring the alcohol directly on the fuel stream issuing from the fueling nozzle.
2. An alternate method that may be used is to premix the complete alcohol dosage with some fuel in a separate clean container (approximately 2-3 gallon capacity) and then transferring this mixture to the tank prior to the fuel operation.

(Continued Next Page)

### FUEL MIXING RATIO

B3118



0585T1001

Figure 8-1

## FUEL (Continued)

Diethylene glycol monomethyl ether (DiEGME) compound must be carefully mixed with the fuel in concentrations between 0.10% (minimum) and 0.15% (maximum) of total fuel volume. Refer to Figure 8-1 for a DiEGME-to-fuel mixing chart.

### **WARNING**

**ANTI-ICING ADDITIVE IS DANGEROUS TO HEALTH WHEN BREATHED AND/OR ABSORBED INTO THE SKIN.**

### **CAUTION**

MIXING OF DiEGME WITH FUEL IS EXTREMELY IMPORTANT. A CONCENTRATION IN EXCESS OF THAT RECOMMENDED (0.15% BY VOLUME MAXIMUM) MAY RESULT IN DETRIMENTAL EFFECTS TO THE FUEL TANK AND SEALANT, AND DAMAGE TO O-RINGS AND SEALS USED IN THE FUEL SYSTEM AND ENGINE COMPONENTS. A CONCENTRATION OF LESS THAN THAT RECOMMENDED (0.10% BY TOTAL VOLUME MINIMUM) WILL RESULT IN INEFFECTIVE TREATMENT. USE ONLY BLENDING EQUIPMENT THAT IS RECOMMENDED BY THE MANUFACTURER TO OBTAIN PROPER PROPORTIONING.

Prolonged storage of the airplane will result in a water buildup in the fuel which "leeches out" the additive. An indication of this is when an excessive amount of water accumulates in the fuel tank sumps. The concentration can be checked using a differential refractometer. It is imperative that the technical manual for the differential refractometer be followed explicitly when checking the additive concentration.

(Continued Next Page)

## **FUEL** (Continued)

### **FUEL CONTAMINATION**

Fuel contamination is usually the result of foreign material present in the fuel system, and may consist of water, rust, sand, dirt, microbes or bacterial growth. In addition, additives that are not compatible with fuel or fuel system components can cause the fuel to become contaminated.

Before each flight and after each refueling, use a clear sampler cup and drain at least a cupful of fuel from each fuel tank drain location and from the fuel strainer quick drain valve to determine if contaminants are present, and to ensure the airplane has been fueled with the proper grade of fuel.

If contamination is detected, drain **all** fuel drain points again, including the fuel selector drain valve, and then gently rock the wings and lower the tail to the ground to move any additional contaminants to the sampling points. Take repeated samples from all fuel drain points until **all** contamination has been removed. If, after repeated sampling, evidence of contamination still exists, the airplane should not be flown. Tanks should be drained and system purged by qualified maintenance personnel. All evidence of contamination must be removed before further flight. If the airplane has been serviced with the improper fuel grade, defuel completely and refuel with the correct grade. Do not fly the airplane with contaminated or unapproved fuel.

In addition, Owners/Operators who are not acquainted with a particular fixed base operator should be assured that the fuel supply has been checked for contamination and is properly filtered before allowing the airplane to be serviced. Fuel tanks should be kept full between flights, provided weight and balance considerations will permit, to reduce the possibility of water condensing on the walls of partially filled tanks.

To further reduce the possibility of contaminated fuel, routine maintenance of the fuel system should be performed in accordance with the airplane Maintenance Manual. Only the proper fuel, as recommended in this handbook, should be used, and fuel additives should not be used unless approved by Cessna and the Federal Aviation Administration.



## LANDING GEAR

Consult the following table for servicing information on the landing gear.

COMPONENT	SERVICING CRITERIA
Nosewheel (5.00-5, 6-Ply Rated Tire)	49.0 PSI
Main Wheel (6.00-6, 6-Ply Rated Tire)	42.0 PSI
Brakes	MIL-H-5606
Nose Gear Shock Strut	MIL-H-5606; 55.0-60.0 PSI*

- Keep strut filled with MIL-H-5606 hydraulic fluid per filling instructions placard, and with no load on the strut, inflate with air to 55.0-60.0 PSI. Do not over inflate.

## CLEANING AND CARE

### WINDSHIELD AND WINDOWS

The plastic windshield and windows should be cleaned with an aircraft windshield cleaner. Apply the cleaner sparingly with soft cloths, and rub with moderate pressure until all dirt, oil scum and bug stains are removed. Allow the cleaner to dry, then wipe it off with soft flannel cloths.

### CAUTION

NEVER USE GASOLINE, BENZENE, ALCOHOL, ACETONE, FIRE EXTINGUISHER, ANTI-ICE FLUID, LACQUER THINNER OR GLASS CLEANER TO CLEAN THE PLASTIC. THESE MATERIALS WILL ATTACK THE PLASTIC AND MAY CAUSE IT TO CRAZE.

If a windshield cleaner is not available, the plastic can be cleaned with soft cloths moistened with Stoddard solvent to remove oil and grease.

(Continued Next Page)

## **CLEANING AND CARE** (Continued)

Follow by carefully washing with a mild detergent and plenty of water. Rinse thoroughly, then dry with a clean moist chamois. Do not rub the plastic with a dry cloth since this builds up an electrostatic charge which attracts dust. Waxing with a good commercial wax will finish the cleaning job. A thin, even coat of wax, polished out by hand with clean soft flannel cloths, will fill in minor scratches and help prevent further scratching.

Do not use a canvas cover on the windshield unless freezing rain or sleet is anticipated since the cover may scratch the plastic surface.

### **PAINTED SURFACES**

The painted exterior surfaces of your new Cessna have a durable, long lasting finish.

Generally, the painted surfaces can be kept bright by washing with water and mild soap, followed by a rinse with water and drying with cloths or a chamois. Harsh or abrasive soaps or detergents which cause corrosion or scratches should never be used. Remove stubborn oil and grease with a cloth moistened with Stoddard solvent. Take special care to make sure that the exterior graphics are not touched by the solvent. For complete care of exterior graphics, refer to the Maintenance Manual.

To seal any minor surface chips or scratches and protect against corrosion, the airplane should be waxed regularly with a good automotive wax applied in accordance with the manufacturer's instructions. If the airplane is operated in a seacoast or other salt water environment, it must be washed and waxed more frequently to assure adequate protection. Special care should be taken to seal around rivet heads and skin laps, which are the areas most susceptible to corrosion. A heavier coating of wax on the leading edges of the wings and tail and on the cowl nose cap and propeller spinner will help reduce the abrasion encountered in these areas. Reapplication of wax will generally be necessary after cleaning with soap solution or after chemical deicing operations.

(Continued Next Page)

## **CLEANING AND CARE** (Continued)

### **PAINTED SURFACES** (Continued)

When the airplane is parked outside in cold climates and it is necessary to remove ice before flight, care should be taken to protect the painted surfaces during ice removal with chemical liquids. Isopropyl alcohol will satisfactorily remove ice accumulations without damaging the paint. However, keep the isopropyl alcohol away from the windshield and cabin windows since it will attack the plastic and may cause it to craze.

### **PROPELLER CARE**

Preflight inspection of propeller blades for nicks, and wiping them occasionally with an oily cloth to clean off grass and bug stains will assure long blade life. Small nicks on the propeller, particularly near the tips and on the leading edges, should be dressed out as soon as possible since these nicks produce stress concentrations, and if ignored, may result in cracks or failure of the propeller blade. Never use an alkaline cleaner on the blades; remove grease and dirt with Stoddard solvent.

### **ENGINE CARE**

The engine may be cleaned, using a suitable solvent, in accordance with instructions in the airplane Maintenance Manual. Most efficient cleaning is done using a spray type cleaner. Before spray cleaning, ensure that protection is afforded for components which might be adversely affected by the solvent. Refer to the Maintenance Manual for proper lubrication of controls and components after engine cleaning. The induction air filter should be replaced when its condition warrants, not to exceed 500 hours.

(Continued Next Page)

## **CLEANING AND CARE** (Continued)

### **INTERIOR CARE**

To remove dust and loose dirt from the upholstery and carpet, clean the interior regularly with a vacuum cleaner.

Blot up any spilled liquid promptly with cleansing tissue or rags. Don't pat the spot; press the blotting material firmly and hold it for several seconds. Continue blotting until no more liquid is taken up. Scrape off sticky materials with a dull knife, then spot clean the area.

Oily spots may be cleaned with household spot removers, used sparingly. Before using any solvent, read the instructions on the container and test it on an obscure place on the fabric to be cleaned. Never saturate the fabric with a volatile solvent; it may damage the padding and backing materials.

Soiled upholstery and carpet may be cleaned with foam type detergent, used according to the manufacturer's instructions. To minimize wetting the fabric, keep the foam as dry as possible and remove it with a vacuum cleaner.

For complete information related to interior cleaning, refer to the Maintenance Manual.

### **AVIONICS CARE**

The Garmin GDU 1040 displays have an anti-reflective coating that is very sensitive to skin oils, waxes, ammonia, and abrasive cleaners. Clean the displays as described in the G1000 Cockpit Reference Guide.

**SUPPLEMENTS**



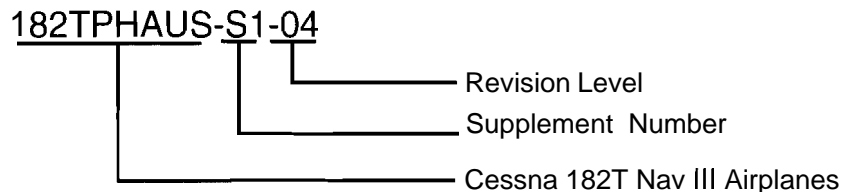
# SUPPLEMENTS

## INTRODUCTION

The supplements in this section contain expanded operational procedures for both standard and optional equipment installed in the airplane. Operators should refer to each supplement to ensure that all limitations and procedures appropriate for their airplane are observed.

A Log Of Approved Supplements is provided, for convenience only, beginning on page Log 1 and is a numerical list of all supplements applicable to this airplane by name, number and revision level. This log should be used as a checklist to ensure all applicable supplements have been placed in the Pilot's Operating Handbook (POH). Supplements may be removed from the POH provided the equipment is not installed on the airplane. If equipment is installed on the airplane, however, the supplement(s) must be retained and updated as revisions to each supplement are issued.

Each individual supplement contains its own Log of Effective Pages. This log lists the page number and effective date of every page in the supplement. The log also lists the dates on which revisions to the supplement occurred. Additionally, the part number of the supplement provides information on the revision level. Refer to the following example:







## LOG OF APPROVED SUPPLEMENTS

### NOTE

IT IS THE AIRPLANE OWNER'S RESPONSIBILITY TO MAKE SURE THAT HE OR SHE HAS THE LATEST REVISION TO EACH SUPPLEMENT OF A PILOT'S OPERATING HANDBOOK, AND THE LATEST ISSUED "LOG OF APPROVED SUPPLEMENTS". THIS "LOG OF APPROVED SUPPLEMENTS" WAS THE LATEST VERSION AS OF THE DATE IT WAS SHIPPED BY CESSNA; HOWEVER, SOME CHANGES MAY HAVE OCCURRED, AND THE OWNER SHOULD VERIFY THIS IS THE LATEST, MOST UP-TO-DATE VERSION BY CONTACTING CESSNA CUSTOMER SUPPORT AT (316) 517-5800.

Supplement Number	Name	Revision Level	Equipment Installed
1	Pointer Model 3000-11 or Model 4000-11 Emergency Locator Transmitter (ELT)	1	x
2	Canadian Supplement	0	
3	Bendix/King KAP 140 2 Axis Autopilot	1	x
4	L3 Communications WX-500 Stormscope®	0	x
5	Brazilian Certified Airplanes	1	
6	Reserved		
7	Artex C406-N Emergency Locator Transmitter (ELT)	0	
8	Bendix/King KR87 Automatic Direction Finder (ADF)	0	
9	Argentine Certified Airplanes	0	



**Pilot's Operating Handbook and  
FAA Approved Airplane Flight Manual**

**CESSNA MODEL 182T**

**NAV III AVIONICS OPTION**

**SUPPLEMENT 1**

**POINTER MODEL 3000-11 OR MODEL 4000-11  
EMERGENCY LOCATOR TRANSMITTER**

SERIAL NO. _____
REGISTRATION NO. _____

This supplement must be inserted into Section 9 of the Pilot's Operating Handbook and FAA Approved Airplane Flight Manual when the Pointer Model 3000-11 or Model 4000-11 Emergency Locator Transmitter is installed. The Pointer Model 4000-11 Emergency Locator Transmitter is approved for use only in the USA, Canada, Japan and France.

**APPROVED BY**  
FAA APPROVED UNDER FAR 21 SUBPART J  
The Cessna Aircraft Co.  
Delegation Option Authorization DOA-100128-CB

*Michael D. Hickey* Executive Engineer  
*JD*

 Member of GAMA

DATE OF APPROVAL 03 JUNE 2004

**3 JUNE 2004**

COPYRIGHT © 2004  
CESSNA AIRCRAFT COMPANY  
WICHITA, KANSAS, USA

REVISION 1 19 SEPTEMBER 2005

182TPHAUS-S1-01

U.S. S1-1

## SUPPLEMENT 1

### POINTER MODEL 3000-11 OR MODEL 4000-11 EMERGENCY LOCATOR TRANSMITTER (ELT)

Use the Log of Effective Pages to determine the current status of this supplement.

Pages affected by the current revision are indicated by an asterisk (\*) preceding the page number.

<u>Supplement Status</u>	<u>Date</u>
Original Issue	3 June 2004
Revised	19 September 2005

#### LOG OF EFFECTIVE PAGES

---

Page Number	Page Status	Revision Number
* S1-1 thru S1-2	Revised	1
S1-3	Original	0
* S1-4	Revised	1
S1-5 thru S1-12	Original	0

APPROVEDBY

FAA APPROVED UNDER 14 CFR PART 21 SUBPART J  
CESSNA AIRCRAFT CO.  
Delegation of Authority Authorization DCA-200804-CE

*Michael D. Nishley* DCA Administrator

DATE OF APPROVAL 09-19-05

FAA APPROVED  
182TPHAUS-S1-01

## SERVICE BULLETIN CONFIGURATION LIST

The following is a list of Service Bulletins that are applicable to the operation of the airplane, and have been incorporated into this supplement. This list contains only those Service Bulletins that are currently active.

<u>Number</u>	<u>Title</u>	<u>Airplane</u> <u>Serial</u> <u>Effectivity</u>	<u>Revision</u> <u>Incorporated</u>	<u>Incorporated</u> <u>in Airplane</u>
---------------	--------------	--	--	---

**POINTER MODEL 3000-11 OR 4000-11  
EMERGENCY LOCATOR TRANSMITTER (ELT)**

**GENERAL**

This supplement provides information which must be observed when operating the Pointer Model 3000-11 or 4000-11 Emergency Locator Transmitter. The Pointer Model 4000-11 Emergency Locator Transmitter is approved for use only in the USA, Canada, Japan and France.

Both the Pointer Model 3000-11 ELT (which incorporates the English placard) and Model 4000-11 ELT (which incorporates the bilingual placard) consist of a self-contained, dual-frequency, solid-state transmitter powered by a battery pack consisting of five alkaline "C" cell batteries and is automatically activated by a deceleration sensing inertia "G" switch, which is designed to activate when the unit senses longitudinal inertia forces as required in TSO-C91A. Also, a remote switch annunciator is installed on the top right hand side of the copilot's instrument panel for control of the ELT from the flight crew station. The annunciator, which is in the center of the rocker switch, comes on when the ELT transmitter is transmitting. The ELT emits an omni-directional signal on the international distress frequencies of 121.5 MHz and 243.0 MHz. General aviation and commercial aircraft, the FAA and CAP monitor 121.5 MHz, and 243.0 MHz is monitored by the military.

The ELT is contained in a high impact, fire retardant, fiberglass filled Lexan case with carrying handle and is mounted behind the aft cabin partition wall on the right side of the tailcone. To gain access to the unit, unfasten the turn fasteners on the aft cabin partition. The ELT is operated by a control panel at the forward facing end of the unit or by the remote switch annunciator located on the top right hand portion of the copilot's instrument panel (refer to Figure S1-1).

Power for the transmitter is provided by an alkaline battery pack inside the transmitter case.

(Continued Next Page)

## GENERAL (CONTINUED)

In accordance with FAA regulations, the ELT's battery pack must be replaced after 2 years shelf or service life or for any of the following reasons:

- a. After the transmitter has been used in an emergency situation (including any inadvertent activation of unknown duration).
- b. After the transmitter has been operated for more than one cumulative hour (e.g. time accumulated in several tests and inadvertent activation of known duration).
- c. On or before battery replacement date. Battery replacement date is marked on the battery pack and the label on the transmitter.

### POINTER MODEL 3000-11 EMERGENCY LOCATOR TRANSMITTER

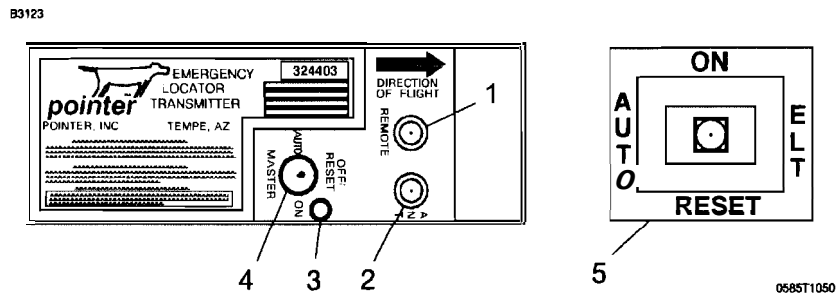


Figure S1-1

1. REMOTE CABLE JACK - Connects to ELT remote switch/annunciator located on the copilot's instrument panel.
2. ANTENNA RECEPTACLE - Connects to antenna mounted on top of tailcone.
3. TRANSMITTER ANNUNCIATOR LIGHT - comes on red to indicate the transmitter is transmitting a distress signal.

(Continued Next Page)

**GENERAL** (CONTINUED)

4. MASTER FUNCTION SELECTOR SWITCH (3-position toggle switch):
- AUTO - Arms transmitter for automatic activation if "G" switch senses a predetermined deceleration level.
  - ON - Activates transmitter instantly. Used for test purposes and if "G" switch is inoperative. The ON position bypasses the automatic activation switch. (The red annunciator in the center of the remote switch1 annunciator should come on).
  - OFF/  
RESET - Deactivates transmitter during handling, following rescue and to reset the automatic activation function. (The red annunciator in the center of the remote switchlannunciator should go off).
5. REMOTE SWITCH/ANNUNCIATOR (3-position rocker switch):
- ON - Remotely activates the transmitter for test or emergency situations. Red annunciator in center of rocker switch comes on to indicate that the transmitter is transmitting a distress signal.
  - AUTO - Arms transmitter for automatic activation if "G" switch senses a predetermined deceleration level.
  - RESET - Deactivates and rearms transmitter after automatic activation by the "G" switch. Red annunciator in center of rocker switch should go off.

(Continued Next Page)



**GENERAL (CONTINUED)**

**POINTER MODEL 4000-11  
EMERGENCY LOCATOR TRANSMITTER**

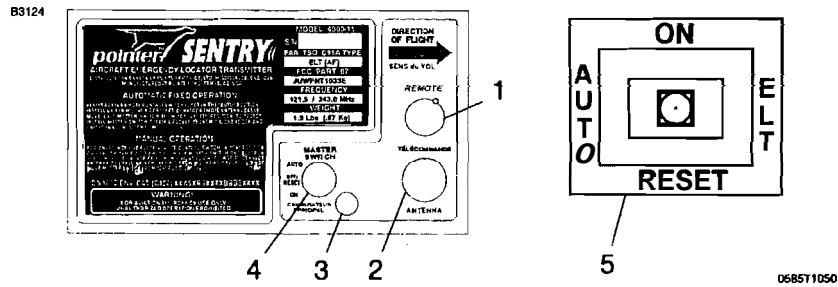


Figure S1-2

1. REMOTE CABLE JACK - Connects to ELT remote switch1 annunciator located on the copilot's instrument panel.
2. ANTENNA RECEPTACLE - Connects to antenna mounted on top of tailcone.
3. TRANSMITTER ANNUNCIATOR LIGHT - comes on red to indicate the transmitter is transmitting a distress signal.
4. MASTER FUNCTION SELECTOR SWITCH (3-position toggle switch):
  - AUTO - Arms transmitter for automatic activation if "G" switch senses a predetermined deceleration level.
  - ON - Activates transmitter instantly. Used for test purposes and if "G" switch is inoperative. The ON position bypasses the automatic activation switch. (The red annunciator in the center of the remote switch1 annunciator should come on).
  - OFF/  
RESET - Deactivates transmitter during handling, following rescue and to reset the automatic activation function. (The red annunciator in the center of the remote switch1annunciator should go off).

(Continued Next Page)

## **GENERAL (CONTINUED)**

### 5. REMOTE SWITCH/ANNUNCIATOR (3-position rocker switch):

- ON - Remotely activates the transmitter for test or emergency situations. Red annunciator in center of rocker switch comes on to indicate that the transmitter is transmitting a distress signal.
- AUTO - Arms transmitter for automatic activation if "G" switch senses a predetermined deceleration level.
- RESET - Deactivates and rearms transmitter after automatic activation by the "G" switch. Red annunciator in center of rocker switch should go off.

## **OPERATING LIMITATIONS**

Refer to Section 2 of the Pilot's Operating Handbook and FAA Approved Flight Manual (POH/AFM).

## **EMERGENCY PROCEDURES**

Before performing a forced landing, especially in remote and mountainous areas, activate the ELT transmitter by positioning the remote switch/annunciator to the ON position. The annunciator in center of the rocker switch should be illuminated.

Immediately after a forced landing where emergency assistance is required, the ELT should be utilized as follows:

### **NOTE**

The ELT remote switch/annunciator system could be inoperative if damaged during a forced landing. If inoperative, the inertia "G" switch will activate automatically. However, to turn the ELT OFF and ON again requires manual switching of the master function selector switch which is located on the ELT unit.

(Continued Next Page)

## **EMERGENCY PROCEDURES (CONTINUED)**

1. VERIFY ELT ACTIVATION:
  - a. Position remote switch/annunciator to the ON position even if annunciator light is already on.
  - b. If airplane radio is operable and can be safely used (no threat of fire or explosion), turn ON and select 121.5 MHz. If the ELT can be heard transmitting, it is working properly.
  - c. Ensure that antenna is clear of obstructions.

### **NOTE**

When the ELT is activated, a decreasing tone will be heard before the typical warbling tone begins.

2. PRIOR TO SIGHTING RESCUE AIRCRAFT - Conserve airplane battery. Do not activate radio transceiver.
3. AFTER SIGHTING RESCUE AIRCRAFT - Position remote switch/annunciator to the RESET position and release to the AUTO position to prevent radio interference. Attempt contact with rescue aircraft with the radio transceiver set to a frequency of 121.5 MHz. If no contact is established, return the remote switch/annunciator to the ON position immediately.
4. FOLLOWING RESCUE - Position remote switch/annunciator to the AUTO position, terminating emergency transmissions.

## NORMAL PROCEDURES

When the remote switchlannunciator is in the AUTO position and the ELT master function selector switch remains in the AUTO position, the ELT automatically activates when the unit senses longitudinal inertia forces as required in TSO-C91A.

After a lightning strike, or an exceptionally hard landing, the ELT may activate although no emergency exists. If the remote **switch/**annunciator comes on, the ELT has inadvertently activated itself. Another way to check is to select 121.5 MHz on the radio transceiver and listen for an emergency tone transmission. If the remote switchlannunciator is on or an emergency tone is heard, position the remote switchlannunciator in the RESET position and release to the AUTO position.

The ELT must be serviced in accordance with FAR Part 91.207.

## INSPECTION/TEST

1. The emergency locator transmitter should be tested every 100 hours.

### NOTE

Test should only be conducted within the first 5 minutes of each hour.

2. Disconnect antenna cable from ELT.
3. Set the MASTER switch BAT in the ON position.
4. Turn airplane transceiver ON and set frequency to 121.5 MHz.
5. Place remote switchlannunciator in the ON position. The annunciator should come on. Permit **only** three emergency tone transmissions, then immediately reposition the remote switchlannunciator to the RESET position and release to the AUTO position.

(Continued Next Page)

## **NORMAL PROCEDURES (CONTINUED)**

6. Place the ELT master function selector switch in the ON position. Verify that the transmitter annunciator light on the ELT and the remote switch annunciator on the instrument panel are on.
7. Place the ELT master function selector switch in the OFF/RESET position.
8. Reposition ELT master function selector switch to AUTO.
9. Reconnect antenna cable to ELT.

### **WARNING**

**A TEST WITH THE ANTENNA CONNECTED SHOULD BE APPROVED AND CONFIRMED BY THE NEAREST CONTROL TOWER.**

### **NOTE**

Without its antenna connected, the ELT will produce sufficient signal to reach the airplane transceiver, yet it will not disturb other communications or damage output circuitry.

After accumulated test or operation time equals 1 hour, battery pack replacement is required.

### **IN-FLIGHT MONITORING AND REPORTING**

Pilot's are encouraged to monitor 121.5 MHz and/or 243.0 MHz while in flight to assist in identifying possible emergency ELT transmissions. On receiving a signal, report the following information to the nearest air traffic control facility:

1. Your position at the time the signal was first heard.
2. Your position at the time the signal was last heard.
3. Your position at maximum signal strength.
4. Your flight altitude and frequency on which the emergency signal was heard - 121.5 MHz or 243.0 MHz. If possible, positions should be given relative to a navigation aid. If the aircraft has homing equipment, provide the bearing to the emergency signal with each reported position.

## **PERFORMANCE**

There is no change in airplane performance when the Pointer Model 3000-11 or 4000-11 Emergency Locator Transmitter (ELT) is installed.



**Pilot's Operating Handbook and  
FAA Approved Airplane Flight Manual**

**CESSNA MODEL 182T**

**NAV III AIRPLANES**

**SUPPLEMENT 2**

**CANADIAN**

**SUPPLEMENT**

SERIAL NO. _____
REGISTRATION NO. _____

This supplement must be inserted into Section 9 of the Pilot's Operating Handbook and FAA Approved Airplane Flight Manual when used for Canadian Operation.

**APPROVED BY**

FAA APPROVED UNDER FAR 21 SUBPART J  
W16 Cessna Aircraft Co.  
Delegation Option Authorization DOA-100129-CE

*Michael D. Holley* Executive Engineer  
MD

DATE OF APPROVAL 03 JUNE 2004

 Member of GAMA

**3 JUNE 2004**

COPYRIGHT © 2004  
CESSNA AIRCRAFT COMPANY  
WICHITA, KANSAS, USA

182TPHAUS-S2-00

U.S. S2-1

## **SUPPLEMENT 2**

### **CANADIAN SUPPLEMENT**

Use the Log of Effective Pages to determine the current status of this supplement.

Pages affected by the current revision are indicated by an asterisk (\*) preceding the page number.

Supplement Status	Date
Original Issue	3 June 2004

#### **LOG OF EFFECTIVE PAGES**

---

Page Number	Page Status	Revision Number
S2-1 thru S2-4	Original	0

S2-2 U.S.

FAA APPROVED  
182TPHAUS-S2-00



## SERVICE BULLETIN CONFIGURATION LIST

The following is a list of Service Bulletins that are applicable to the operation of the airplane, and have been incorporated into this supplement. This list contains only those Service Bulletins that are currently active.

<u>Number</u>	<u>Title</u>	<u>Airplane Serial Effectivity</u>	<u>Revision Incorporated</u>	<u>Incorporated in Airplane</u>
---------------	--------------	--	----------------------------------	-------------------------------------

## CANADIAN SUPPLEMENT

### GENERAL

This supplement is required for Canadian operation of Cessna Model 182T With Nav III Avionics option.

#### NOTE

In Canada, FAA operating rules (i.e., FAR 91 and FAR 135) are not applicable. The airplane must be equipped and operated in accordance with Transport Canada.

### OPERATING LIMITATIONS

The following placard must be installed.

1. Near the fuel tank filler cap:

<p style="text-align: center;"><b>FUEL</b> <b>100LL/100 MIN. GRADE AVIATION GASOLINE</b> <b>CAP. 3.5 U.S. GAL. (164 LITERS) USABLE</b> <b>CAP. 37 U.S. GAL. (140 LITERS) USABLE TO LINE</b> <b>OF HOLES INSIDE FILLER INDICATOR TAB.</b> <b>CAP. 32 U.S. GAL. (121 LITERS) USABLE TO BOTTOM</b> <b>OF FILLER INDICATOR TAB.</b></p>
---

### EMERGENCYPROCEDURES

There is no change to the airplane emergency procedures when used for Canadian operation.

### NORMAL PROCEDURES

There is no change to the airplane normal procedures when used for Canadian operation.

### PERFORMANCE

There is no change to the airplane performance when used for Canadian operation.



**Pilot's Operating Handbook and  
FAA Approved Airplane Flight Manual**

**CESSNA MODEL 182T  
NAV III AVIONICS OPTION**

**SUPPLEMENT 3**

**BENDIX/KING KAP 140  
2 AXIS AUTOPILOT**

SERIAL NO. _____
REGISTRATION NO. _____

This supplement must be inserted into Section 9 of the Pilot's Operating Handbook and FAA Approved Airplane Flight Manual when the KAP 140 2 Axis Autopilot System is installed.

**APPROVED BY**

FAA APPROVED UNDER FAR 21 SUBPART J  
The Cessna Aircraft Co.  
Delegation Order Authorization DCA-180128-CE

*Michael W. Kelly* Executive Engineer

DATE OF APPROVAL 06-16-04



Member of GAMA

**16 JUNE 2004**

COPYRIGHT © 2004  
CESSNA AIRCRAFT COMPANY  
WICHITA, KANSAS, USA

182TPHAUS-S3-01

REVISION 1

24 JUNE 2004

S3-1

# SUPPLEMENT 3

## BENDIX/KING KAP 140 2 AXIS AUTOPILOT

Use the Log of Effective Pages to determine the current status of this supplement.

Pages affected by the current revision are indicated by an asterisk (\*) preceding the page number.

Supplement Status	Date
Original	16 June 2004
Revision 1	24 June 2004

### LOG OF EFFECTIVE PAGES

---

Page Number	Page Status	Revision Number
* S3-1 thru S3-2	Revised	1
S3-3 thru S3-32	Original	0
* S3-33	Revised	1
S3-34 thru S3-37	Original	0
* S3-38	Revised	1
S3-39	Original	0
* S3-40 thru S3-44	Revised	1

APPROVEDBY

FAA APPROVED UNDER FAR 21 SUBPART J  
The Cessna Aircraft Co.  
Delegation Option Authorization DOA-100128-CE

*Michael N. Hickey* Executive Engineer

DATE OF APPROVAL

24 JUNE 2004

S3-2 U.S.

FAA APPROVED  
182TPHAUS-S3-01

## SERVICE BULLETIN CONFIGURATION LIST

The following is a list of Service Bulletins that are applicable to the operation of the airplane, and have been incorporated into this supplement. This list contains only those Service Bulletins that are currently active.

<u>Number</u>	<u>Title</u>	<u>Airplane Serial Effectivity</u>	<u>Revision Incorporated</u>	<u>Incorporated in Airplane</u>
---------------	--------------	--	----------------------------------	-------------------------------------

## **BENDIX/KING KAP 140 2 AXIS AUTOPILOT**

### **GENERAL**

The Bendix/King KAP 140 2-Axis Autopilot provides the following modes of operation:

1. Roll (ROL) mode - keeps the wings level,
2. Vertical Speed (VS) mode - holds the climb or descent rate at the moment the autopilot is engaged or a manually-set climb or descent rate. Controlled using the UP and DN buttons.

#### **NOTE**

The autopilot can hold a set vertical speed only if engine power and airplane weight will let it. If the vertical speed set on the autopilot is more than the airplane can supply and airspeed decreases sufficiently, the airplane can be made to stall. Make sure that the vertical speed set on the autopilot results in airplane performance that stays in the operating limitations of both the autopilot and the airplane.

3. Altitude Hold (ALT) mode - holds a set altitude using combined engine power, pitch and pitch trim control.
4. Heading (HDG) mode - holds the magnetic heading set using the HDG bug on the G1000 Primary Flight Display (PFD) HSI.
5. Navigation (NAV) mode - locks on a course set using the CRS knob when a valid VHF navigation source (NAV 1 or NAV 2) is shown on the G1000 HSI, when GPS is set as the HSI navigation source and the GPS is operating in OBS mode, or when the course is set automatically using GPS direct-to or flight plan (FPL) navigation and GPS is shown on the G1000 HSI.

(Continued Next Page)

## **GENERAL** (Continued)

6. Approach (APR) mode - locks on-course with greater sensitivity than NAV mode. APR mode is used to lock on the final approach course (to the Final Approach Fix) to start the final approach segment of the procedure. While operating on an intercept heading or course in either HDG or NAV mode, APR mode is set or "armed" (ARM) to lock on to the final approach course. APR mode will work for VOR, LOC and ILS approaches using either the NAV 1 or NAV 2 VHF navigation radios with the correct signal, the applicable radio set as the navigation source on the HSI and the correct course (CRS) set on the HSI. APR mode will automatically lock on the glideslope (GS) using vertical speed mode during ILS approaches. APR supplies vertical guidance only for ILS approaches, and then only when established on the localizer before glideslope intercept. This mode also works for GPS or RNAV/GPS approaches when GPS is set as the navigation source on the HSI.

The KAP 140 Autopilot gives the pilot Altitude Preselect and Altitude Alert functions. The Altitude Preselect function lets the pilot set a limit or "target" altitude before starting a climb or descent. The KAP 140 will climb or descend, as applicable, at the set vertical speed and will return to level flight at the altitude selection. The autopilot will supply an Altitude Alert (an electronic sound or "tone") at 1000 feet before the altitude selection or when altitude changes more than 200 feet from the altitude selection.

The KAP 140 Autopilot Elevator Trim System supplies automatic adjustment of elevator trim during autopilot operation and, when the autopilot is not engaged, gives the pilot a manual electric elevator trim (MET) function (using the DN-UP Switches on the Control Wheel). The Elevator Trim system is designed to fail to a safe condition (fail-safe) for any single trim system malfunction during flight. Trim system malfunctions produce warning annunciations on the face of the autopilot and on the G1000 PFD.

(Continued Next Page)

## **GENERAL** (Continued)

A locking device prevents the autopilot or MET from engaging until the autopilot computer has completed the preflight self-test sequence and finds that the system is not defective. The preflight self-test starts when the AVIONICS BUS 2 Switch is set to the ON position.

The KAP 140 Autopilot will disengage if any of the following conditions occur:

1. Internal Autopilot System malfunction
2. Autopilot Computer Monitor detects either R (roll axis) or P (pitch axis) malfunction annunciation.
3. Pitch accelerations larger than + 1.4g or - 0.6g caused by a servomotor unit malfunction. The pilot cannot maneuver the airplane and cause the autopilot to disengage, although some turbulence can.
4. DC Electric Turn Coordinator malfunction.
5. The A/P DISC/TRIM INT Switch on the LH Control Wheel is pushed.

The AVIONICS BUS 2 Switch supplies electrical power to the AUTO PILOT Circuit Breaker from AVN BUS 2. The AVIONICS BUS 2 Switch can also de-energize the Autopilot or MET system in an emergency.

(Continued Next Page)



## GENERAL (Continued)

The following circuit breakers energize and supply protection for the KAP 140 Autopilot:

<u>LABEL</u>	<u>FUNCTIONS</u>
AUTO PILOT	A pull-to-open type circuit breaker on AVN BUS 2 that energizes the KAP 140 Autopilot computer and the roll, pitch and pitch trim servomotor units.
WARN	A pull-to-open type circuit breaker on the X-FEED BUS that supplies power for the PITCH TRIM annunciation on the G1000 PFD.

(Continued Next Page)

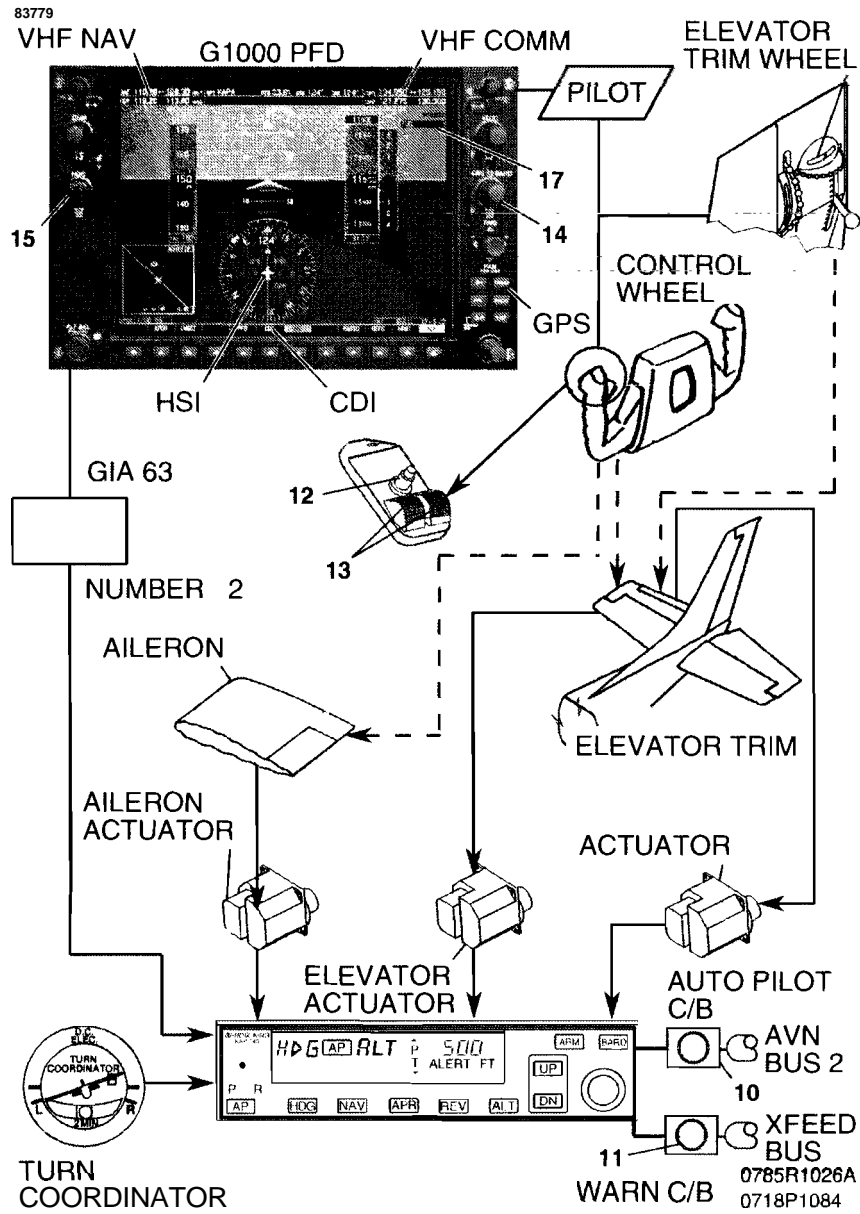


Figure S3-1

**GENERAL** (Continued)

**BENDIX/KING KAP 140 2 AXIS AUTOPILOT WITH ALTITUDE PRESELECT, OPERATING CONTROLS AND INDICATORS**

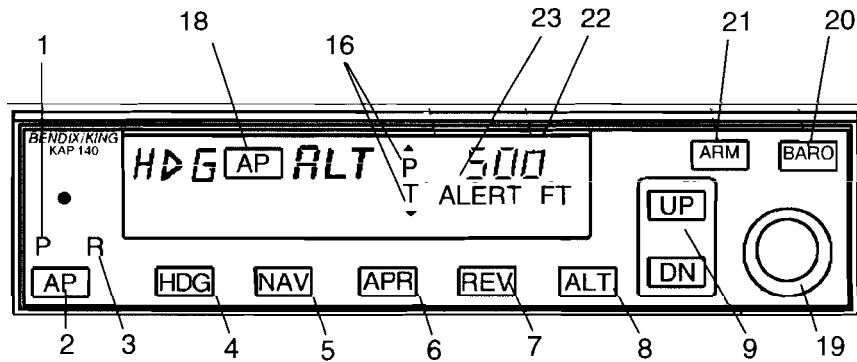


Figure S3-2

**KAP 140 WITH ALTITUDE PRESELECT**

1. PITCH AXIS (P) ANNUNCIATOR - When illuminated, indicates failure of pitch axis and will either disengage the autopilot or not allow engagement of the pitch axis. In turbulent air, will illuminate during abnormal vertical/accelerations.
2. AUTOPILOT ENGAGE/DISENGAGE (AP) BUTTON - When pressed and held (approx. 0.25 seconds), engages autopilot if all preflight self-test conditions are met. The autopilot will engage in the basic roll (ROL) mode which functions as a wing leveler and the pitch axis vertical speed (VS) mode. The commanded vertical speed will be displayed in the upper right corner of autopilot display area. The captured VS will be the vertical speed present at the moment the AP button is pressed. The button may also be used to disengage the autopilot.
3. ROLL AXIS (R) ANNUNCIATOR - When illuminated, indicates failure of the roll axis and disengages the autopilot.

(Continued Next Page)

**GENERAL** (Continued)

4. **HEADING (HDG) MODE SELECTOR BUTTON** - When pushed, will select the Heading mode, which commands the airplane to turn to and maintain the heading selected by the heading bug on the HSI. A new heading may be selected at any time and will result in the airplane turning to the new heading. The button can also be used to change between HDG and ROL modes.
5. **NAVIGATION (NAV) MODE SELECTOR BUTTON** - When pushed, will select the Navigation mode. This mode provides automatic beam capture and tracking of VOR, LOC, or GPS signals as set on the HSI. NAV mode is recommended for enroute navigation tracking.
6. **APPROACH (APR) MODE SELECTOR BUTTON** - When pushed, will select the Approach mode. This mode provides automatic beam capture and tracking of VOR, GPS, LOC and Glideslope (GS) on an ILS, as set on the HSI. APR mode tracking sensitivity is recommended for instrument approaches.
7. **BACK COURSE APPROACH (REV) MODE BUTTON** - This button is active only when the coupled navigation receiver is tuned to a LOC/ILS frequency. When pushed will select the Back Course approach mode. This mode functions identically to the approach mode except that the autopilot response to LOC signals is reversed. Glideslope is locked out with REV mode.
8. **ALTITUDE HOLD (ALT) MODE SELECT BUTTON** - When pushed, will select the altitude hold mode. This mode provides capture and tracking of the selected altitude. The selected altitude is the airplane altitude at the moment the ALT button is pressed. If the ALT button is pressed with an established VS rate present, there will be about a 10% (of VS rate) overshoot. The airplane will return positively to the selected altitude.

(Continued Next Page)

**GENERAL** (Continued)

9. VERTICAL SPEED (UP/DN) MODE BUTTONS - The action of these buttons depends on the vertical mode selection when pressed. If VS mode is active (AP plus any lateral mode) and the UP button is pressed, the autopilot will modify the displayed VS command (FPM) in the up direction. Single momentary cycles on either the UP or DN button will increment the VS command by 100 FPM per cycle. When either button is continuously held in, it will modify the vertical speed command by 300 fpm per second.

If ALT mode is active, pressing the UP/DN buttons will modify the captured altitude by 20 feet per cycle, or if held continuously will command the airplane up or down at the rate of 500 FPM, synchronizing the ALT reference to the actual airplane altitude upon button release.

10. AUTO PILOT CIRCUIT BREAKER - A 5-amp pull-off circuit breaker supplies 28 VDC to the KAP 140 system.
11. WARN C/B - Power to the autopilot disconnect horn and the annunciator (PITCH TRIM).
12. AUTOPILOT DISCONNECT (A/P DISC/TRIM INT) SWITCH - When depressed will disengage the autopilot and interrupt manual electric trim (MET) power. An autopilot disconnect will be annunciated by a continuous 2 second tone accompanied by flashing "AP" annunciations on the autopilot computer display.
13. MANUAL ELECTRIC TRIM (MET) SWITCHES - When both switches are pressed in the same direction, the trim system will provide pitch trim in the selected direction. Use of manual electric trim during autopilot operation will disengage the autopilot.

(Continued Next Page)

**GENERAL** (Continued)

14. COURSE SELECT (CRS) KNOB - Selects the desired magnetic course to be tracked by the autopilot. (Note: The HDG bug must also be positioned to the proper course to capture and track the selected radial or desired track).
15. HEADING SELECT KNOB (HDG) - Positions the heading pointer ("bug") on the HSI compass card. Note that the position of the heading bug also provides heading datum to the autopilot when armed for course capture is in NAV, APR, or REV (BC) modes. This is in addition to its use in the HDG mode.
16. PITCH TRIM (PT) Annunciator - Indicates the direction of pitch trim motion. The annunciation will flash if auto trim has not satisfied the request for trim for a period of 10 seconds. A solid  $\begin{matrix} P \\ \uparrow \\ T \end{matrix}$  without an arrowhead is an indication of a pitch trim fault. Refer to the EMERGENCY PROCEDURES for proper response to a pitch trim fault.
17. PITCH TRIM Annunciation - Displayed in the PFD, Illuminates whenever the automated preflight self test detects a pitch trim fault or the continuous monitoring system detects a pitch trim fault in flight. Refer to the EMERGENCY PROCEDURES for proper response to a pitch trim fault.
18. AUTOPILOT ENGAGE AP Annunciation - Comes on whenever the autopilot is engaged. Flashes during pilot initiated or automatic disengagement.

(Continued Next Page)

**GENERAL** (Continued)

19. ROTARY KNOBS - Used to set the altitude alerter reference altitude; or may be used immediately after pressing the BARO button, to adjust the autopilot baro setting to match that of the airplane's altimeter when manual adjustment is required.
20. BARO SET (BARO) BUTTON - When pushed and released, will change the display from the altitude alerter selected altitude to the baro setting display (either in. HG or HPA) for 3 seconds. If pushed and held for 2 seconds, will change the baro setting display from in. HG to HPA or vice versa. Once the baro setting display is visible the rotary knobs may be used to adjust the baro setting.
21. ALTITUDE ARM (ARM) BUTTON - When pushed, will change the altitude arming function between on or off. When ALT ARM is annunciated, the autopilot will capture the altitude alerter displayed altitude (provided the airplane is climbing or descending in VS to the displayed altitude). ALT hold arming when the autopilot is engaged is automatic upon altitude alerter altitude selection via the rotary knobs. Note that the alerter functions are independent of the arming process thus providing full time alerting, even when the autopilot is disengaged.
22. ALTITUDE ALERTER/VERTICAL SPEED/BARO SETTING DISPLAY - Normally displays the altitude alerter selected altitude. If the UP or DN button is pushed while in VS hold, the display changes to the command reference for the VS mode in FPM for 3 seconds. If the BARO button is pushed, the display changes to the autopilot baro setting in either in. HG or HPA for 3 seconds.

(Continued Next Page)

## **GENERAL** (Continued)

23. ALTITUDE ALERT (**ALERT**) ANNUNCIATION - Illuminates continuously in the region of 200 to 1000 feet from the selected altitude if the airplane was previously outside of this region. Flashes (1) for two seconds the first time the airplane crossed the selected altitude and (2) continuously in the 200 to 1000 feet region if the airplane was previously inside of this region (i.e. at the selected altitude). Associated with the visual alerting is an aural alert (5 short tones) which occurs 1000 feet from the selected altitude upon approaching the altitude and 200 feet from the selected altitude on leaving the altitude.

## **OPERATING LIMITATIONS**

The following autopilot limitations must be obeyed:

1. The entire Preflight procedure given in the Normal Procedures section of this Supplement must be satisfactorily completed prior to each flight. Use of the autopilot or manual electric trim system is prohibited before the satisfactory completion of the Preflight procedure.
2. The autopilot must be OFF during takeoff and landing
3. During autopilot operation, a pilot must be seated in the left front seat with their seat belt fastened.
4. The system is approved for Category I operation only (Approach mode selected).
5. Autopilot maximum airspeed limitation - 160 KIAS.  
Autopilot minimum airspeed limitation - 80 KIAS.

(Continued Next Page)



## OPERATING LIMITATIONS (Continued)

6. Maximum flap extension - 10°.
7. Maximum lateral fuel imbalance with autopilot engaged - 90 lbs.
8. The autopilot must be disengaged below 200 feet AGL during approach operations and below 800 feet AGL for all other phases of flight.
9. Manually overriding the autopilot to change pitch or roll attitude is prohibited. (Disengage the autopilot before moving the control wheel manually).
10. If the red "PITCH TRIM" warning annunciator (shown on the PFD) comes on during flight, do the Recovery Procedure shown in Emergency Procedures. The electric trim and autopilot systems will be de-energized when the AUTO PILOT circuit breaker is open.
11. Operation of the KAP 140 Autopilot is prohibited when the GMA 1347 Audio Panel is inoperative (no warning tone will be supplied when the Autopilot disengages).

## EMERGENCY PROCEDURES

The four-step recovery procedure (steps 1 thru 4) listed below should be committed to memory. It is important that the pilot be proficient in accomplishing all four steps without reference to this manual.

### RECOVERY PROCEDURE

1. In case of Autopilot, Autopilot Trim, or Manual Electric Trim malfunction (accomplish Items a and b simultaneously):
  - a. Airplane Control Wheel - **GRASP FIRMLY** and regain control of aircraft.
  - b. **AP DISC/TRIM INT** Switch --- **PUSH** and **HOLD** throughout recovery.

(Continued Next Page)

## EMERGENCY PROCEDURES (Continued)

- c. AIRCRAFT - **TRIM** manually as needed.
- d. AUTO PILOT Circuit Breaker - **OPEN** (pull out).

### WARNING

**FOLLOWING AN AUTOPILOT, AUTOTRIM OR MANUAL ELECTRIC TRIM SYSTEM MALFUNCTION, DO NOT ENGAGE THE AUTOPILOT UNTIL THE CAUSE OF THE MALFUNCTION HAS BEEN CORRECTED.**

### NOTE

The AVIONICS BUS 2 switch may be used to de-energize the autopilot and electric trim systems. If necessary, do steps a thru c above, set the AVIONICS BUS 2 switch to the OFF position then locate and open (pull) the AUTO PILOT circuit breaker. Then the AVIONICS BUS 2 switch can be set to the ON position to restore power to the other avionics equipment on AVN BUS 2. Primary attitude, airspeed, directional compass, and altitude instruments will continue to operate when the AVIONICS BUS 2 switch is OFF.

Maximum Altitude losses due to autopilot malfunction:

CONFIGURATION	ALTITUDE LOSS (feet)
Cruise, Climb or Descent	650 feet
Maneuvering	100 feet
Approach	100 feet

### AMPLIFIED EMERGENCY PROCEDURES

The following paragraphs provide additional information for more complete understanding of the recommended course(s) of action in emergency situations.

(Continued Next Page)

## **EMERGENCY PROCEDURES** (Continued)

1. An autopilot or autotrim malfunction occurs when there is an uncommanded deviation in the airplane flight path or when there is abnormal control wheel or trim wheel motion. In some cases, (especially for autopilot trim), there may be little to no airplane motion, but the PITCH TRIM annunciator (RH side of PDF) may come on.
2. The primary concern in reacting to an autopilot or autopilot trim system malfunction, or to an automatic disconnect of the autopilot, is to keep control of the airplane. Immediately grasp the control wheel and push and hold the A/P DISC/TRIM INT switch throughout the recovery. Manipulate the controls as required to safely keep the airplane within all of its operating limitations. Elevator trim should be used manually as needed to relieve control forces. Locate and open (pull) the AUTO PILOT circuit breaker on the lower right hand corner of the circuit breaker panel to completely disable the autopilot system.
3. A manual electric trim system malfunction (without pilot actuation of the manual electric trim switches) may be recognized by the PITCH TRIM annunciator coming on or by unusual trim wheel motions with the autopilot not engaged. As with an autopilot malfunction, the first concern following a manual electric trim system malfunction is to keep the airplane in control. Grasp the control wheel firmly and push and hold down the A/P DISC/TRIM INT switch. Locate and pull the AUTO PILOT circuit breaker on the lower right hand corner of the circuit breaker panel (AVN BUS 2).

Trim system voice messages will be provided for the following flight conditions:

1. "TRIM IN MOTION" - Elevator trim runs for more than 5 seconds, message repeats every 5 seconds.

(Continued Next Page)

## **EMERGENCY PROCEDURES** (Continued)

2. CHECK PITCH TRIM - An out of trim condition has existed for approximately 20 seconds, take immediate corrective action:
  - a. Airplane Control Wheel - GRASP FIRMLY and keep aircraft in control.
  - b. A/P DISC/TRIM INT Switch - PUSH and HOLD throughout recovery.
  - c. AIRPLANE - RETRIM Manually as Needed.
  - d. AUTO PILOT Circuit Breaker - OPEN (PULL).

### **NOTE**

Emergency Procedures for any malfunction are essentially the same: immediately grasp the control wheel and regain airplane control while pushing and holding the A/P DISC/TRIM INT switch, then trim the airplane as needed. After these steps have been accomplished, secure the autopilot electric trim system by pulling the AUTO PILOT circuit breaker. As with any airplane emergency procedure, it is important that the 4 steps of the Recovery Procedure be committed to memory.

3. The AVIONICS BUS 2 switch may be used to remove all electric power from the autopilot and electric trim systems while the AUTO PILOT circuit breaker is located and opened. When the AVIONICS BUS 2 switch is OFF, the autopilot and electric trim systems will not operate. After opening the AUTO PILOT circuit breaker, set the AVIONICS BUS 2 switch to the ON position to return power to the other equipment on AVN BUS 2.
4. It is important that all portions of the autopilot and electric trim system are tested prior to each flight in accordance with the procedures published herein in order to assure their integrity and continued safe operation during flight.

(Continued Next Page)

## EMERGENCY PROCEDURES (Continued)

### WARNING

**FOLLOWING AN AUTOPILOT, AUTOTRIM OR MANUAL ELECTRIC TRIM SYSTEM MALFUNCTION, DO NOT ENGAGE THE AUTOPILOT UNTIL THE CAUSE OF THE MALFUNCTION HAS BEEN CORRECTED.**

A flashing auto trim annunciation on the face of the autopilot indicates a failure in the pitch trim system. The pitch trim (autotrim) system has not reduced the load on the pitch servomotor sufficiently quickly. This condition should be temporary.

1. FLASHING  $\frac{P}{T}$  ANNUNCIATION - OBSERVE airplane pitch behavior. If pitch behavior is satisfactory, wait 5 to 10 seconds for the annunciation to go off.
2. If  $\frac{P}{T}$  annunciation continues, CONTROL WHEEL - GRASP FIRMLY, DISENGAGE the autopilot and CHECK for out of trim condition in pitch. Manually trim to reduce control forces.
3. AUTOPILOT OPERATION - CONTINUE, if satisfied that the pitch trim malfunction indication was temporary. DISCONTINUE if failure of autotrim.

If a red P or R is shown on the face of the autopilot:

1. A red P indicates that the pitch axis system of the autopilot has been disabled and cannot be engaged.

### WARNING

**DO NOT ENGAGE THE AUTOPILOT IF ONLY THE ROLL AXIS IS OPERATING.**

(Continued Next Page)

## **EMERGENCY PROCEDURES** (Continued)

### **NOTE**

If the red P lamp comes on because of abnormal acceleration of the airplane (due to turbulence), the lamp should go off within approximately one minute and normal operation of the autopilot will begin again.

2. A red R means that the autopilot roll axis system has been disabled and cannot be engaged. The autopilot cannot be engaged again.

If a flashing mode annunciation is shown on the face of the autopilot:

1. HDG flashing - Shows a failed heading input. PUSH the HDG button to change to ROL mode. ROL will be shown on the face of the autopilot.
2. NAV, APR or REV flashing - Shows that the autopilot navigation source is not working correctly (flag). The navigation signal may have been lost or the navigation source may have been switched at the PFD.

### **NOTE**

NAV, APR or REV flashing can also be caused by a failed heading input (during course capture).

3. GS flashing - Shows a failed glideslope signal or input (GS will ARM again if a good glideslope signal comes back).

### **NOTE**

- If the approach is continued using the localizer only, make sure to obey the minimum descent altitude (MDA) for the non-precision approach procedure. Use ALT or VS mode as necessary to control altitude.

(Continued Next Page)

## **EMERGENCY PROCEDURES** (Continued)

- When the mode annunciator starts to flash, the autopilot has changed to a default mode of operation: ROL for lateral control and/or VS for vertical control. The autopilot may be engaged in the previous mode again as soon as the correct navigation, glideslope or heading signal or source is available.
- The HDG annunciation will flash for 5 seconds on the selection of NAV, APR or REV mode to tell the pilot to set the HDG bug (HSI) to the desired course.

Effects of equipment failure on autopilot operation:

1. Failure of Attitude Indicator - No effect on autopilot.
2. Failure of AHRS - The autopilot will function only in ROL mode.
3. Failure of DC Turn Coordinator - Autopilot will disengage or will not engage.
4. Failure of HSI - If HSI fails to function correctly, no heading signal will be available, so the autopilot HDG, NAV, APR and REV modes will not function correctly. Only ROL mode will function correctly.
5. Failure of the Transponder Pressure Altitude Encoder - The Altitude Alert and Altitude Preselect functions will not operate correctly (gray code signal not available).
6. Failure of the No. 2 GIA 63 Integrated Avionics Unit: If the No. 2 GIA 63 unit fails, the autopilot will function only in ROL mode.
7. Failure of the GMA 1347 Audio Panel - No aural annunciator (Electronic sound or tone) will be heard when the autopilot disengages.

(Continued Next Page)

## **NORMAL PROCEDURES**

PREFLIGHT (PERFORM BEFORE EACH FLIGHT):

1. MASTER Switch (BAT) - ON.
2. AVIONICS Switch BUS 2 - ON.
3. POWER APPLICATION and SELF-TEST - The autopilot tests itself when power is first made available. The test is a sequence of internal checks before starting normal system operation. The test sequence is shown on the face of the autopilot as "PFT X". "X" is the test sequence step number. Successful completion of the self-test is shown by all autopilot display elements coming on (Display Test), the PITCH TRIM annunciator on the PFD coming on and the operation of the autopilot disengagement tone.

### **WARNING**

**IF THE RED P STAYS ON, THE AUTOPILOT HAS FAILED THE PREFLIGHT TEST. OPEN (PULL) THE AUTO PILOT CIRCUIT BREAKER TO MAKE SURE THAT THE AUTOPILOT AND MANUAL ELECTRIC TRIM SYSTEM WILL NOT OPERATE.**

### **NOTE**

When power is first supplied to the autopilot, the red P (pitch trim) lamp on the face of the autopilot may come on to show that the pitch system cannot be engaged. This condition should last approximately 30 seconds. The P will go off and the autopilot pitch trim system will function correctly.

(Continued Next Page)



## **NORMAL PROCEDURES** (Continued)

4. MANUAL ELECTRIC TRIM (MET) SYSTEM - TEST (Using the DN - UP Switches on the outboard side of the LH control wheel):
  - a. LH Switch - PUSH FORWARD to DN position and hold. MONITOR elevator trim wheel for movement. If elevator trim wheel moves, MET system has failed. Release switch to center OFF position.

### **NOTE**

Any movement of the elevator trim wheel during the check of either the LH or RH Switch means that the Manual Electric Trim System has failed. The airplane may be flown if the AUTO PILOT Circuit Breaker is secured in the open position so that the autopilot is disconnected from electrical power and will not operate until it is repaired.


- b. LH SWITCH - PULL AFT to UP position and hold. Make sure that the elevator trim wheel does not move. Release switch to center OFF position.
- c. RH Switch - PUSH FORWARD to DN position and hold. Make sure that the elevator trim wheel does not move. Make sure the red <sup>P</sup><sub>T</sub> light on the face of autopilot comes on. Release switch to center OFF position.

### **NOTE**

If red <sup>P</sup><sub>T</sub> light is not shown on the face of the autopilot after the RH Switch is held in the DN position for 5 seconds, the Trim Monitor System has failed. The airplane may be flown if the AUTO PILOT Circuit Breaker is secured in the open position so the autopilot is disconnected from electrical power and will not operate until it is repaired.

(Continued Next Page)

## **NORMAL PROCEDURES** (Continued)

- d. RH SWITCH - PULL AFT to UP position and hold. Make sure that the elevator trim wheel does not move. Make sure the red  light on the face of the autopilot comes on. Release switch to center OFF position.
- e. LH and RH Switch - PUSH BOTH FORWARD (DN position) at same time and hold. Make sure that the elevator trim wheel moves in the nose-down direction. While holding both LH and RH Switches forward, PUSH and HOLD the A/P DISCKRIM INT Switch, make sure that the elevator trim wheel does not move while the A/P DISCKRIM INT Switch is held. Continue to hold the LH and RH Switches forward and RELEASE the A/P DISCKRIM INT Switch. Make sure that the elevator trim wheel moves in nose-down direction. Release the LH and RH Switches to the center OFF position.

### **NOTE**

Make sure that the elevator Trim Tab moves up with nose down elevator trim (LH & RH Switches held in the DN position) movement. If the elevator trim wheel moves while the A/P DISCKRIM INT Switch is pushed and held, the Manual Electric Trim System has failed. The airplane may be flown if the AUTO PILOT Circuit Breaker is secured in the open position so that the autopilot is disconnected from electrical power and will not operate until it is repaired.

- f. LH and RH Switch - PUSH BOTH AFT (UP position) at same time and hold. Make sure that the elevator trim wheel moves in the nose-up direction. While holding both LH and RH Switches in the aft position, PUSH and HOLD the A/P DISC/TRIM INT Switch, make sure that the elevator trim wheel does not move while the A/P DISCKRIM INT Switch is held. Continue to hold the LH and RH Switches aft and RELEASE the A/P DISCKRIM INT Switch. Make sure that the elevator trim wheel moves in nose-up direction. Release the LH and RH Switches to the center OFF position.

(Continued Next Page)

## **NORMAL PROCEDURES** (Continued)

### **NOTE**

Make sure that the elevator Trim Tab moves down with nose up elevator trim (LH & RH Switches held in the UP position) movement. If the elevator trim wheel moves while the A/P DISC/TRIM INT Switch is pushed and held, the Manual Electric Trim System has failed. The airplane may be flown if the AUTO PILOT Circuit Breaker is secured in the open position so that the autopilot is disconnected from electrical power and will not operate until it is repaired.

4. **BARO** Setting flashing - SET current local barometer (atmospheric pressure) using knobs or push **BARO** button to accept the present setting.
5. **AUTOPILOT - ENGAGE** (push and hold AP button for 1 second).
6. **FLIGHT CONTROLS - MOVE**. Make sure that the autopilot can be overpowered in both pitch axis and roll axis.
7. **A/P DISC/TRIM INT Switch - PUSH**. Make sure that the autopilot disengages. Make sure that the disengagement warning sound is heard.

(Continued Next Page)

## **NORMAL PROCEDURES** (Continued)

8. ELEVATOR TRIM WHEEL - SET pointer to takeoff position.

### **WARNING**

- WHEN THE AUTOPILOT IS ENGAGED, THE PILOT-IN-COMMAND MUST CONTINUOUSLY MONITOR AND BE READY TO DISENGAGE THE AUTOPILOT AS NOTED ABOVE. DO THE EMERGENCY RECOVERY PROCEDURE IF AUTOPILOT OPERATION IS ERRATIC OR DOES NOT CORRECTLY CONTROL THE AIRPLANE.
- DURING AUTOPILOT OPERATIONS, THE PILOT-IN-COMMAND MUST SET THE AUTOPILOT VS (VERTICAL SPEED) RATE AND ENGINE POWER TO MAKE SURE THAT AIRSPEED STAYS BETWEEN 80 KIAS AND 160 KIAS AND DOES NOT EXCEED ANY OTHER AIRPLANE OPERATING LIMITATION.

### **NOTE**

Autopilot tracking performance will not be as good as usual in turbulence.

9. AVIONICS BUS 2 Switch - OFF
10. MASTER Switch (BAT) - OFF

### **BEFORE TAKEOFF**

1. A/P DISC/TRIM INT Switch - PUSH.

(Continued Next Page)

## **NORMAL PROCEDURES** (Continued)

### 2. BARO-SET

#### **CAUTION**

CONTINUE TO SET BARO THROUGHOUT THE FLIGHT WHEN THE ALTIMETER SETTING CHANGES. NO FLASHING BARO SETTING WILL BE SHOWN TO REMIND THE PILOT.

### 3. ALTITUDE SELECT - SET target altitude using knobs.

#### **CAUTION**

THERE IS NO CONNECTION BETWEEN THE G1000 ALT SEL FEATURE AND THE KAP 140 ALTITUDE ALERT FUNCTION.

#### **NOTE**

1000 feet before the altitude selection, an electronic sound (tone) will be supplied for the pilot. Altitude changes of more than 200 feet from the altitude selection will cause a series of short tones to alert the pilot.

## **AFTER TAKEOFF**

1. Elevator Trim - SET to trim airplane before engaging the autopilot.

#### **NOTE**

If the autopilot is engaged when the airplane is out-of-trim, the result can be an unwanted altitude change, TRIM FAIL annunciation and autopilot disengagement.

2. Airspeed and Rate-of-Climb - STABLE

(Continued Next Page)

## **NORMAL PROCEDURES** (Continued)

### **NOTE**

Only engage the autopilot during wings-level stable flight. The autopilot will come on in ROL (wings leveler) and VS (Vertical Speed) modes. The VS mode initial rate-of-climb will be the vertical speed at the time the autopilot is engaged. Do not engage the autopilot when the airplane cannot hold the climb rate because of excessive pitch attitude, low airspeed, low engine power or high airplane weight. Do not engage the autopilot when the performance or operation of the autopilot or airplane will not obey the limitations.

3. AP Button - PUSH and HOLD. Make sure that ROL and VS are shown on the face of the autopilot. If no selection of other operating modes is made, the autopilot will operate in ROL and VS modes.

### **NOTE**

When operating in ROL mode, turbulence may result in changes to airplane heading. ROL mode only works to keep the wings level.

4. Make HDG or NAV mode selection as applicable (optional).

### **WARNING**

- **WHEN OPERATING THE AUTOPILOT IN VS MODE WITH POWER SET FOR CLIMB AND AIRSPEED AT OR NEAR BEST RATE-OF-CLIMB, CONTINUED OPERATION IN VS MODE CAN RESULT IN A STALL. IF NECESSARY, DISENGAGE THE AUTOPILOT AND RETURN THE AIRPLANE TO STABLE CLIMB BEFORE ENGAGING THE AUTOPILOT AGAIN.**

(Continued Next Page)

## NORMAL PROCEDURES (Continued)

### WARNING

- WHEN OPERATING AT OR NEAR AUTOPILOT MAXIMUM AIRSPEED, REDUCE POWER TO CONTROL THE DESIRED RATE-OF-DESCENT AND KEEP THE AIRSPEED LESS THAN THE AUTOPILOT MAXIMUM LIMIT.
- DO NOT MOVE THE CONTROL WHEEL WHEN THE AUTOPILOT IS ENGAGED. IF THE PILOT TRIES TO FLY THE AIRPLANE MANUALLY WHEN THE AUTOPILOT IS ENGAGED OR TRIES TO MANUALLY "HELP" THE AUTOPILOT, THE AUTOPILOT **WILL** ADJUST PITCH **TRIM** TO OPPOSE CONTROL WHEEL MOVEMENT AND CAUSE THE AIRPLANE TO GO OUT OF TRIM. THE OUT-OF-TRIM CONDITION **WILL** CAUSE LARGE ELEVATOR CONTROL FORCES WHEN THE AUTOPILOT IS DISENGAGED.

### CLIMB OR DESCENT

1. BARO - SET current altimeter.
2. VS (Vertical Speed) Mode:  
UP or DN Buttons - PUSH button to set airplane vertical speed in 100 feet per minute (ft/min) increments. PUSH and HOLD the button for the KAP 140 to increase the vertical speed at approximately 300 ft/min/sec to the desired value, then RELEASE. The rate will be set at the time of button release.

### CAUTION

THE VERTICAL SPEED MODE HAS SYSTEM LIMITS OF 2000 FEET PER MINUTE. OPERATING THE MODEL 182T NEAR THESE LIMITS IS NOT RECOMMENDED

(Continued Next Page)

## **NORMAL PROCEDURES** (Continued)

3. POWER - SET as applicable for vertical speed selection.

### **NOTE**

The autopilot can hold a set vertical speed only if engine power and airplane weight are correct for the conditions. If the vertical speed set for the autopilot is more than the airplane can supply and airspeed decreases sufficiently, the airplane can be made to stall. Make sure that the vertical speed set for the autopilot results in airplane performance that stays in the operating limitations of both the autopilot and the airplane.

### **ALTITUDE PRESELECT MODE (ALTITUDE LOCK ON).**

1. ALTITUDE SELECT - SET target altitude using knob on KAP 140.
2. ALTITUDE ARM - PUSH the ARM button to set the Altitude Lock On feature to the ON position (if needed). ALT ARM will show on the face of the autopilot when Altitude Lock On is set to the ON condition.

### **NOTE**

- Minor differences between the autopilot altitude selection and the airplane altitude indication may be seen after altitude lock on. This small difference is generally due to autopilot system tolerances.
- Use of Altitude Preselect (Lock On) mode is not recommended for lock on at minimum descent altitude (MDA) during non-precision instrument approach procedures due to the possibility of altitude overshoot. Glideslope (GS) lock on during an ILS approach will prevent lock on to a preselect altitude selection.

(Continued Next Page)



## **NORMAL PROCEDURES** (Continued)

- Use Vertical Speed mode as described previously in CLIMB or DESCENT for altitude change.

### **ALTITUDE HOLD**

1. ALT Button - PUSH (Make sure that the ALT annunciator on the front of the autopilot comes on). The autopilot will stay at the set altitude.

### **NOTE**

- If the ALT button is pushed while the airplane is climbing or descending, the airplane may go through the altitude selection by approximately 10% of the vertical rate (example: 500 ft/min = approximately 50 feet), but will quickly lock on and correct to the target altitude.
- In Advisory Circular AC00-24B "Thunderstorms", the FAA recommends the use of "Pitch Attitude Hold" for autopilot operation in severe turbulence. The KAP 140 does not use pitch reference, so it is recommended that the autopilot be disengaged and the airplane flown manually in severe turbulence.

### **CHANGING ALTITUDE**

If the autopilot is engaged in ALT mode (Altitude Hold):

1. For small altitude changes (less than 100 feet), push the UP or DN button momentarily to program an increase or decrease to the altitude selection, as applicable, of 20 feet each time the button is pushed. This lets the autopilot make small corrections to the altitude selection.
2. For larger altitude changes, push and HOLD the UP or DN button, as applicable, to start a 500 ft/min altitude change. Release the button at the altitude the autopilot is to hold.

(Continued Next Page)

## **NORMAL PROCEDURES** (Continued)

If the autopilot is engaged in VS mode (Vertical Speed):

1. UP or DN Button - PUSH momentarily for 100 ft/min vertical speed increments or PUSH and HOLD for 300 ft/min/sec vertical rate change and RELEASE at the rate desired. The autopilot will climb or descend at rate selection.

### **NOTE**

- The autopilot can hold a Vertical Speed selection only if engine power and airplane weight are correct for the conditions. If the vertical speed set for the autopilot is more than the airplane can supply and airspeed decreases sufficiently, the airplane can be made to stall. Make sure that the vertical speed set for the autopilot results in airplane performance that stays in the operating limitations of both the autopilot and the airplane.
- When operating at or near the best-rate-of-climb airspeed, with the engine set to climb power or when in Vertical Speed mode, it can be easy to slow to airspeeds where any additional reduction in airspeed will result reduced rate-of-climb. Hold sufficient airspeed during Vertical Speed mode operation to avoid a stall.

### **HEADING (HDG) MODE OPERATION**

1. HDG knob - SET the heading pointer ("bug") on the G1000 HSI to the correct magnetic heading using the HDG knob on the PFD.
2. HDG Button - PUSH to engage HDG mode. Make sure that the HDG annunciator is shown on the face of the autopilot. The autopilot will turn the airplane at approximately standard rate (3°/sec) to lock on to the heading selection.

(Continued Next Page)

## NORMAL PROCEDURES (Continued)

### NAVIGATION (NAV) MODE OPERATION

The KAP 140 Autopilot will operate in NAV mode using GPS or VHF (VOR or LOC) navigation signal inputs. The G1000 HSI shows the GPS, NAV 1 or NAV 2 navigation signal being supplied to the autopilot. The navigation source selection shown on the HSI is made using the CDI softkey.

If using NAV 1 or NAV 2, make sure that the radio is adjusted to the correct frequency and is the active frequency. Make sure that NAV 1 or NAV 2, as applicable, is shown on the HSI.

### WARNING

WHEN THE KAP 140 AUTOPILOT IS ENGAGED IN NAV, APR OR REV OPERATING MODE, IF **THE** HSI NAVIGATION SOURCE IS CHANGED FROM GPS TO **NAV1**, AUTOMATICALLY OR MANUALLY (USING THE **CDI** SOFTKEY), OR MANUALLY FROM **NAV2** TO GPS, THE CHANGE WILL INTERRUPT THE SIGNAL TO THE AUTOPILOT AND CAUSE THE AUTOPILOT TO GO BACK TO ROL MODE OPERATION. NO WARNING CHIME OR PFD ANNUNCIATION WILL BE SUPPLIED. THE PREVIOUSLY-SELECTED MODE SYMBOL SHOWN ON THE FACE OF THE AUTOPILOT WILL FLASH TO SHOW THE CHANGE TO ROL MODE OPERATION. IN ROL MODE, THE AUTOPILOT WILL ONLY KEEP THE WINGS LEVEL AND WILL NOT CORRECT THE AIRPLANE HEADING OR COURSE. SET THE HDG BUG TO THE CORRECT HEADING AND SELECT THE CORRECT NAVIGATION SOURCE ON THE HSI USING THE CDI **SOFTKEY** BEFORE ENGAGING THE AUTOPILOT IN ANY OTHER OPERATING MODE.

(Continued Next Page)

## **NORMAL PROCEDURES** (Continued)

### **CAUTION**

THE G1000 HSI SHOWS A COURSE DEVIATION INDICATOR FOR THE GPS, NAV 1 OR NAV 2 NAVIGATION SOURCE SELECTION. THE G1000 HSI DOES NOT PROVIDE A WARNING "FLAG" WHEN A VALID NAVIGATION SIGNAL IS NOT BEING SUPPLIED TO THE INDICATOR. WHEN A VALID NAVIGATION SIGNAL IS NOT BEING SUPPLIED, THE COURSE DEVIATION INDICATION BAR (D-BAR) PART OF THE INDICATOR IS NOT SHOWN ON THE HSI COMPASS CARD. THE MISSING D-BAR IS CONSIDERED TO BE THE WARNING FLAG.

### **NOTE**

When navigating using GPS, make sure that the GPS 2 unit is available on the G1000 MFD AUX - GPS STATUS page. No annunciation is provided for GPS 2 malfunction.

### **NAV COURSE CAPTURE (LOCK ON)**

1. CRS Pointer - SET the HSI course pointer to the desired magnetic course using the CRS knob on the PFD.

### **NOTE**

If operating GPS-Direct (Direct-to) or on an active GPS Flight Plan, the course pointer will be automatically set by the G1000.

2. HDG bug - SET the HSI heading bug to the desired course intercept heading.
3. HDG Button - PUSH to engage KAP 140 in heading mode. Make sure that the HDG annunciation is shown on the face of the autopilot.

(Continued Next Page)

## **NORMAL PROCEDURES** (Continued)

4. NAV Button - PUSH to arm the autopilot NAV lock on function. Make sure that the autopilot is correctly engaged from the annunciation on the autopilot:
  - a. If the HSI D-Bar is less than 2 to 3 dots from center, the autopilot will go to NAV mode. The NAV annunciator will be shown on the face of the autopilot.
  - b. If the HSI D-Bar is more than 2 to 3 dots from center, the NAVARM annunciator will be shown on the face of the autopilot. When the computed intercept point is reached, the ARM annunciator will go off and lock on (capture and track) will begin automatically. The NAV annunciator will stay on the face of the autopilot.

### **GPS NAV AND ROLL STEERING**

The KAP 140 Autopilot has DC (analog) Roll Steering capability. Roll Steering enables the Flight Guidance System (in this case, the G1000 GPS navigation computer) to control the autopilot through automatic course changes at flight plan waypoints and to lock on to the course to the next waypoint.

The GPS navigation computer uses ground speed, track and turn-rate data to calculate the bank angle required for waypoint course changes (the KAP 140 limits bank angle in the 182T to approximately 18"). The GPS Roll Steering signal will make the autopilot turn the airplane and lock on course to the next waypoint without flying directly over the current waypoint, except for designated fly-over waypoints. The flight path is approximately tangent to the inbound and outbound flight plan legs.

(Continued Next Page)

## **NORMAL PROCEDURES** (Continued)

The distance from the waypoint to start the turn will vary with groundspeed, degrees of heading change, etc., but will usually be approximately 0.5 nautical mile from the waypoint. Flight plan sequencing to the next waypoint will occur at approximately the midpoint of the turn.

Roll Steering works only if all the following conditions are true:

1. GPS must be the navigation source shown on the G1000 HSI.
2. The GPS navigation computer must be executing an active flight plan.
3. The KAP 140 must be engaged in NAV or APR mode.
4. The GPS must not be operating in OBS mode (PFD).

### **HOLDING PATTERNS AND PROCEDURE TURNS:**

When operating IFR on an active GPS flight plan, enroute or transitioning to the terminal environment, a holding pattern or course reversal maneuver may be necessary. The G1000 GPS does not provide course guidance through these maneuvers. The pilot must set both the G1000 and the KAP 140 to the correct operating mode and provide course guidance.

The Holding Pattern is usually shown on the MFD Navigation Map (for a published holding fix), but it is not included as a leg of the flight plan. GPS flight plan execution must be paused by entering OBS mode and using autopilot HDG or NAV modes, as applicable, to perform the maneuver.

(Continued Next Page)

## **NORMAL PROCEDURES** (Continued)

The Procedure Turn is included as a leg in the flight plan along with the instrument approach procedure selection. Course guidance is supplied through the turn to outbound course lock on, but is discontinued after approximately 1 minute. G1000 OBS mode is not required but the KAP 140 must be set to HDG mode and the HDG bug used to provide guidance through the course reversal. When established inbound, change from HDG to APR mode for lock on to the final approach course.

For a KAP 140 that has been operating in NAV mode on an active GPS flight plan:

On arrival at the Holding Fix, set the KAP 140 in HDG mode and provide course guidance by manually adjusting the G1000 HDG bug to command turns and heading, as applicable. Pause G1000 flight plan execution during the holding pattern by using the OBS mode selection on the PFD. Set the correct inbound holding course on the HSI course pointer and NAV mode may be used for the KAP 140 on the inbound leg of the holding pattern for course guidance, but HDG mode must be used for the remainder of the holding pattern maneuver. At the end of the holding procedure, exit OBS mode to start the flight plan executing again and set NAV mode on the KAP 140 to lock on to the course. See the Garmin G1000 Cockpit Reference Guide for further information.

Arriving at the IAF (usual starting point for the Procedure Turn maneuver), the G1000 will command the autopilot to turn to the outbound course and will provide course guidance for a short time (approximately 1 minute). Unlike the Holding Pattern, the G1000 includes the Procedure Turn as a leg in the flight plan, so no OBS mode change is needed. Set the HDG bug to the Procedure Turn outbound leg heading and push the HDG button on the KAP 140 to start the turn. After the correct time flying outbound, adjust the HDG bug to make the turn to the procedure turn inbound heading. When established on the procedure turn inbound, push the APR button on the KAP 140 to lock on to the final approach course. See the Garmin G1000 Cockpit Reference Guide for further information.

(Continued Next Page)

## NORMAL PROCEDURES (Continued)

### APPROACH (APR) MODE OPERATION

APR mode gives more precise tracking during instrument approach procedures. It engages automatic lock on to the final approach course on most approaches and automatic capture of the glideslope on ILS approaches.

The G1000 System will automatically change from GPS to ILS at final approach course lock on (only when the procedure has been activated in the flight plan and the ILS CDI Capture feature is enabled). Automatic change to VHF navigation is only provided for ILS approaches.

### WARNING

WHEN THE KAP 140 AUTOPILOT IS ENGAGED IN NAV, APR OR REV OPERATING MODE, IF THE HSI NAVIGATION SOURCE IS CHANGED FROM GPS TO **NAV1**, AUTOMATICALLY OR MANUALLY (USING THE CDI SOFTKEY), OR MANUALLY FROM **NAV2** TO GPS, THE CHANGE WILL INTERRUPT THE SIGNAL TO THE AUTOPILOT AND CAUSE THE AUTOPILOT TO GO BACK TO ROL MODE **OPERATION**. NO WARNING CHIME OR PFD ANNUNCIATION WILL BE SUPPLIED. THE PREVIOUSLY-SELECTED MODE SYMBOL SHOWN ON THE FACE OF THE AUTOPILOT WILL FLASH TO SHOW THE CHANGE TO ROL MODE OPERATION. IN ROL MODE, THE AUTOPILOT WILL ONLY KEEP THE WINGS LEVEL AND WILL NOT CORRECT THE AIRPLANE HEADING OR COURSE. SET **THE** HDG BUG TO THE CORRECT HEADING AND SELECT THE CORRECT NAVIGATION **SOURCE** ON THE HSI USING THE CDI **SOFTKEY** BEFORE ENGAGING THE AUTOPILOT IN ANY OTHER OPERATING MODE.

(Continued Next Page)



## **NORMAL PROCEDURES** (Continued)

### **NOTE**

Changing from GPS to ILS includes tuning the NAV 1 active frequency to the correct LOC frequency, slewing the course pointer to the applicable final approach course magnetic heading and changing the CDI to NAV 1 while keeping the autopilot in APR mode. The G1000 will do this automatically if ILS CDI Capture is set to AUTO

Roll Steering will only operate on instrument approach procedures selected from a current GPS aeronautical database when:

1. The autopilot is engaged in NAV or APR mode.
2. GPS is shown as the navigation source on the HSI.

### **NOTE**

- Make sure that the applicable GPS mode is set during each portion of the approach procedure selection symbol (NAV, APR or REV) flashing on the face of the autopilot.
- If either the GPS or VHF navigation signal, as applicable, fails when the autopilot is engaged in NAV, APR or REV mode, the autopilot will change back to ROL mode operation. ROL mode operation is shown by the previous mode

### **APPROACH (APR) CAPTURE (LOCK ON)**

1. BARO - SET current local barometric pressure (altimeter).
2. CRS Pointer - SET the HSI course pointer to the desired magnetic course using the CRS knob on the PFD.

### **NOTE**

If operating GPS-Direct (Direct-to) or on an active GPS Flight Plan, the course pointer will be automatically set by the G1000.

(Continued Next Page)

## **NORMAL PROCEDURES** (Continued)

3. HDG bug - SET the HSI heading bug to the desired course intercept heading.
4. HDG Button - PUSH to engage autopilot HDG mode. Make sure that HDG is shown on the face of the autopilot
5. APR Button - PUSH to arm the autopilot APR lock on function. Make sure that the autopilot is correctly engaged from the annunciation on the autopilot:
  - a. If the HSI D-Bar is less than 2 to 3 dots from center, the autopilot will go to APR mode. The APR annunciator will be shown on the face of the autopilot.
  - b. If the HSI D-Bar is more than 2 to 3 dots from center, the APR<sub>ARM</sub> annunciator will be shown on the face of the autopilot. When the computed intercept point is reached, the ARM annunciator will go off and lock on (capture and track) will begin automatically. The APR annunciator will stay on the face of the autopilot.

(Continued Next Page)

## NORMAL PROCEDURES (Continued)

### WARNING

WHEN THE KAP 140 AUTOPILOT IS ENGAGED IN NAV, APR OR REV **OPERATING** MODE, IF THE HSI NAVIGATION **SOURCE** IS CHANGED FROM GPS TO **NAV1**, AUTOMATICALLY OR MANUALLY (USING THE CDI SOFTKEY), OR MANUALLY FROM NAV2 TO GPS, THE CHANGE WILL INTERRUPT THE SIGNAL TO THE AUTOPILOT AND CAUSE THE AUTOPILOT TO GO BACK TO ROL MODE OPERATION. NO WARNING CHIME OR PFD ANNUNCIATION WILL BE SUPPLIED. THE PREVIOUSLY-SELECTED MODE SYMBOL SHOWN ON THE FACE OF THE AUTOPILOT WILL FLASH TO SHOW THE CHANGE TO ROL MODE OPERATION. IN ROL MODE, THE AUTOPILOT WILL ONLY KEEP THE WINGS LEVEL AND WILL NOT CORRECT THE AIRPLANE HEADING OR COURSE. SET THE HDG BUG TO THE CORRECT HEADING AND SELECT THE CORRECT NAVIGATION SOURCE ON THE HSI USING THE CDI **SOFTKEY** BEFORE ENGAGING THE AUTOPILOT IN ANY OTHER OPERATING MODE.

6. Airspeed - HOLD 100 KIAS minimum (recommended) during approaches when the autopilot is engaged.

### GLIDESLOPE ENGAGEMENT & LOCK-ON

1. APR Mode - ENGAGED. Make sure that GSARM is shown on the face of the autopilot.

### NOTE

The glideslope cannot lock-on when the autopilot is engaged in NAV or REV modes. Engaged in APR mode, with NAV 1 or NAV 2 set to the correct ILS frequency, and shown as the related HSI navigation source, the glideslope becomes armed at localizer lock-on.

(Continued Next Page)

## **NORMAL PROCEDURES** (Continued)

2. Glideslope Indicator - CENTERED. Make sure that the ARM annunciator goes out and the GS annunciator stays on.

### **NOTE**

The KAP 140 can lock on the glideslope from above or below. Capturing the glideslope from above is not recommended.

3. Airspeed - HOLD 100 KIAS minimum (recommended) during approaches when the autopilot is engaged.

## **BACK COURSE (REV) MODE OPERATION**

This mode provides reverse sensing for the autopilot navigation course on Back Course-type Localizer approaches.

1. BARO - SET current local barometric pressure (altimeter).
2. CRS Pointer - SET the HSI course pointer to the ILS front course inbound heading using the CRS knob on the PFD.
3. HDG bug - SET the HSI heading bug to the desired course intercept heading.
4. HDG Button - PUSH to engage HDG mode. Make sure that HDG is shown on the face of the autopilot.
5. REV Button - PUSH to arm the autopilot REV lock-on function. Make sure that the autopilot is correctly engaged from the annunciation on the autopilot:
  - a. If the HSI D-Bar is less than 2 to 3 dots from center, the autopilot will go to REV mode. The REV annunciator will be shown on the face of the autopilot.
  - b. If the HSI D-Bar is more than 2 to 3 dots from center, the REV<sub>ARM</sub> annunciator will be shown on the face of the autopilot. When the computed intercept point is reached, the ARM annunciator will go off and lock on (capture and track) will begin automatically. The REV annunciator will stay on.

(Continued Next Page)

## NORMAL PROCEDURES (Continued)

6. Airspeed - HOLD 100 KIAS minimum (recommended) during approaches when the autopilot is engaged.

### MISSED APPROACH

1. A/P DISC/TRIM INT Switch - PUSH to disengage the autopilot.
2. Missed Approach Procedure - EXECUTE.
3. If autopilot is to be engaged:
  - a. Elevator Trim - SET
  - b. Airspeed and Rate-of-Climb - STABILIZED.

### WARNING

THE **G1000** **WILL** ENTER SUSP MODE (STOP THE FLIGHT PLAN) AT THE MISSED APPROACH POINT (MAP) AND **WILL** NOT SUPPLY A NAVIGATION SIGNAL TO THE KAP 140. IF THE **G1000** IS TO BE USED FOR COURSE GUIDANCE TO THE MISSED APPROACH HOLDING POINT (MAHP), PUSH THE SUSP **SOFTKEY** TO START THE FLIGHT PLAN AND NAVIGATION SIGNAL AGAIN BEFORE ENGAGING THE KAP 140.

### NOTE

- Only engage the autopilot during wings-level stable flight. The autopilot will come on in ROL (wings leveler) and VS (Vertical Speed) modes. The VS mode initial rate-of-climb will be the vertical speed at the time the autopilot is engaged. Do not engage the autopilot when the airplane cannot hold the climb rate because of excessive pitch attitude, low airspeed, low engine power or high airplane weight. Do not engage the autopilot when the performance or operation of the autopilot or airplane would not obey the limitations.

(Continued Next Page)

## **NORMAL PROCEDURES** (Continued)

- a The autopilot can hold a Vertical Speed selection only if engine power and airplane weight are correct for the conditions. If the vertical speed set for the autopilot is more than the airplane can supply and airspeed decreases sufficiently, the airplane can be made to stall. Make sure that the vertical speed set for the autopilot results in airplane performance that stays in the operating limitations of both the autopilot and the airplane.
- a When operating at or near the best-rate-of-climb airspeed, with the engine set to climb power or when in Vertical Speed mode, it can be easy to slow to airspeeds where any additional reduction in airspeed will result reduced rate-of-climb. Hold sufficient airspeed during Vertical Speed mode operation to avoid a stall.
- c. AP Button - PUSH and HOLD to engage the autopilot. Make sure that ROL and VS are shown on the face of the autopilot. If no selection of other operating modes is made, the autopilot will operate in ROL and VS modes.

### **NOTE**

When operating in ROL mode, turbulence may result in changes to airplane heading. ROL mode only works to keep the wings level. When tracking the ILS course outbound on the missed approach procedure, use NAV mode to prevent unwanted GS coupling.

### **BEFORE LANDING**

1. A/P DISC/TRIM INT Switch - PUSH to disengage the autopilot.

### **PERFORMANCE**

There is no change in airplane performance when the KAP 140 Autopilot is installed. See Section 2 for Limitations that can have an effect on airplane performance.

**Pilot's Operating Handbook and  
FAA Approved Airplane Flight Manual**

**CESSNA MODEL 182T**

**NAV III AIRPLANES**

**SUPPLEMENT 4**

**L3 COMMUNICATIONS  
WX-500 STORMSCOPE®**

SERIAL NO. _____
REGISTRATION NO. _____

This supplement must be inserted into Section 9 of the Pilot's Operating Handbook and FAA Approved Airplane Flight Manual when the L3 Communications WX-500 Stormscope® is installed.

**APPROVED BY**

FAA APPROVED UNDER FAR 21 **SUBPART J**  
The Cessna Aircraft Co.  
Delegation Option Authorization **DOA-100129-CE**

*Michael D. Holley* Executive Engineer  
*MD*

DATE OF APPROVAL 03 JUNE 2004

 Member of GAMA  
**3 JUNE 2004**

COPYRIGHT © 2004  
CESSNA AIRCRAFT COMPANY  
WICHITA, KANSAS, USA

182TPHAUS-S4-00

U.S. S4-1

## SUPPLEMENT 4

### L3 COMMUNICATIONS WX-500 STORMSCOPE®

Use the Log of Effective Pages to determine the current status of this supplement.

Pages affected by the current revision are indicated by an asterisk (\*) preceding the page number.

Supplement Status	Date
Original Issue	3 June 2004

#### LOG OF EFFECTIVE PAGES

---

Page Number	Page Status	Revision Number
S4-1 thru S4-7/S4-8	Original	0



## SERVICE BULLETIN CONFIGURATION LIST

The following is a list of Service Bulletins that are applicable to the operation of the airplane, and have been incorporated into this supplement. This list contains only those Service Bulletins that are currently active.

<u>Number</u>	<u>Title</u>	<u>Airplane Serial Effectivity</u>	<u>Revision Incorporated</u>	<u>Incorporated in Airplane</u>
---------------	--------------	--	----------------------------------	-------------------------------------

## **L3 COMMUNICATIONS WX-500 STORMSCOPE®**

### **GENERAL**

The L3 Communications WX-500 Stormscope® Series II Weather Mapping Sensor is a "black-box" type weather sensor/processor that uses an external controller/display unit for control input and output display functions. In this aircraft, the WX-500 is integrated with the Garmin G1000 Integrated Cockpit System Multifunction Display (MFD) for the control and display of all Stormscope® functions. See the G1000 Cockpit Reference Guide for more information regarding operation of the G1000 Multifunction Display.

### **CAUTION**

THE L3 Communications WX-500 STORMSCOPEB IS APPROVED FOR USE ONLY IN AVOIDING HAZARDOUS WEATHER (THUNDERSTORMS); USE OF THE WX-500 TO PENETRATE HAZARDOUS WEATHER IS PROHIBITED.

The L3 Communications WX-500 Stormscope® sensor detects electrical discharge (lightning) activity through a dedicated antenna mounted on the bottom of the airplane. The Stormscope® processor continuously acquires electrical discharge data and performs self-test functions to ensure that the data presented to the pilot is always current and reliable when displayed. The system is heading-stabilized, so that the proper orientation of displayed data relative to the airplane position during maneuvering is maintained.

The Stormscope® maps electrical discharge activity at ranges up to 200 nautical miles (nm) and displays that activity map to the flight crew, either centered on the airplane position (360° view) or ahead of the airplane position through 60" on either side of the airplane heading (120" view).

(Continued Next Page)

## **GENERAL** (Continued)

No dedicated external power control for the WX-500 Stormscope® is provided. The WX-500 is powered through the AVIONICS BUS 1 switch and is current-protected by the STORM SCOPE circuit breaker. At startup, the WX-500 will perform self-tests and provide error messages, if necessary, through the G1000 Primary Flight Display (PFD) ALERTS window and MFD MAP-WEATHER MAP page. See the WX-500 User's Guide for recommended actions if an error message appears.

WX-500 weather data can be displayed on the MFD MAP-WEATHER MAP page or may be displayed (overlaid) on the MAP-NAVIGATION MAP page and/or the PFD INSET MAP display. From the MFD MAP-WEATHER MAP page, the user may select the desired view (360" or 120") by pressing the VIEW softkey. The range (25 to 200 nautical miles) may be set by rotating the RNG control knob on the MFD bezel. The user may also choose between Strike or Cell display modes using the MODE softkey. See the WX-500 User's Guide for information regarding Strike and Cell mode display differences.

(Continued Next Page)

## **GENERAL** (Continued)

To overlay weather data on the MFD MAP-NAVIGATION MAP page, select the MAP softkey, then select the LTNG softkey and finally select the BACK softkey to return to the map. Availability will be shown by a lightning bolt icon in the lower RH corner of the map page (grouped with icons for TRAFFIC, TOPO and TERRAIN, if selected ON). Lightning strikes will be depicted on the Map Mode display as yellow lightning bolts. The Stormscope® display mode (Strike or Cell) will be as selected on the MAP-WEATHER MAP page. The View setting will be 120" ARC and the Range setting will match the NAVIGATION MAP range selection to 200 nm.

### **NOTE**

In evaluating lightning strike data, it may be useful to clear the accumulated strike points on the display from time to time and then monitoring the reappearance of strike activity on the cleared display.

## **OPERATING LIMITATIONS**

The L3 Communications WX-500 Stormscope® is approved only as an aid to hazardous weather (thunderstorm) avoidance; use for hazardous weather penetration is prohibited.

The Honeywell Bendix/King® KMD 550 Multi-Function Display Pilot's Guide must be available to the flight crew when operating the WX-500 Stormscope®.

The WX-500 Stormscope® Series II Weather Mapping Sensor User's Guide must be available to the flight crew when operating the WX-500 Stormscope®.

## **EMERGENCY PROCEDURES**

There is no change to the airplane emergency procedures when the L3 Communications WX-500 Stormscope® is installed.

## **NORMAL PROCEDURES**

Static discharge from the static wicks on the tail may cause false indications of lightning strikes at the 6 o'clock position with the 200 nm range selected.

Refer to the WX-500 User's Guide under "Error Message Recommended Actions" for discontinuing use of the Stormscope® if a Stormscope® error message appears.

## **PERFORMANCE**

There is no change to the airplane performance when the L3 Communications WX-500 Stormscope® is installed.



**Pilot's Operating Handbook and  
FAA Approved Airplane Flight Manual**


**CESSNA MODEL 182T  
NAV III AVIONICS OPTION**

**SUPPLEMENT 5  
BRAZILIAN CERTIFIED AIRPLANES**

SERIAL NO. _____
REGISTRATION NO. _____

This supplement must be inserted into Section 9 of the Pilot's Operating Handbook and FAA Approved Airplane Flight Manual when used for Brazilian Certified Airplanes and is approved by the U.S. Federal Aviation Administration (FAA) on behalf of the Brazilian Centro Tecnico Aeroespacial (CTA).

**APPROVED BY**

FAA APPROVED UNDER 14 CFR PART 21 SUBPART J  
Cessna Aircraft Co.  
Distribution Option Authorization DCA-28004-CE  
 DCA Administrator



**Member of GAMA**

**DATE OF APPROVAL**

10-28-04

**28 OCTOBER 2004**

**COPYRIGHT © 2004  
CESSNA AIRCRAFT COMPANY  
WICHITA, KANSAS, USA**

**30 JANUARY 2006**

## SUPPLEMENT 5

### BRAZILIAN CERTIFIED AIRPLANES

Use the Log of Effective Pages to determine the current status of this supplement.

Pages affected by the current revision are indicated by an asterisk (\*) preceding the page number.

<u>Supplement Status</u>	<u>Date</u>
Original Issue	28 October 2004
Revision 1	30 January 2006

### LOG OF EFFECTIVE PAGES

---

Page Number	Page Status	Revision Number
* S5-1 thru S5-2	Revised	1
S5-3 thru S5-4	Original	0
* S5-5/S5-6	Revised	1

#### APPROVEDBY

FAA APPROVED UNDER 14 CFR PART 21 SUBPART J  
Cessna Aircraft Co.  
Delegation Option Authorization DCA-030804-CE

*Theresa E. Huff* Administrator *TH*

#### DATE OF APPROVAL

30 JANUARY 2006

S5-2 U.S

FAA APPROVED  
182TPHAUS-S5-01



## SERVICE BULLETIN CONFIGURATION LIST

The following is a list of Service Bulletins that are applicable to the operation of the airplane, and have been incorporated into this supplement. This list contains only those Service Bulletins that are currently active.

<u>Number</u>	<u>Title</u>	<u>Airplane Serial</u>	<u>Revision</u>	<u>Incorworated</u>
		<u>Effectivity</u>		<u>Incorporated</u> in Airwlane

## **GENERAL**

This supplement is required for Brazilian operation of Cessna Model 182T With Nav III Avionics option.

## **OPERATING LIMITATIONS**

There is no change to the airplane operating limitations when used for Brazilian operation.

## **EMERGENCY PROCEDURES**

There is no change to the airplane emergency procedures when used for Brazilian operation.

## **NORMAL PROCEDURES**

There is no change to the airplane normal procedures when used for Brazilian operation.

## **PERFORMANCE**

There is no change to the airplane performance when used for Brazilian operation.

## LOG OF CTA APPROVED SUPPLEMENTS

The following list contains CTA accepted supplements. Refer to Log of Approved Supplements in the basic Pilot's Operating Handbook and FAA Approved Airplane Flight Manual for revision status.

Supplement Number	Name	Equipment Installed
1	Pointer Model 3000-11 Or Model 4000-11 Emergency Locator Transmitter (ELT)	_____
2	Reserved	_____
3	Bendix/King KAP 140 2 Axis Autopilot	_____
4	L3 Communications WX-500 Stormscope	_____
5	Brazilian Certified Airplanes	_____
6	Reserved	_____
7	Reserved	_____
8	Bendix/King KR 87 Automatic Direction Finder (ADF)	_____
9	Reserved	_____



**Pilot's Operating Handbook and  
FAA Approved Airplane Flight Manual**

**CESSNA MODEL 182T  
NAV III AVIONICS OPTION**

**SUPPLEMENT 7  
ARTEX C406-N  
EMERGENCY LOCATOR TRANSMITTER (ELT)**

SERIAL NO. _____
REGISTRATION NO. _____

This supplement must be inserted into Section 9 of the Pilot's Operating Handbook and FAA Approved Airplane Flight Manual when the Artex C406-N Emergency Locator Transmitter (ELT) is installed.

APPROVED BY

FAA APPROVED UNDER 14 CFR PART 21 SUBPART J  
Cessna Aircraft Co.  
Delegation Order Authority DCA-23394-02

*Jerini E. [Signature]*



Member of GAMA

DATE OF APPROVAL 14 FEBRUARY 2006

**14 FEBRUARY 2006**

COPYRIGHT © 2006  
CESSNA AIRCRAFT COMPANY  
WCHITA, KANSAS, USA

182TPHAUS-S7-00

U.S.

S7-1

## SUPPLEMENT 7

### ARTEX C406-N EMERGENCY LOCATOR TRANSMITTER (ELT)

Use the Log of Effective Pages to determine the current status of this supplement.

Pages affected **by** the current revision are indicated **by** an asterisk (\*) preceding the page number.

<u>Supplement Status</u>	<u>Date</u>
Original Issue	14 February 2006

### LOG OF EFFECTIVE PAGES

---

Page Number	Page Status	Revision Number
S7-1 thru S7-6	Original	0

S7-2            U.S.

FAA APPROVED  
182TPHAUS-S7-00

## SERVICE BULLETIN CONFIGURATION LIST

The following is a list of Service Bulletins that are applicable to the operation of the airplane, and have been incorporated into this supplement. This list contains only those Service Bulletins that are currently active.

<u>Number</u>	<u>Title</u>	<u>Airplane Serial Revision</u>	<u>Incorporated</u>
		<u>Effectivity</u>	<u>Incorporated in Airplane</u>

## **ARTEX C406-N EMERGENCY LOCATOR TRANSMITTER (ELT)**

### **GENERAL**

The Artex C406-N Emergency Locator Transmitter (ELT) installation uses a solid-state 3-frequency transmitter powered by an internal lithium battery, with an instrument panel-mounted ELT control switch assembly that includes a red warning light and an external antenna mounted on the top of the tailcone. The ELT control switch assembly is installed along the top right side of the instrument panel and controls ELT operating modes from the flight crew station. When the ELT control switch is set to the ARM position, the transmitter is energized only when the internal "G-switch" senses longitudinal inertia forces per TSO-C91a/TSO-C126. When the ELT control switch is set to the ON position, the transmitter is immediately energized.

The C406-N transmitter unit is located in the tailcone along the right side behind the baggage compartment ail panel. An ON/OFF switch is built into the front case of the C406-N transmitter unit.

The ELT installation uses two different warnings to tell the pilot when the ELT is energized. The aural warning is an unusual sound that is easily heard by the pilot. The visual warning is a flashing red light directly above the ELT control switch that shows the pilot that the ELT has been activated.

The C406-N transmits the standard 3-scan per second signal on the international VHF and UHF distress frequencies of 121.5 MHz and 243.0 MHz. General aviation, commercial aircraft and government agencies monitor 121.5 MHz, while 243.0 MHz is monitored by the military. When energized, the C406-N will continue to transmit on 121.5 MHz and 243.0 MHz until the unit has exhausted the lithium battery, which will take at least 72 hours.

When the C406-N is energized, digital data will also be transmitted at 50 second intervals on 406.028 MHz for detection by the Cospas Sarsat satellite system. The data includes the Airplane ID and GPS position coordinates. The coordinates can locate the transmitter to within 100 meters. When energized, the 406.028 MHz transmitter will operate for 24 hours, and then de-energize automatically.



## OPERATING LIMITATIONS

There are no additional airplane operating limitations when the Artex C406-N ELT is installed.

The airplane owner or operator must register the C406-N ELT with the applicable civil aviation authority before use to make sure that the identification code transmitted by the ELT is in the Copas/Sarsat database. Refer to [www.copas-sarsat.com](http://www.copas-sarsat.com) for registration information.

Refer to 14 CFR 91.207 for ELT inspection requirements. The C406-N must be inspected and tested by an approved technician using the correct test equipment with the ELT either connected to a dummy load antenna or in a radio frequency shielded enclosure. Do not use the ON position of the ELT control switch to check transmitter output.

## EMERGENCY PROCEDURES

If a forced landing is necessary, set the ELT control switch to the ON position before landing. This is very important in remote or mountainous terrain. The red warning light above the ELT control switch will flash and the aural warning will be heard.

After a landing when search and rescue aid is needed, use the ELT as follows:

1. MAKE SURE THE ELT IS ENERGIZED:
  - a. If the red warning light above the ELT control switch is not flashing, set the ELT control switch to the ON position.
  - b. Listen for the aural warning. If the COM radio(s) operate and can be energized safely (no threat of fire or explosion), energize a COM radio and set the frequency to 121.5 MHz. The ELT tone should be heard on the COM radio if the ELT is working correctly. When done, de-energize the COM radio(s) to conserve the airplane battery power.
  - c. Make sure that nothing is touching or blocking the ELT antenna.
2. AFTER RESCUE - Set the ELT control switch to the ARM position to de-energize the ELT. If the ELT control switch does not function, set the switch on the C406-N (in the tailcone) to the OFF position.

## **NORMAL PROCEDURES**

When operating in a remote area or over hazardous terrain, it is recommended that the ELT be inspected by an approved technician more frequently than required by 14 CFR 91.207.

### **NORMAL OPERATION**

1. Check that the ELT control switch (on the right instrument panel) is set to the ARM position.

Normal operation of the C406-N from the flight crew station is only to de-energize and arm the ELT after it has been accidentally energized (no emergency).

The ELT can be energized by a lightning strike or hard landing. If the red light above the ELT control switch is flashing and the aural warning is heard, the ELT is energized. Check for the emergency signal on a COM radio set to 121.5 MHz. To stop the transmissions, set the ELT control switch to the ON position momentarily and then set to the ARM position. Tell the nearest Air Traffic Control facility about the accidental transmissions as soon as possible to hold search and rescue work to a minimum.

## **PERFORMANCE**

There is no change to the airplane performance when the Artex C406-N ELT is installed.

**Pilot's Operating Handbook and  
FAA Approved Airplane Flight Manual**

**CESSNA MODEL 182T  
NAV III AVIONICS OPTION**

**SUPPLEMENT 8  
BENDIX/KING KR87  
AUTOMATIC DIRECTION FINDER (ADF)**

SERIAL NO. _____
REGISTRATION NO. _____

This supplement must be inserted into Section 9 of the Pilot's Operating Handbook and FAA Approved Airplane Flight Manual when the Bendix/King KR 87 Automatic Direction Finder (ADF) is installed.

**APPROVED BY**

FAA APPROVED UNDER 14 CFR PART 21 SUBPART J  
Cessna Aircraft Co.  
Delegation Option Authorization DQA-228804-02

*Terence E. Hoff* Administrator *VEJ*



Member of GAMA

DATE OF APPROVAL 22 DECEMBER 2005

**22 DECEMBER 2005**

COPYRIGHT © 2005  
CESSNA AIRCRAFT COMPANY  
WICHITA, KANSAS, USA

182TPHAUS-S8-00

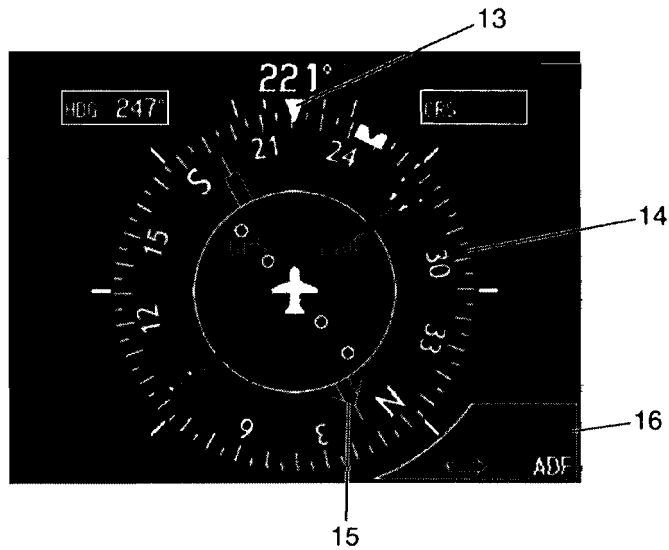
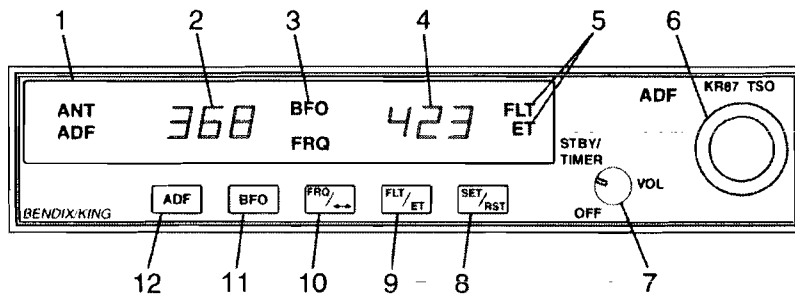
U.S. S8-1

## SERVICE BULLETIN CONFIGURATION LIST

The following is a list of Service Bulletins that are applicable to the operation of the airplane, and have been incorporated into this supplement. This list contains only those Service Bulletins that are currently active.

<u>Number</u>	<u>Title</u>	<u>Airplane Serial</u>	<u>Revision</u>	<u>Incoraorated</u>
		<u>Effectivity</u>	<u>Incorporated</u>	<u>in Airplane</u>

### BENDIX/KING KR87 AUTOMATIC DIRECTION FINDER (ADF)



0585T1043  
0585T1065

Figure S8-1

FAA APPROVED  
182TPHAUS-S8-00

U.S. S8-5

**GENERAL (CONTINUED)**

1. **ANT/ADF MODE ANNUNCIATOR** - Antenna (ANT) is selected when the ADF button is in the OUT position. This mode improves the audio reception and is usually used for station identification. The bearing pointer is deactivated and will park in the 90° relative position. Automatic Direction Finder (ADF) mode is selected by pushing the ADF button. This mode activates the bearing pointer and will point in the direction of the station relative to the aircraft heading.
2. **ACTIVE FREQUENCY DISPLAY** - The frequency to which the ADF is tuned is displayed here. The active ADF frequency can be changed directly when either of the timer functions is selected.
3. **BFO (Beat Frequency Oscillator) ANNUNCIATOR** - The BFO mode is activated and annunciated by pushing the BFO button. When BFO mode is active, the carrier wave and its morse code identifier can be heard.

**NOTE**

CW signals (Morse Code) are unmodulated and no audio will be heard without use of BFO. This type of signal is not used in the United States air navigation. It is used in some foreign countries and marine beacons.

4. **STANDBY FREQUENCY/FLIGHT TIME OR ELAPSED TIME DISPLAY** - When FRQ is shown, the STANDBY frequency is shown in the right display. The STANDBY frequency is selected using the frequency select knobs. The selected STANDBY frequency is put into the active frequency window by pushing the frequency transfer button. Either the standby frequency, the flight timer, or the elapsed time is shown in this position. The flight timer and elapsed timer replace the standby frequency which goes into blind memory to be called back at any time by pushing the FRQ button. Flight time or elapsed time are shown and annunciated by depressing the FLT/ET button.
5. **FLIGHT TIMER AND ELAPSED TIMER MODE ANNUNCIATION** - Either the elapsed time (ET) or flight time (FLT) mode is annunciated here.

(Continued Next Page)

**GENERAL (CONTINUED)**

6. **FREQUENCY SELECT KNOBS** - Selects the standby frequency when FRQ is displayed and directly selects the active frequency whenever either of the time functions is selected. The frequency selector knobs may be turned either clockwise or counterclockwise. The small knob is pulled out to tune the 1's. The small knob is pushed in to tune the 10's. The outer knob tunes the 100's with rollover into the 1000's up to 1799. These knobs are also used to set the desired time when the elapsed timer is used in the countdown mode.
7. **ONIOFFNOLUME CONTROL SWITCH (ONIOFFNOL)** - Controls power and audio output level. Turn the control switch clockwise from the OFF position to energize the receiver and increase audio volume. The KR87 has audio muting which causes the audio output to be muted unless the receiver is locked on a valid station.
8. **SET/RESET ELAPSED TIMER BUTTON (SET/RST)** - The SET/RST button resets the elapsed timer whether it is being displayed or not.
9. **FLIGHT TIMER/ELAPSED TIMER MODE SELECTOR BUTTON (FLTJET)** -- The FLTJET button selects either Flight Timer mode or Elapsed Timer mode when pushed.
10. **FREQUENCY TRANSFER BUTTON (FRQ)** - The FRQ transfer button interchanges the active and standby frequencies when pushed.
11. **BFO (Beat Frequency Oscillator) BUTTON** - The BFO button selects the BFO mode when pushed in. (See note under item 3).
12. **ADF BUTTON** - The ADF button selects either the ANT mode or the ADF mode. The ANT mode is selected when the ADF button is in the out position. The ADF mode is selected when the ADF button is pushed in.
13. **LUBBER LINE** - Indicates magnetic heading of the airplane.
14. **ROTATING COMPASS ROSE (HSI COMPASS CARD)** - The rotating compass rose turns as the heading of the airplane changes. The magnetic heading of the airplane is under the lubber line.
15. **BEARING POINTER** - Shows magnetic bearing to the station.
16. **BEARING INFORMATION WINDOW** - Shows the type of pointer that is being used as the ADF bearing pointer. If ADF is not shown, push the BRG1 or BRG2 softkey until ADF is shown.

## **OPERATING LIMITATIONS**

Refer to Section 2 of the Pilot's Operating Handbook and FAA Approved Flight Manual (POHIAFM).

## **EMERGENCY PROCEDURES**

There is no change to the airplane emergency procedures when the Bendix/King KR 87 Automatic Direction Finder (ADF) is installed.

## **NORMAL PROCEDURES**

### **TO OPERATE AS AN AUTOMATIC DIRECTION FINDER:**

1. OFFNOL Control - ON
2. Frequency Selector Knobs - SELECT desired frequency in the standby frequency display.
3. FRQ Button - PUSH to move the desired frequency from the standby to the active position.
4. ADF Selector Switch (on audio control panel) - SELECT as desired.
5. OFFNOL Control - SET to desired volume level and identify that desired station is being received.
6. PFD Softkey (on PFD) - PUSH to show BRG1 and BRG2 softkeys.
7. BRG1 or BRG2 Softkey (on PFD) - PUSH to show ADF in Bearing Information Window.
8. ADF Button - SELECT ADF mode and note magnetic bearing on HSI.

(Continued Next Page)



## **NORMAL PROCEDURES (CONTINUED)**

### **ADF TEST (PREFLIGHT or IN FLIGHT):**

1. ADF Button - SELECT ANT mode and note pointer moves to 90° position.
2. ADF Button - SELECT ADF mode and note the pointer moves without hesitation to the station bearing. Excessive pointer sluggishness, wavering or reversals indicate a signal that is too weak or a system malfunction.

### **TO OPERATE BFO:**

1. OFFNOL Control - ON
2. BFO Button - PRESS ON
3. ADF Selector Buttons (on audio control panel) - SET to desired mode.
4. VOL Control - ADJUST to desired listening level.

#### **NOTE**

A 1000-Hz tone and Morse Code identifier is heard in the audio output when a CW signal is received.

### **TO OPERATE FLIGHT TIMER:**

1. OFFNOL Control - ON
2. FLT/ET Mode Button - PRESS (once or twice) until FLT is annunciated. Timer will already be counting since it is activated by turning the unit on.
3. OFFNOL Control - OFF and then ON if it is desired to reset the flight timer.

### **TO OPERATE AS A COMMUNICATIONS RECEIVER ONLY:**

1. OFFNOL Control - ON
2. ADF Button - SELECT ANT mode
3. Frequency Selector Knobs - SELECT desired frequency in the standby frequency display.
4. FRQ Button - PRESS to move the desired frequency from the standby to the active position.
5. ADF Selector Buttons (on audio control panel) - SET to desired mode.
6. VOL Control - ADJUST to desired listening level.

(Continued Next Page)

## **NORMAL PROCEDURES (CONTINUED)**

### **TO OPERATE ELAPSED TIME TIMER-COUNT UP MODE:**

1. OFFNOL Control - ON
2. FLTIET Mode Button - PRESS (once or twice) until ET is annunciated.
3. SETIRST Button - PRESS momentarily to reset elapsed timer to zero.

#### **NOTE**

The Standby Frequency which is in memory while Flight Time or Elapsed Time modes are being displayed may be called back by pushing the FRQ button, then transferred to active by pushing the FRQ button again.

### **TO OPERATE ELAPSED TIME TIMER COUNT DOWN MODE:**

1. OFFNOL Control - ON
2. FLTIET Mode Button - PRESS (once or twice) until ET is annunciated.
3. SETIRST Button - PRESS until the ET annunciation begins to flash.
4. FREQUENCY SELECTOR KNOBS - SET desired time in the elapsed time display. The small knob is pulled out to tune the 1's. The small knob is pushed in to tune the 10's. The outer knob tunes minutes up to 59 minutes.

#### **NOTE**

Selector knobs remain in the time set mode for 15 seconds after the last entry or until the SETIRST, FLTIET or FRQ button is pressed.

5. SETIRST Button - PRESS to start countdown. When the timer reaches 0, it will start to count up as display flashes for 15 seconds.

#### **NOTE**

While FLT or ET are displayed, the active frequency on the left side of the window may be changed, by using the frequency selector knobs, without any effect on the stored standby frequency or the other modes.

(Continued Next Page)

## **NORMAL PROCEDURES (CONTINUED)**

### **ADF OPERATION NOTES:**

#### **ERRONEOUS ADF BEARING DUE TO RADIO FREQUENCY PHENOMENA:**

In the U.S., the FCC, which assigns AM radio frequencies, occasionally will assign the same frequency to more than one station in an area. Certain conditions, such as Night Effect, may cause signals from such stations to overlap. This should be taken into consideration when using AM broadcast stations for navigation.

Sunspots and atmospheric phenomena may occasionally distort reception so that signals from two stations on the same frequency will overlap. For this reason, it is always wise to make positive identification of the station being tuned, by switching the function selector to ANT and listening for station call letters.

#### **ELECTRICAL STORMS:**

In the vicinity of electrical storms, an ADF indicator pointer tends to swing from the station tuned toward the center of the storm.

#### **NIGHT EFFECT:**

This is a disturbance particularly strong just after sunset and just after dawn. An ADF indicator pointer may swing erratically at these times. If possible, tune to the most powerful station at the lowest frequency. If this is not possible, take the average of pointer oscillations to determine station bearing.

#### **MOUNTAIN EFFECT:**

Radio waves reflecting from the surface of mountains may cause the pointer to fluctuate or show an erroneous bearing. This should be taken into account when taking bearings over mountainous terrain.

#### **COASTAL REFRACTION:**

Radio waves may be refracted when passing from land to sea or when moving parallel to the coastline. This also should be taken into account.

## **PERFORMANCE**

There is no change in airplane performance when the Bendix/King KR 87 Automatic Direction Finder (ADF) is installed. However, the installation of an externally mounted antenna or related external antennas, will result in a minor reduction in cruise performance.



---

**Pilot's Operating Handbook  
and  
FAA Approved Airplane Flight Manual**

**CESSNA MODEL 182T  
NAV III AVIONICS OPTION**

**SUPPLEMENT 9**

**ARGENTINE CERTIFIED AIRPLANES**

SERIAL NO. _____
REGISTRATION NO. _____

This supplement must be inserted into Section 9 of the Pilot's Operating Handbook and FAA Approved Airplane Flight Manual when used for Argentine Certified Airplanes. This Airplane Flight Manual Supplement is approved in accordance with Section 21.29 of DNAR 21 for Argentine registered airplanes and is approved by the US Federal Aviation Administration (FAA) on behalf of the Dirección Nacional de Aeronavegabilidad (D.N.A.).



APPROVED BY

FAA APPROVED UNDER 14 CFR PART 21 SUBPART J  
Cessna Aircraft Co.  
Delegation Option Authorization DCA-230894-CE

*Michael P. Kelly* DCA Administrator  
07-28-05

DATE OF APPROVAL

**28 JULY 2005**

COPYRIGHT © 2005  
CESSNA AIRCRAFT COMPANY  
WICHITA, KANSAS, USA

182TPHAUS-S9-00

U.S. S9-1

## SUPPLEMENT 9

### ARGENTINE CERTIFIED AIRPLANES

Use the Log of Effective Pages to determine the current status of this supplement.

Pages affected by the current revision are indicated by an asterisk (\*) preceding the page number.

Supplement Status	Date
Original Issue	28 JULY 2005

#### LOG OF EFFECTIVE PAGES

---

Page Number	Page Status	Revision Number
S9-1 thru S9-13/S9-14	Original	0

## SERVICE BULLETIN CONFIGURATION LIST

The following is a list of Service Bulletins that are applicable to the operation of the airplane, and have been incorporated into this supplement. This list contains only those Service Bulletins that are currently active.

<u>Number</u>	<u>Title</u>	<u>Airplane Serial Effectivity</u>	<u>Revision Incorporated</u>	<u>Incorporated in Airplane</u>
---------------	--------------	--	----------------------------------	-------------------------------------

## **ARGENTINE CERTIFIED AIRPLANES**

### **GENERAL**

This supplement is part of, and must be placed in, the basic Pilot's Operating Handbook and FAA Approved Airplane Flight Manual for Argentine Registered Airplanes for operation of Cessna Model 182T equipped with the Nav III Avionics Option. The information herein supplements the information of the basic Pilot's Operating Handbook and FAA Approved Airplane Flight Manual. For limitations, procedures and performance information not contained in the supplement, consult the basic FAA Approved Airplane Airplane Flight Manual.

### **OPERATING LIMITATIONS**

#### **GLOBAL POSITIONING SYSTEM (G.P.S.)**

The Global Positioning System (GPS) has not been approved by the D.N.A. for use as a supplementary navigation method for operations in terminals areas or during approach and landing procedures.

### **KINDS OF OPERATIONS LIMITS**

The Argentine Certified Cessna 182T Nav III airplane is approved for DAY - NIGHT VFR operations only. Flight into known-icing conditions is prohibited.

The operator shall contact the competent operation authority to obtain authorization for the type of operation (DAY-NIGHT VFR), according to the airplane equipment list.

For DAY VFR, in addition to the indications in the table: Kinds of Operation Equipment List, a clock (displaying hours, minutes and seconds with a sweep second pointer or a digital presentation) must be provided.

For NIGHT VFR, in addition to the indications in the table: Kinds of Operation Equipment List, a variometer, a turn indicator, a clock (displaying hours, minutes and seconds with a sweep second pointer or a digital presentation and a flashlight must be provided.



## PLACARDS

The following information must be displayed in the form of composite or individual placards.

1. In full view of the pilot: (The "DAY-NIGHT-VFR" entry, shown on the example below, will vary with installed equipment).

The markings and placards installed in this airplane contain operating limitations which must be complied with when operating this airplane in the Normal Category. Other operating limitations which must be complied with when operating this airplane in this category are contained in the Pilot's Operating Handbook and DNA Approved Airplane Flight Manual.

No acrobatic maneuvers, including spins, approved.

Flight into known icing conditions prohibited.

This airplane is certified for the following flight operations as of date of original airworthiness certificate:

DAY-NIGHT-VFR

Las marcas y placas instaladas en este avion contienen limitaciones operativas que deben ser cumplidas al operar este avion en la Categoria Normal. En el Manual de Operaciones del Piloto y en el Manual de Vuelo del Avion aprobado por la DNA estan contenidas otras limitaciones operativas que se deben cumplir al operar el avion en esta categoria.

No estan aprobadas las maniobras acrobaticas, incluidas barrenas.

Esta prohibido el vuelo en condiciones conocidas de formaci3n de hielo.

Este avion esta certificado para las siguientes operaciones de vuelo a partir de la fecha del certificado de aeronavegabilidad original:

DIA - NOCHE - VFR

(Continued Next Page)

**PLACARDS** (Continued)

2. On control lock:

CAUTION! CONTROL LOCK REMOVE BEFORE STARTING ENGINE
ADVERTENCIA! TRABA DE LOS MANDOS DESTRABAR ANTES DE ARRANCAR EL MOTOR

(Continued Next Page)

**PLACARDS** (Continued)

3. On the fuel selector valve:

BOTH 87.0 GAL. TAKEOFF LANDING- ALL FLIGHT ATTITUDES		
FUEL SELECTOR		
PUSH DOWN ROTATE		
LEFT 43.5 GAL. LEVEL FLIGHT ONLY		RIGHT 43.5 GAL. LEVEL FLIGHT ONLY
OFF		
AMBOS 329,46 LTS. DESPEGUE ATERRIJAJE TODAS LAS ALTITUDES DE VUELO		
SELECTOR DE COMBUSTIBLE		
APRETAR GIRAR		
IZQUIERDA 164,67 LTS. VUELO HORIZONTAL SOLAMENTE		DERECHA 164,67 LTS. VUELO HORIZONTAL SOLAMENTE
CORTAR		

(Continued Next Page)

**PLACARDS** (Continued)

4. Near fuel tank filler cap:

E I E I 100LL/100 MIN. GRADE AVIATION GASOLINE CAP. 164.66 LTS. (43.5 U.S. GAL.) USABLE CAP. 121.13 LTS. (32.0 U.S. GAL.) USABLE TO BOTTOM OF FILLER INDICATOR TAB
--

NAFTA DE AVIACION GRADO 100LL/100 MIN. CAP. 164.66 LTS. (43.5 U.S. GALOMES) CAP. UTILIZABLE 121.13 LTS. (32.0 U.S. GALONES) UTILIZABLE HASTA LA PARTE INFERIOR DE LA ALETA INDICADORA DE LLENADO.
---

5. On flap control indicator:

0° to 10"      140 KIAS	(Initial flap range with Dark Blue color code; mechanical detent at 10" position)
10" to 20"      120 KIAS	(Intermediate flap range with Light Blue color code; mechanical detent at 20" position)
20" to FULL      100 KIAS	(Full flap range with White color code; mechanical stop at FULL position)
0° to 10"      140 KIAS	(Alcance del movimiento inicial del flap con color Azul Oscuro; detencion mecanica en la posicion 10")
10" to 20"      120 KIAS	(Alcance del movimiento intermedio del flap con codigo de color Azul Claro; detencion mecanica en la posicion 20°)
20° to FULL      100 KIAS	(Alcance del movimiento total (Full) del flap con codigo de color Blanco; detencion mecanica en la posicion FULL).

(Continued Next Page)

**PLACARDS** (Continued)

6. In baggage compartment:

120 POUNDS MAXIMUM BAGGAGE FORWARD OF BAGGAGE DOOR LATCH AND 80 POUNDS MAXIMUM BAGGAGE AFT OF BAGGAGE DOOR LATCH MAXIMUM 200 POUNDS COMBINED FOR ADDITIONAL LOADING INSTRUCTIONS SEE WEIGHT AND BALANCE DATA
54.43 kg. (120 LIBRAS DE EQUIPAJE MAXIMO POR DELANTE DE LA TRABA DE LA PUERTA DE EQUIPAJE Y 36.28 (80 LIBRAS) DE EQUIPAJE MAXIMO POR DETRAS DE LA TRABA DE LA PUERTA DE EQUIPAJE MAXIMO 97.71 Kg. (200 LIBRAS) COMBINADO PARA INSTRUCCIONES ADICIONALES DE CARGA VER LOS DATOS DE PESO Y BALANCEO

7. A calibration card must be provided to indicate the accuracy of the magnetic compass in 30" increments.

Se debe proveer una tarjeta de calibración para indicar la exactitud de la brújula magnética en incrementos de 30°.

8. On the oil filler cap:

OIL 9 QTS
ACEITE 9 QTS

(Continued Next Page)

**PLACARDS** (Continued)

9. Near airspeed indicator:

MANEUVERING SPEED - 110 KIAS
VELOCIDAD DE MANIOBRA - 110 KIAS

10. On the upper right instrument panel:

SMOKING PROHIBITED
PROHIBIDO FUMAR

11. On auxiliary power plug door and second placard on battery box:

CAUTION 24 VOLTS D.C. THIS AIRCRAFT IS EQUIPPED WITH ALTERNATOR AND A NEGATIVE GROUND SYSTEM. OBSERVE PROPER POLARITY. REVERSE POLARITY WILL DAMAGE ELECTRICAL COMPONENTS.
ADVERTENCIA 24 VOLTIOS D.C. ESTA AERONAVE ESTA EQUIPADA CON ALTERNADOR Y UN SISTEMA DE CONEXIÓN A MASA NEGATIVO RESPECTAR LA POLARIDAD APROPIADA. LA POLARIDAD INVERSA DANARA LOS COMPONENTES ELECTRICOS.

(Continued Next Page)

**PLACARDS** (Continued)

12. On the upper right side of the aft cabin partition:

EMERGENCY LOCATOR TRANSMITTER INSTALLED AFT OF THIS PARTITION MUST BE SERVICED IN ACCORDANCE WITH FAR PART 91.207
TRANSMISOR LOCALIZADOR DE EMERGENCIA INSTALADO EN LA PARTE POSTERIOR DE ESTE TABIQUE SERVICE EN CONFORMIDAD CON DNAR PARTE 91.207

13. Near the center overhead light control:

Flood Light
Luz de Techo

**EMERGENCY PROCEDURES**

There is no change to the airplane emergency procedures when used for Argentine operation.

**NORMAL PROCEDURES**

There is no change to the airplane normal procedures when used for Argentine operation.

**PERFORMANCE**

There is no change to the airplane performance when used for Argentine operation.

## **WEIGHT AND BALANCE/EQUIPMENT LIST**

There is no change to the airplane weight and balance/equipment list when used for Argentine operation.

## **AIRPLANE AND SYSTEM DESCRIPTION**

There is no change to the airplane and system description when used for Argentine operation.



## LOG OF D.N.A. ACCEPTED SUPPLEMENTS

The following list contains DNA accepted supplements. Refer to Log of Approved Supplements in the basic Pilot's Operating Handbook and FAA Approved Airplane Flight Manual for revision status.

SUPP. NO.	SUPPLEMENT NAME	EQUIPMENT INSTALLED
1	Pointer Model 3000-11 Or Model 4000-11 Emergency Locator Transmitter (ELT)	_____
2	Reserved	
3	Bendix/King KAP 140 2 Axis Autopilot	_____
4	L3 Communications WX-500 Stormscope	_____
5	Reserved	
6	Reserved	
7	Reserved	
8	Reserved	
9	Argentine Certified Airplanes	_____



AMSAFE, Inc  
Inflatable Restraints Division  
1043 N 47<sup>th</sup> Avenue  
Phoenix, AZ 85043  
Document No E508810

FAAAPPROVED  
AIRPLANE FLIGHT MANUAL SUPPLEMENT

to

PILOT'S OPERATING HANDBOOK AND  
FAA APPROVED AIRPLANE FLIGHT MANUAL

for

Cessna Aircraft Corporation  
(Manual **P/Ns**)

**Skyhawk** Models: 172R (PIN **172RPHUS09 & 172R180PHUSXX**)  
**172S** (PIN **172SPHUS05**)

**Skylane** Models: **182S (P/N 182SPHUSXX)**  
182T (**182TPHUS01 & 182TPHAUS-01 NAV III**)  
**T182T** (PIN **T182TPHAUS-00 & T182TPHUS02 NAV III**)

Stationair Models: 206H (PIN **206HPHUS06**)  
**T206H** (PIN **T206HPHUS06**)

Aircraft Reg. No. \_\_\_\_\_ Aircraft SIN: \_\_\_\_\_

This supplement must be attached to the FAA-approved Cessna Aircraft Models 172R, 172.5, 182.5, 182T, T182T, 206H, and T206H associated Pilot's Operating Handbook and FAA Approved Airplane Flight Manual when the Airplane is modified by the installation of AMSAFE Aviation Inflatable Restraint (AAIR<sup>®</sup>) System, V23 Version in accordance with STC No. SA01700LA.

The information contained herein supplements or supersedes the basic manual only in those areas listed herein. For limitations, procedures, and performance information not contained in this supplement consult the associated Pilot's Operating Handbook and FAA Approved Airplane Flight Manual.

FAAAPPROVED \_\_\_\_\_

Manager, Flight Test Branch, **ANM-160L**  
Federal Aviation Administration  
Los Angeles Aircraft Certification Office  
Transport Airplane Directorate

Date November 24, 2004

LOG OF REVISIONS

REV NO	EFFECTED PAGES	DATE	DESCRIPTION	FAA APPROVAL
<b>IR</b>	Title (1) Log Page (2) 3 4	11-24-04 11-24-04 11-24-04 11-24-04	<b>Initial Release</b>	<u>Power</u> Manager, Flight Test Branch, ANM-160L Federal Aviation Administration Los Angeles Aircraft Certification Office Transport Airplane Directorate  Date: <u>November 24, 2004</u>
A	Log Page (2) 3 4	12-21-04 12-21-04 12-21-04	Added information in SECTION 1 and a limitation in SECTION 2. Corrected Moment Arm for system installations in all models.	<u>Original signed by P. Power</u> Manager, Flight Test Branch, ANM-160L Federal Aviation Administration Los Angeles Aircraft Certification Office Transport Airplane Directorate  Date: <u>December 21, 2004</u>
<b>B</b>	Log Page (2) 4		Added weight and balance information summary for Models 172, 182, and 206 without rear bench seat AAIR Systems.	<u>Patrick Power</u> Manager, Flight Test Branch, ANM-160L Federal Aviation Administration Los Angeles Aircraft Certification Office Transport Airplane Directorate.  Date: <u>April 14, 2005</u>

SECTION 1 GENERAL

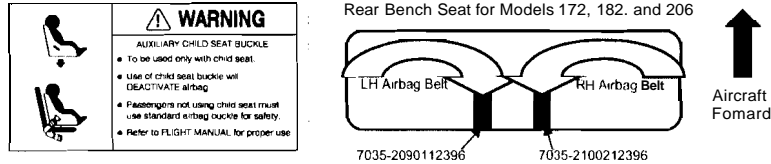
The AAIR V23 is a self-contained, modular, three-point restraint system that improves protection from serious head-impact injury during a survivable aircraft crash by inclusion of an inflatable airbag to the lapbelt portion of the three-point restraint. An unbuckled restraint airbag will not inflate

SECTION 2 LIMITATIONS

A child safety seat shall not be used with the V23 AAIR System in the front seat (co-pilot). A child safety seat may be used in the rear seat positions only by attaching the child seat with an auxiliary child seat buckle. The standard inflatable restraint buckle cannot be used to secure a child safety seat.

The Auxiliary Child Seat Buckle adapter (PIN 7035-20901 12396 (LH) and 7035-2100212396 (RH)) secures a Child Safety Seat to either left or right positions of the Rear Seat for all models (see warning label below). It is typically stored under the cushion and is found in the center of the seat adjacent to the standard AAIR End-Release Buckle Assembly, identifiable by part number (above) and attaches to the Airbag Belt portion of the Seatbelt Airbag Assembly (see diagram).

The restraint in an empty co-pilot or passenger seat must not be buckled so as to prevent inflation of the lapbelt airbag in the unoccupied seat.



SECTION 3 EMERGENCY PROCEDURES

No Change

SECTION 4 NORMAL PROCEDURES

To activate the system, join (buckle) the three-point restraint in the same manner as any other three-point seatbelt. An empty co-pilot or passenger seat restraint must not be buckled

SECTION 5 PERFORMANCE

No Change

SECTION 6 WEIGHT AND BALANCE/EQUIPMENT LIST

For complete information of the AAIR V23 System effect on weight and balance loading to the aircraft please refer to AMSAFE Aviation's Weight and Balance Information Report Document No E508952 Below is a summary useful for loading and Center of Gravity calculations

Models 172R, 172S – with optional rear seat bench AAIR System

Empty Weight	Arm	Moment	
7.638	57.928	442.454	AAIR System Difference Added
<b>1692.5 lbs</b>		<b>1701.138 lbs</b>	<b>New Empty Weight</b>

Models 172R, 172S – without optional rear seat bench AAIR System

Empty Weight	Arm	Moment	
3.848	45.397	174.686	AAIR System Difference Added
<b>1692.5 lbs</b>		<b>1696.348 lbs</b>	<b>New Empty Weight</b>

Models 182S, 182T, T182T – with rear seat bench AAIR System

Empty Weight	Arm	Moment	
7.638	57.682	440.578	AAIR System Difference Added
<b>2029 lbs</b>		<b>2036.638 lbs</b>	<b>New Empty Weight</b>

Models 182S, 182T, T182T – without rear seat bench AAIR System

Empty Weight	Arm	Moment	
3.848	41.798	160.838	AAIR System Difference Added
<b>2029 lbs</b>		<b>2032.848 lbs</b>	<b>New Empty Weight</b>

Models 206H, T206H – with optional rear seat bench AAIR System

Empty Weight	Arm	Moment	
11.54	69.782	805.284	AAIR System Difference Added
<b>2210 lbs</b>		<b>2221.54 lbs</b>	<b>New Empty Weight</b>

Models 206H, T206H – without optional rear seat bench AAIR System

Empty Weight	Arm	Moment	
7.75	53.852	417.350	AAIR System Difference Added
<b>2210 lbs</b>		<b>2217.75 lbs</b>	<b>New Empty Weight</b>

For all models the change is less than 1% of the CG range at gross weight which is insignificant and will cause no CG issues Refer to the above report for the exact details



**YINGLING'**  
A V I A T I O N

**FAA APPROVED**

**AIRPLANE FLIGHT MANUAL SUPPLEMENT**

**FOR**

**C.A.P. SPECIAL MISSIONS EQUIPMENT**

**CESSNA 182T w/NAV III Avionics & Dual Audio**

**SIN** 18281780

**REG. NO.** N780CP

This supplement must be attached to the FAA Approved Airplane Flight Manual when the airplane is modified by the installation of the CAP Special Missions Avionics in accordance with STC SA1216W1. The information contained herein supplements or supercedes the basic manual only in those areas listed herein. For limitations, procedures, and performance information not contained in this supplement, consult the basic Airplane Flight Manual.

FAA APPROVED

Margaret Kline, Manager  
Wichita Aircraft Certification Office  
Federal Aviation Administration  
Wichita, KS 67209

DOCUMENT AFMS16201308  
REV A  
FAA APPROVED DATE: March 29, 2005





## **SECTION 1 - GENERAL**

The modifications incorporated as part of the CAP Special Missions Avionics Package in a Cessna 182T w/NAV III 8 Dual Audio are as follows:

- SECOND GARMIN GMA-1347 AUDIO PANEL
- PAX 1 COMMUNICATIONS MODS
- BECKER SAR-DF517 DIRECTION FINDING SYSTEM
- TECHNISONIC TDFM-136 VHF/FM RADIO SYSTEM
- KGS 28-14 POWER CONVERTER SYSTEM
- Optional ARNAV RCOM 100 SATCOM
- Com 3 FM/UHF AUDIO SWITCH
- Artex 110-406 ELT System

The # 2 GMA-1347 Audio/Marker is powered from the # 2 Avionics Bus via the # 2 Audio circuit breaker. The Becker DF. Technisonic TDFM, and RCOM 100 SATCOM are powered from the # 2 Avionics Bus through the MISSION MASTER CB/Switch in the CO-PILOT Circuit Breaker Panel. The KGS Power Converter is powered from the #3 28VDC bus through a circuit breaker switch. The Pax 1 communications mods are powered from the # 2 Avionics Bus through the AUD Relay Circuit Breaker.

### **DUAL GARMIN GMA-1347 AUDIO PANEL**

**NOTE:** Refer to the **G1000** Audio Panel Pilot's Guide (Garmin PIN 190-00378-00, **Rev. B** or later applicable version) for complete operational instructions.

The two GMA-1347 Audio Panels are designated as follows:

1. GMA # 1: Left audio panel
2. GMA # 2: Right audio panel

In dual audio configuration, the Pilot always hears the audio selected on GMA #1 and the Co-Pilot always hears the audio selected on GMA #2.

The Intercom system provides four modes of isolation: Pilot, Copilot, Crew, & All. In Pilot mode, the Pilot is isolated from all other occupants of the aircraft while the Copilot and passengers share the other intercom loop. In Copilot mode, the Copilot is in his own intercom loop while the Pilot and passengers share the other intercom loop. In Crew isolation mode, the Pilot and Copilot can communicate with each other and the passengers are isolated from the crew but able to communicate with each other. In All mode, there is no isolation and every occupant can communicate with every other occupant.







Table of Contents

REVISIONS: .....2

TABLE OF CONTENTS .....3

SECTION 1 \_ GENERAL .....4

SECTION 2 – LIMITATIONS .....9

2.1 Dual Garmin GMA-1347 Audio Panel Limitations .....9

2.1.1 GMA-1347 Audio Panel User's Manual .....9

2.2 PAX 1 Communications Modifications Limitations ..... 9

2.3 Becker DF System Limitations .....9

2.3.1 Becker DF System User Manual ..... 9

2.4 Technisonic TDFM-136 VHF/FM System Limitations..... 9

2.4.1 TDFM-136 User Manual ..... 9

2.5 KGS Power Converter Limitations .....9

2.6 ARNAV RCOM 100 Limitations .....9

2.7 Optional COM 3 FM/UHF Audio Switch Limitations ..... 10

2.8 Artex 110406 ELT System..... 10

SECTION 3 – EMERGENCY PROCEDURES .....11

3.1 Abnormal Procedures ..... 11

3.1.1 General .....11

3.1.2 Electrical Problems .....11

3.1.3 Artex ELT Abnormal .....11

3.2 Emergency Procedures .....11

3.2.1 ARTEX ELT Emergency Procedures ..... 11

SECTION 4 – NORMAL PROCEDURES .....13

4.1 Dual GMA-1347 Audio Panel Normal Operation ..... 13

4.1.1 General ..... 13

4.2 PAX 1 Communications Modifications Normal Operation .....13

4.2.1 Operation ..... 13

4.3 Becker DF System Normal Operation .....13

4.3.1 General ..... 13

4.4 Technisonic TDFM-136 VHF/FM System Normal Operation .....13

4.4.1 General ..... 13

4.5 KGS Power Converter ..... 14

4.5.1 Operation ..... 14

4.6 ARNAV RCOM 100 Normal Operation ..... 14

4.6.1 General ..... 14

4.7 Optional COM 3 FM/UHF Audio Switch Normal Operation ..... 14

4.7.1 Operation ..... 14

4.8 ARTEX ELT Normal Operation ..... 14

4.8.1 Operation ..... 14

SECTION 5 – PERFORMANCE .....15

SECTION 6 \_ WEIGHT AND BALANCE .....15

FAA APPROVED DATE. March 29, 2005



**SECTION 1 – GENERAL , continued**

**DUAL GARMIN GMA-1347 AUDIO PANEL, continued**

The Pilot and Copilot (or Rear Left Seat passenger [Seat 3] when enabled) positions shall be able to independently choose which receivers to monitor. COM1, COM2, COM3 (FM or UHF when selected). NAV1, NAV2, TEL. & AUX (DF). The primary (mic selected) COM will automatically be selected along with the corresponding transmitter.

PA, DME, ADF, PLAY. & COM1/2 on both GMA #1 and GMA #2 are disabled. In this installation, pressing the PA, DME, ADF, PLAY. & COM1/2 keys on either GMA #1 or GMA #2 will not light the corresponding annunciator light.

In dual audio panel configuration the DISPLAY BACKUP and SPKR buttons operate on the pilot side only. The SPKR & red Display Backup switches on GMA #2 are disabled.

The TEL interface is full duplex and therefore has no transmit priority. Whoever is connected to the phone will transmit whenever they speak and multiple inputs will simply be transmitted simultaneously.

The TEL interface is designed so that in conjunction with ICS Isolation every group in the airplane can either talk on the phone individually or collectively. The easiest way to remember this is:

- If TEL interface is lit (LED on) – The Pilot will hear TEL audio
- If TEL interface is not lit (LED off) – The Pilot will not hear TEL audio (others do)
- If no TEL audio is desired at all, the satellite telephone must be off

The states of these switches are:

TEL audio heard is by:	TEL selected (TEL illuminated)				TEL not selected (TEL not illuminated)			
	No ISO	Pilot ISO	Copilot ISO	Crew ISO	No ISO	Pilot ISO	Copilot ISO	Crew ISO
Pilot	Yes	Yes	Yes	Yes	No	No	No	No
Copilot	Yes	No	No	Yes	No	Yes	Yes	No
Passengers	Yes	No	Yes	No	No	Yes	No	Yes

SECTION 1 – GENERAL, continued

**DUAL GARMIN GMA-1347 AUDIO PANEL, continued**

NOTES:

- Interference may be observed on the receiving **VHF** COM transceiver during transmission on the opposite **VHF** COM transceiver. This effect will be more noticeable when the selected frequencies are within **2 MHz** or less of each other.
- With optional **UHF** Transceiver, **UHF** transmission of frequencies between **329.150** and **335.000 MHz** may interfere with glideslope navigation signals.
- With optional **UHF** Transceiver, UHF and VHF communication may interfere **with** each other when operations are conducted on or near harmonic frequency pairs (for **example, 118.200 MHz VHF** and **236.400 MHz UHF**).

**PAX 1 COMMUNICATIONS MODS**

The PAX 1 communications modification allows radio transmissions from the Rear Left Passenger, (seat 3). A switch/annunciator located in the avionics sub-panel labeled "SEAT 2/3 ", and external relay are used to connect either the Passenger, or Copilot to the Copilot input on the GMA-# 2. When the Passenger is connected to the Copilot input, the Copilot will be connected to the Passenger input to keep intercom capability and receive selected radio transmissions. When Seat 3 is selected, the Copilot cannot transmit on the selected radio. The states of this switch are:

States of SEAT 2/3 SWITCH	CONNECTION TO GMA-1347 # 2
Seat 2 on Co-Pilot; Seat 3 on Passenger	Seat 2 is connected to the Co-Pilot input on GMA # 2 Seat 3 is connected to a passenger input on GMA # 2
Seat 3 on Co-Pilot; Seat 2 on Passenger	Seat 3 is connected to the Co-Pilot Input on GMA # 2 Seat 2 is connected to a passenger input on GMA # 2

The Pilot will have transmit priority on Com1. The Copilot or rear left Seat Passenger (when selected) - (Seat 2 or Seat 3) will have transmit priority on Com 2. Com 3 transmit prioritization does not exist.



## **SECTION 1 – GENERAL, continued**

### **BECKER SAR-DF517 DIRECTION FINDING SYSTEM**

The Becker SAR-DF517 direction finding system consists of a Receiver/Antenna located on the aircraft empennage and an indicator/controller located in the Copilot's instrument panel. The System is design to point to the origin of radio signals. The audio from the unit is supplied to the audio panels and is controlled at the audio panels through the AUX switch on the audio panels.

### **TECHNISONIC TDFM-136 VHF/FM RADIO SYSTEM**

The Technisonic TDFM-136 VHF/FM radio is located in the Copilot's instrument panel and is controlled on the Audio Panels as COM 3.

### **KGS 28-14 POWER CONVERTER SYSTEM**

The KGS 24-14VDC power conversion system provides 14VDC to a connector at the Pax 2 seat. The system is activated through a circuit breaker switch in the Avionics Circuit Breaker Panel located in the Copilot Instrument Panel. The output of the system is regulated to 20 amps by a circuit breaker located just aft of the aft cabin wall in the avionics rack area.

### **ARNAV RCOM 100 SATCOM (optional)**

The optional ARNAV RCOM 100 SATCOM consists of a Receiver/Transmitter located in the aft baggage area, an Antenna located on the aircraft empennage, and a PTA-12 Telephone Dialer located in the Copilot's instrument panel. The audio from the unit is supplied to the audio panels and is controlled at the audio panels through the TEL switch on the audio panels

### **COM 3 FMIUHF AUDIO SWITCH**

The COM 3 FM/UHF switch annunciator is located in the avionics sub-panel and labeled "COM 3 FMIUHF". Selection of the desired radio allows control of either the TDFM-136 VHF/FM radio or optional UHF radio at the audio panels on COM 3.

### **ARTEX 110-406 ELT**

The ARTEX 110-406 ELT equipment installed consists of the following equipment:

- ARTEX 406 MHZ ELT
- ARTEX NAVIGATION INTERFACE

**SECTION 1 – GENERAL, continued**

**ARTEX 110-406 ELT, continued**

Power for the ARTEX Nav Interface is managed through the existing # 2 Avionics Master Switch. The only circuit breaker not located on the Radio Busses is the keep-alive power for the ELT. It is connected with battery direct power. Circuit breakers for the equipment are located in the Copilot's instrument panel.

The ARTEX ELT located aft of the cabin is equipped with a remote switch in the Copilot's instrument panel for testing, status, and operation.

FAA APPROVED DATE: March 29, 2005

**SECTION 3- EMERGENCY PROCEDURES, continued**

**3.2 EMERGENCY PROCEDURES, continued**

**3.2.1 Artex ELTEmergency, continued**

3. If airplane radio is operable and can safely be used (no threat of fire or explosion), turn ON and select 121.5 MHz. If the ELT can be heard transmitting, it is working properly.
4. Ensure that the ELT antenna is clear of obstructions

NOTE: When the ELT is activated, a decreasing tone will be heard before the typical warbling tone begins.

5. Prior to sighting the rescue aircraft—conserve the aircraft battery. Do not activate the radio transceiver.
6. After sighting the rescue aircraft—position switch /annunciator to OFF position to prevent radio interference. Attempt contact with the rescue aircraft with the radio transceiver set to a frequency of **121.5 MHz**. If no contact is established return the remote switch to the ON position immediately.
7. Following rescue—Position remote switch annunciator to the OFF position, terminating emergency transmissions.

# Supplemental Type Certificate

(Continuation Sheet)

Number SA00216WJ

Date of Issuance: November 25, 2003  
Date Amended: April 12, 2005

Certification Basis (continued from Page 1):

In addition to the requirements as shown in Type Certificate 3A13, with respect to the modifications of this STC, the applicant has voluntarily complied with later amendments of some regulations. For this STC, the applicant has complied with the following Sections of Title 14 of the Code of Federal Regulations, Part 23 effective February 1, 1965, as amended by Amendments stated as follows: 23.1351(a)(1)(a2)), 23.1359 (a,b,c), and 23.1431 (b) (Amdt. 23-49), 23.1529 (Amdt. 23-26)

Description of Type Design Change (continued from Page 1):

Configuration 1 - CAP Special Missions Equipment interfaced to UPSAT Avionics Package

Installation Data

AFMS

Installation of CAP Special Missions Equipment interfaced to UPSAT Avionics Package in accordance with Yinglong Aviation Master Drawing List, MDL2701-34351, Revision A dated September 18, 2003, or later FAA approved revision.	FAA Approved Airplane Flight Manual Supplement for CAP Special Missions Equipment, Cessna 182F, Document Number FMS2701-34351, Revision JR, signed November 25, 2003, or later FAA Approved revision.
Note: This configuration is identified as "1" (MDL2701-34351-1) in the Master Document List.	

Configuration 2 - CAP Special Missions Equipment interfaced to Cessna NAV III Avionics Package

Installation Data

AFMS

Installation of CAP Special Missions Equipment interfaced to Cessna NAV III Avionics Package (with Dual Audio) in accordance with Yinglong Aviation Master Drawing List, MDL2701-34351, Revision B dated April 6, 2005, or later FAA approved revision.	FAA Approved Airplane Flight Manual Supplement for CAP Special Missions Equipment, Cessna 182F w/ NAV III Avionics & Dual Audio, Document Number AFMS182F1385, Revision A, signed March 29, 2005, or later FAA Approved Revision.
Note: This configuration is identified as "2" (MDL2701-34351-2) in the Master Document List.	

END

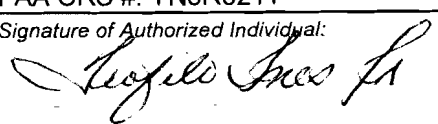
# Yingling Aircraft, Inc.

P.O. Box 9248 - Wichita, KS 67277 - 316-943-3246 - Fax: 316-945-5052  
 WWW.YINGLINGAVIATION.COM - FAA CRS #: YN8R621Y - JAA #: 5224

YINGLING  
 AVIATION

## Major Alteration Weight & Balance and Installed Equipment Data Record

<b>Date:</b>	<b>Aircraft Make &amp; Model:</b>	<b>Registration Number:</b>	<b>Serial Number:</b>
411212006	Cessna 182T	N780CP	18281780
<b>Name:</b>			
<b>Address:</b>			

Description of Action Performed	Weight	Arm	Moment
<b>Aircraft as per Weight &amp; Balance Dated:</b>			
3/7/2006	2,020.40	38.63	78,040.00
<b>Removed:</b>			
Pointer ELT p/n 3000.11 s/n 334713	1.90	151.00	286.90
			0.00
			0.00
			0.00
			0.00
			0.00
			0.00
			0.00
<b>Installed:</b>			
Becker SAR-DF, DCU 537 p/n 0531-0324-924 s/n 403	0.60	16.20	9.72
Becker SAR-DF, Antenna p/n 0531-316-924 s/n 403	4.41	148.00	652.68
ARTEX ELT-NAV Interface p/n 453-6500 s/n 5002	2.70	146.50	395.55
ARTEX 121.5/243 Antenna p/n 110-324	0.10	147.00	14.70
ARTEX 406 Antenna p/n 110-329	0.04	128.20	5.13
ARTEX ELT 453-5012-(366) s/n 12060	4.50	148.00	666.00
ARTEX Rmt. Sw. p/n 345-6196-04	0.06	16.50	0.99
TDFM-136 FM XCVR p/n 981087-1 s/n FD1729	3.50	13.75	48.13
CI292-3 Antenna s/n 5091438	0.50	52.50	26.25
CI292-3 Antenna s/n 5091439	0.50	52.50	26.25
RG 28 Power Converter s/n 292	1.30	146.00	189.80
Pulselight p/n 1210/2405-2A s/n J06923	0.62	5.00	3.10
GMA1347 p/n 010-00267-00 s/n 47106235	2.60	14.20	36.92
AIS200-35 s/n 11792	0.45	11.50	5.18
RCOM 100 XCVR p/n 4538050 (provisioned for)	0.00	0.00	0.00
RCOM Antenna p/n 4G1625LL-A1-XT-1F1 s/n 12784	0.40	128.20	51.28
CI509 Marker Splitter s/n 5082874	0.15	10.50	1.58
NAT Dialer p/n PTA12-000 s/n 1452	0.63	15.00	9.45
Misc. wire, hdwr., etc.	12.40	75.79	939.80
<b>New Totals:</b>	<b>2,053.96</b>	<b>39.36</b>	<b>80,835.59</b>
Gross Ramp Weight:	3,110.00	Work Order #: AVI 5291	
Gross Take Off Weight:	3,100.00	FAA CRS #: YN8R621Y	
Empty Weight:	2,053.96	Signature of Authorized Individual:	
Useful Load at Ramp:	1,056.04		
Useful Load at Take Off:	1,046.04		
C.G. (Arm):	39.36		







## MAJOR REPAIR AND ALTERATION (Airframe, Powerplant, Propeller, or Appliance!)

Form Approved  
OMB No. 2120-0020

For FAA Use Only  
Office Identification

**INSTRUCTIONS** Print or type all entries. See FAR 43.9, FAR 43 Appendix B, and AC 43.9-1 (or subsequent revision thereof) for instructions and disposition of this form. This report is required by law (49 U.S.C. 1421). Failure to report can result in a civil penalty not to exceed \$1,000 for each such violation (Section 901 Federal Aviation Act 1958).

1. Aircraft	Make <b>CESSNA</b> Serial No. <b>18281780</b>	Model <b>182T</b> Nationality and Registration Mark <b>N780CP</b>
2. Owner	Name (As shown on registration certificate) <b>CESSNA AIRCRAFT COMPANY</b>	Address (As shown on registration certificate) <b>PO BOX 7704 WICHITA, KANSAS 67277-7704</b>

3. For FAA Use Only

4. Unit Identification				5. Type	
Unit	Make	Model	Serial No.	Repair	Alteration
AIRFRAME	~~~~~(As described in item 1 above)~~~~~			<input type="checkbox"/>	<input checked="" type="checkbox"/>
POWERPLANT				<input type="checkbox"/>	<input type="checkbox"/>
PROPELLER				<input type="checkbox"/>	<input type="checkbox"/>
APPLIANCE	Type			<input type="checkbox"/>	<input type="checkbox"/>
	Manufacturer			<input type="checkbox"/>	<input type="checkbox"/>

**6. Conformity Statement**

<b>A Agency's Name and Address</b> Yingling Aircraft, Inc. 2010 Airport Road Wichita, KS 67277	<b>B Kind of Agency</b> <input type="checkbox"/> U.S. Certified Mechanic <input type="checkbox"/> Foreign Certified Mechanic <input checked="" type="checkbox"/> Certified Repair Station <input type="checkbox"/> Manufacturer	<b>C Certificate No</b> YN8R621Y Radio Class I, II, III
---	---	---

**D** I certify that the repair and/or alteration made to the unit(s) identified in item 4 above and described on the reverse or attachments hereto have been made in accordance with the requirements of Part 43 of the U.S. Federal Aviation Regulations and that the information furnished herein is true and correct to the best of my knowledge.

<b>Date</b> April 12, 2006	<b>Signature of Authorized Individual</b> <div style="text-align: center;"> <b>TEOFILO INES JR</b> </div>
-------------------------------	--

**7. Approval for Return to Service**

Pursuant to the authority given persons specified below, the unit identified in item 4 was inspected in the manner prescribed by the Administrator of the Federal Aviation Administration and is  APPROVED  REJECTED

<input type="checkbox"/> FAA Fit Standards Inspector <input type="checkbox"/> FAA Designee	<input type="checkbox"/> Manufacturer <input checked="" type="checkbox"/> Repair Station	<b>Inspection Authorization</b> <input type="checkbox"/> Person Approved by Transport Canada Airworthiness Group	<b>Other (Specify)</b>
<b>Date of Approval or Rejection</b> April 12, 2006	<b>Certificate or Designation No</b> YN8R621Y	<b>Signature of Authorized Individual</b> <div style="text-align: center;"> <b>ROBERT B. GALLOR</b> </div>	



